



EDI Implementation Documentation

EDIFACT 99B DESADV

based on

DESADV

Despatch advice message

UN D.99B S4

- **Structure Chart**
- **Branching Diagram**
- **Segment Details**

Version 2
Variant 0
Issue date 23.07.2015

Structure / Table of Contents

Counter	No	Tag	St	MaxOcc	Level	Content
	0000	1 UNA	C	1	0	Service string advice
	0000	2 UNB	M	1	0	Interchange header
	0010	3 UNH	M	1	0	Message header
	0020	4 BGM	M	1	0	Beginning of message
	0030	5 DTM	C	10	1	Date/time/period
	0030	6 DTM	C	10	1	Date/time/period
	0030	7 DTM	C	10	1	Date/time/period
	0030	8 DTM	C	10	1	Date/time/period
	0050	9 MEA	C	5	1	Measurements
	0050	10 MEA	C	5	1	Measurements
	0050	11 MEA	C	5	1	Measurements
	0080	SG1	C	10	1	RFF-DTM
	0090	12 RFF	M	1	1	Reference
	0100	13 DTM	C	1	2	Date/time/period
	0080	SG1	C	10	1	RFF-DTM
	0090	14 RFF	M	1	1	Reference
	0100	15 DTM	C	1	2	Date/time/period
	0110	SG2	C	99	1	NAD-LOC-SG4
	0120	16 NAD	M	1	1	Name and address
	0130	17 LOC	C	10	2	Place/location identification
	0170	SG4	C	10	2	CTA-COM
	0180	18 CTA	M	1	2	Contact information
	0190	19 COM	C	5	3	Communication contact
	0110	SG2	C	99	1	NAD
	0120	20 NAD	M	1	1	Name and address
	0110	SG2	C	99	1	NAD-LOC
	0120	21 NAD	M	1	1	Name and address
	0130	22 LOC	C	10	2	Place/location identification
	0390	SG10	C	9999	1	CPS-SG17
	0400	23 CPS	M	1	1	Consignment packing sequence
	0650	SG17	C	9999	2	LIN-PIA-PIA-IMD-IMD-QTY-GIN-DTM-SG18-SG18
	0660	24 LIN	M	1	2	Line item
	0670	25 PIA	C	10	3	Additional product id
	0670	26 PIA	C	10	3	Additional product id
	0680	27 IMD	C	25	3	Item description
	0680	28 IMD	C	25	3	Item description
	0700	29 QTY	C	10	3	Quantity
	0720	30 GIN	C	100	3	Goods identity number
	0750	31 DTM	C	5	3	Date/time/period

Counter = Counter of segment/group within the standard
 No = Consecutive segment number
 MaxOcc = Maximum occurrence of the segment/group

St = Status
 EDIFACT: M=Mandatory, C=Conditional
 User specific: R=Required, O=Optional, D=Dependent,
 A=Advised, N=Not used

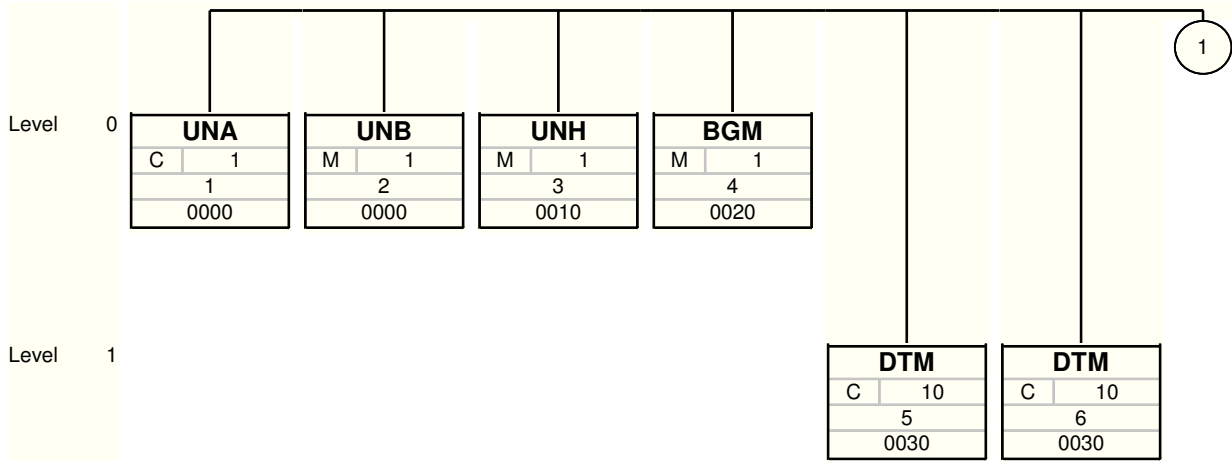
Structure / Table of Contents

Counter	No	Tag	St	MaxOcc	Level	Content
	0820	SG18	C	99	3	RFF-DTM
	0830	32 RFF	M	1	3	Reference
	0860	33 DTM	C	1	4	Date/time/period
	0820	SG18	C	99	3	RFF-DTM
	0830	34 RFF	M	1	3	Reference
	0860	35 DTM	C	1	4	Date/time/period
	1150	36 UNT	M	1	0	Message trailer
	0000	37 UNZ	M	1	0	Interchange trailer

Counter = Counter of segment/group within the standard
 No = Consecutive segment number
 MaxOcc = Maximum occurrence of the segment/group

St = Status
 EDIFACT: M=Mandatory, C=Conditional
 User specific: R=Required, O=Optional, D=Dependent,
 A=Advised, N=Not used

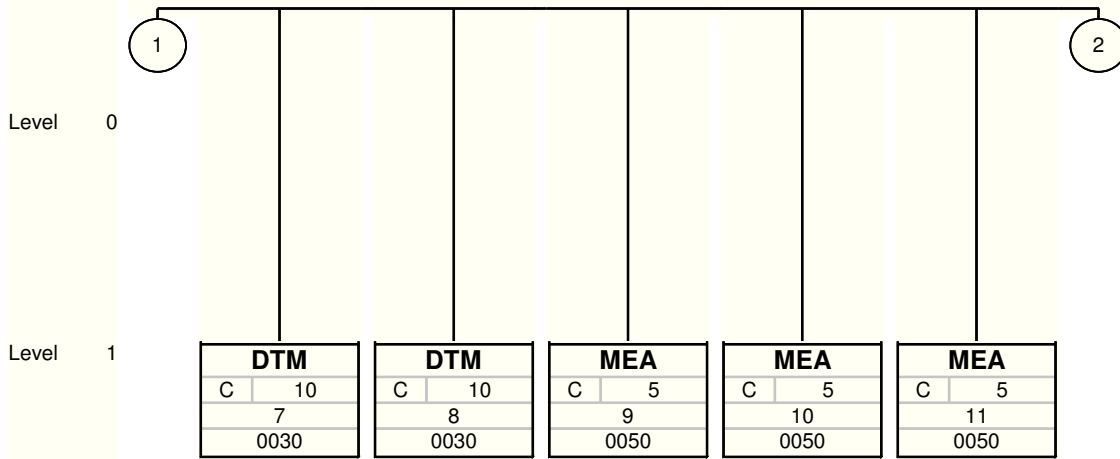
Branching Diagram of Used Segments/Groups



Tag
St MaxOcc
No
Counter

Tag = Segment/Group Tag
 St = Status (M=Mandatory, C=Conditional, R=Required, O=Optional, A=Advised, D=Dependent)
 MaxOcc = Maximum occurrence of the segment/group
 No = Consecutive segment number
 Counter = Counter of segment/group within the standard

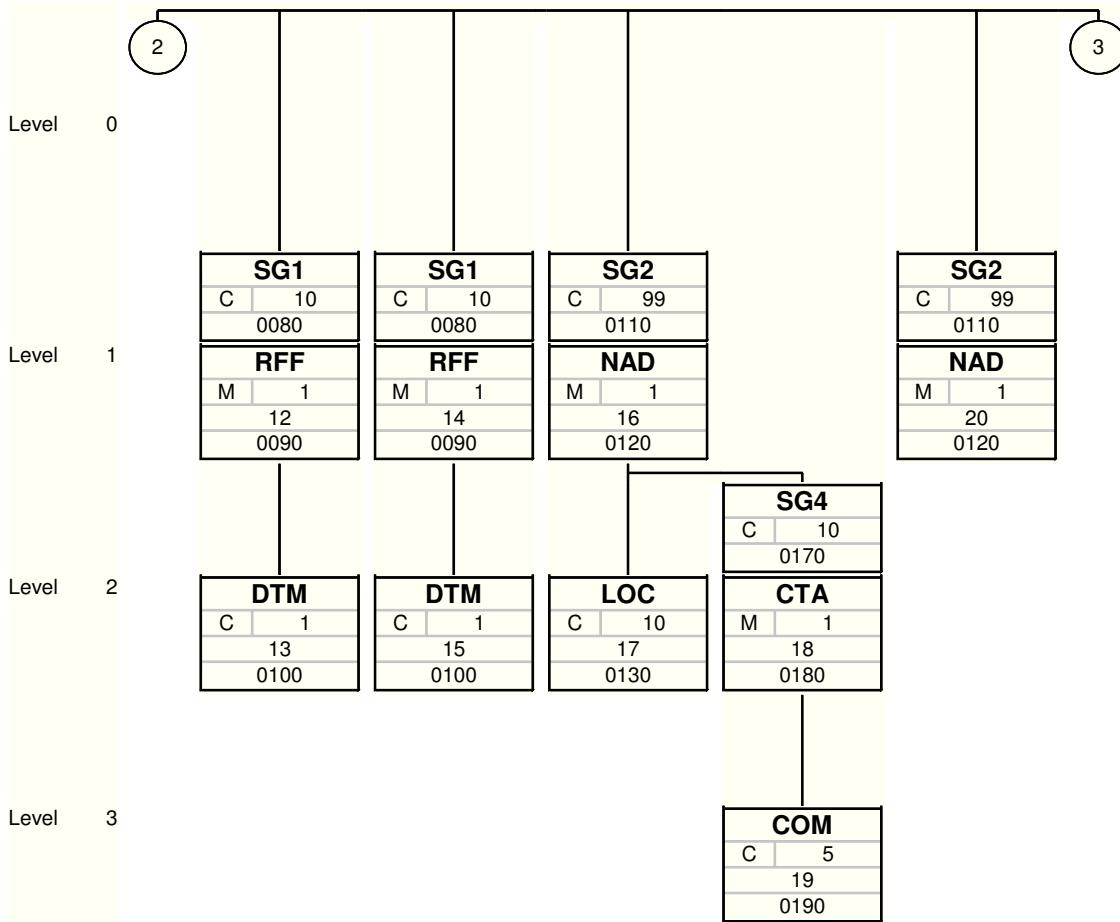
Branching Diagram of Used Segments/Groups



Tag
St MaxOcc
No
Counter

Tag = Segment/Group Tag
 St = Status (M=Mandatory, C=Conditional, R=Required, O=Optional, A=Advised, D=Dependent)
 MaxOcc = Maximum occurrence of the segment/group
 No = Consecutive segment number
 Counter = Counter of segment/group within the standard

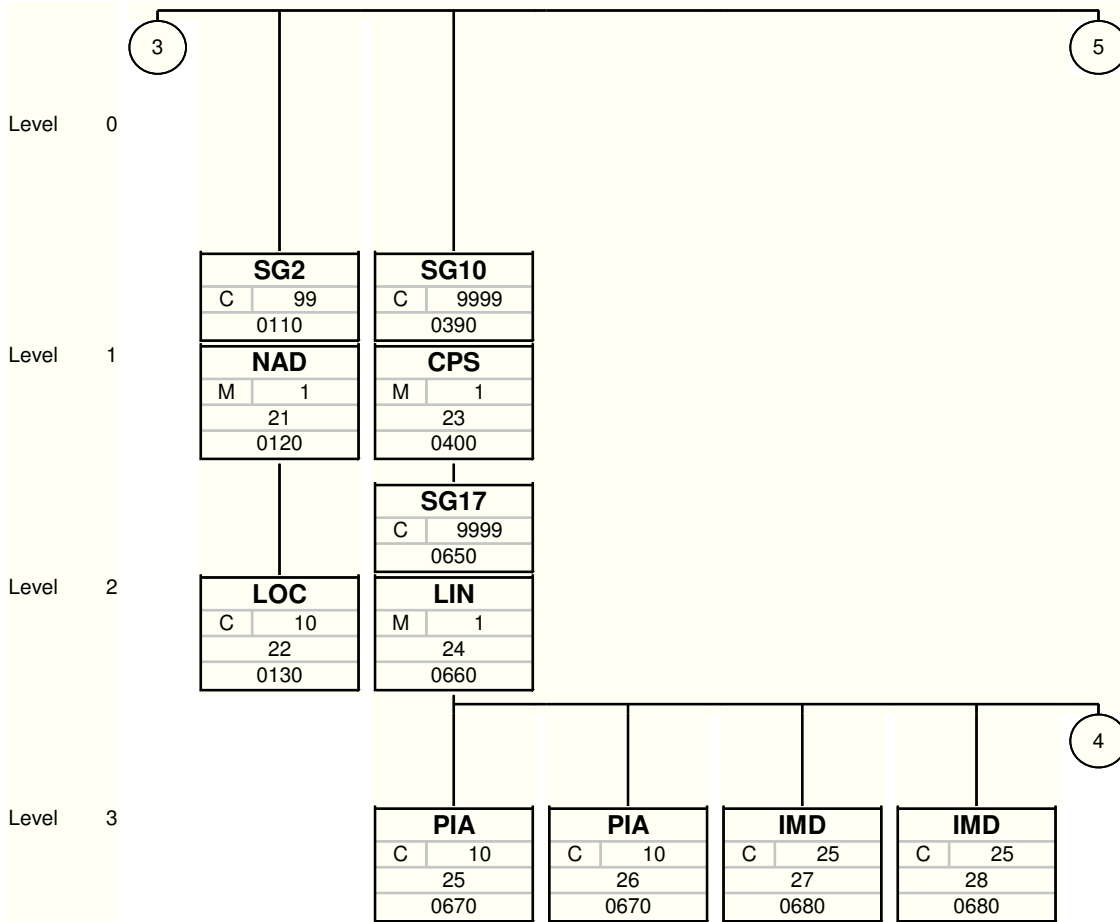
Branching Diagram of Used Segments/Groups



Tag
St MaxOcc
No
Counter

Tag = Segment/Group Tag
 St = Status (M=Mandatory, C=Conditional, R=Required, O=Optional, A=Advised, D=Dependent)
 MaxOcc = Maximum occurrence of the segment/group
 No = Consecutive segment number
 Counter = Counter of segment/group within the standard

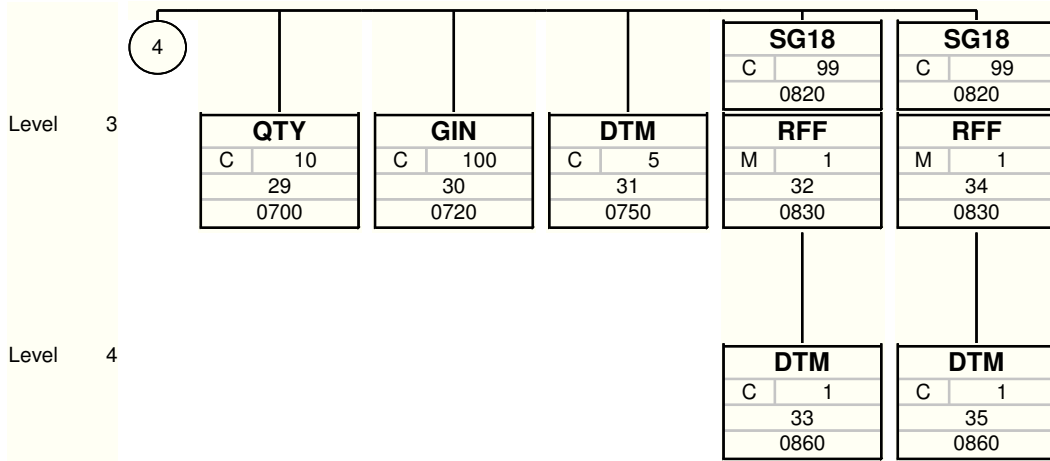
Branching Diagram of Used Segments/Groups



Tag
St MaxOcc
No
Counter

Tag = Segment/Group Tag
 St = Status (M=Mandatory, C=Conditional, R=Required, O=Optional, A=Advised, D=Dependent)
 MaxOcc = Maximum occurrence of the segment/group
 No = Consecutive segment number
 Counter = Counter of segment/group within the standard

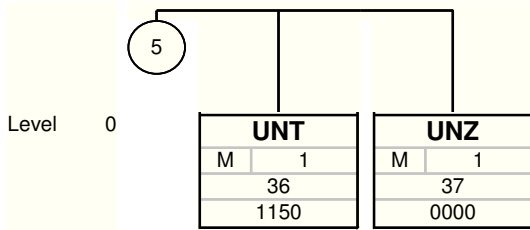
Branching Diagram of Used Segments/Groups



Tag
St MaxOcc
No
Counter

Tag = Segment/Group Tag
 St = Status (M=Mandatory, C=Conditional, R=Required, O=Optional, A=Advised, D=Dependent)
 MaxOcc = Maximum occurrence of the segment/group
 No = Consecutive segment number
 Counter = Counter of segment/group within the standard

Branching Diagram of Used Segments/Groups



Tag
St MaxOcc
No
Counter

Tag = Segment/Group Tag
 St = Status (M=Mandatory, C=Conditional, R=Required, O=Optional, A=Advised, D=Dependent)
 MaxOcc = Maximum occurrence of the segment/group
 No = Consecutive segment number
 Counter = Counter of segment/group within the standard

Segments

Counter	No	Tag	St	MaxOcc	Level	Name
0000	1	UNA	C	1	0	Service string advice

Standard			Implementation	
Tag	Name	St Format	St Format	Usage / Remark
UNA				
UNA1	Component data element separator	M an1	M an1	
UNA2	Data element separator	M an1	M an1	
UNA3	Decimal mark	M an1	M an1	
UNA4	Release character	M an1	M an1	
UNA5	Repetition separator	M an1	M an1	
UNA6	Segment terminator	M an1	M an1	

Remark:

Example:

UNA: + . ? ' |

No = Consecutive segment number
 MaxOcc = Maximum occurrence of the segment/group
 Counter = Counter of segment/group within the standard

St = Status
 EDIFACT: M=Mandatory, C=Conditional
 User specific: R=Required, O=Optional, D=Dependent,
 A=Advised, N=Not used

Segments

Counter	No	Tag	St	MaxOcc	Level	Name
0000	2	UNB	M	1	0	Interchange header

Standard			Implementation	
Tag	Name	St Format	St Format	Usage / Remark
UNB				
S001	Syntax identifier	M	M	UNOA UN/ECE level A 1 Version 1
0001	Syntax identifier	M a4	M a4	
0002	Syntax version number	M an1	M an1	
S002	Interchange sender	M	M	ZZZ Mutually defined
0004	Interchange sender identification	M an..35	M an..35	
0007	Identification code qualifier	C an..4	C an..4	
S003	Interchange recipient	M	M	ZZZ Mutually defined
0010	Interchange recipient identification	M an..35	M an..35	
0007	Identification code qualifier	C an..4	C an..4	
S004	Date and time of preparation	M	M	
0017	Date	M n8	M n8	
0019	Time	M n4	M n4	
0020	Interchange control reference	M an..14	M an..14	

Remark:

Example:

UNB+UNOA:1+STIHL:ZZZ+RECEIVER_ID:ZZZ+20150907:1150+83'

No = Consecutive segment number
 MaxOcc = Maximum occurrence of the segment/group
 Counter = Counter of segment/group within the standard

St = Status
 EDIFACT: M=Mandatory, C=Conditional
 User specific: R=Required, O=Optional, D=Dependent,
 A=Advised, N=Not used

Segments

Counter	No	Tag	St	MaxOcc	Level	Name
0010	3	UNH	M	1	0	Message header

Standard			Implementation	
Tag	Name	St Format	St Format	Usage / Remark
UNH				
0062	Message reference number	M an..14	M an..14	
S009	Message identifier	M	M	
0065	Message type	M an..6	M an..6	
0052	Message version number	M an..3	M an..3	
0054	Message release number	M an..3	M an..3	
0051	Controlling agency, coded	M an..3	M an..3	

Remark:
Example:

UNH+54321+DESADV:D:99B:UN'

No = Consecutive segment number
 MaxOcc = Maximum occurrence of the segment/group
 Counter = Counter of segment/group within the standard

St = Status
 EDIFACT: M=Mandatory, C=Conditional
 User specific: R=Required, O=Optional, D=Dependent,
 A=Advised, N=Not used

Segments

Counter	No	Tag	St	MaxOcc	Level	Name
0020	4	BGM	M	1	0	Beginning of message

Standard			Implementation	
Tag	Name	St Format	St Format	Usage / Remark
BGM				
C002	Document/message name	C	C	351 Despatch advice CDS Confirmation of despatch order CRT Confirmation of returns advice CBL Confirmation of order to block goods CUN Confirmation of order to unblock goods CS1 Confirmation of order to scrap goods from blocked stock CS2 Confirmation of order to scrap goods from blocked stock
1001	Document name code	C an..3	C an..3	
C106	Document/message identification	C	C	
1004	Document/message number	C an..35	C an..35	
1225	Message function code	C an..3	C an..3	9 Original

Remark:

In a case of despatch advice use 351 in 1001, in a case of confirmation of despatch order - CDS, confirmation of returns advice - CRT, confirmation of order to block goods - CBL, confirmation of order to unblock goods - CUN, confirmation of order to scrap goods from blocked stock - CS1, confirmation of order to scrap goods from blocked stock - CS2

Example:

BGM+351+0180000990+9'

No = Consecutive segment number
 MaxOcc = Maximum occurrence of the segment/group
 Counter = Counter of segment/group within the standard

St = Status
 EDIFACT: M=Mandatory, C=Conditional
 User specific: R=Required, O=Optional, D=Dependent,
 A=Advised, N=Not used

Segments

Counter	No	Tag	St	MaxOcc	Level	Name
0030	5	DTM	C	10	1	Date/time/period

Standard			Implementation	
Tag	Name	St Format	St Format	Usage / Remark
DTM				
C507	Date/time/period	M	M	
2005	Date/time/period function code qualifier	M an..3	M an..3	137 Document/message date/time
2380	Date/time/period value	C an..35	C an..35	
2379	Date/time/period format code	C an..3	C an..3	102 CCYYMMDD

Remark:

Example:

DTM+137:20150722:102'

No = Consecutive segment number
 MaxOcc = Maximum occurrence of the segment/group
 Counter = Counter of segment/group within the standard

St = Status
 EDIFACT: M=Mandatory, C=Conditional
 User specific: R=Required, O=Optional, D=Dependent,
 A=Advised, N=Not used

Segments

Counter	No	Tag	St	MaxOcc	Level	Name
0030	6	DTM	C	10	1	Date/time/period

Standard			Implementation	
Tag	Name	St Format	St Format	Usage / Remark
DTM				
C507	Date/time/period	M	M	
2005	Date/time/period function code qualifier	M an..3	M an..3	191 Delivery date/time, expected
2380	Date/time/period value	C an..35	C an..35	
2379	Date/time/period format code	C an..3	C an..3	204 CCYYMMDDHHMMSS

Remark:

The segment to be sent in the case of despatch advice/confirmation of despatch order

Example:

DTM+191:20150713220000:204'

No = Consecutive segment number
 MaxOcc = Maximum occurrence of the segment/group
 Counter = Counter of segment/group within the standard

St = Status
 EDIFACT: M=Mandatory, C=Conditional
 User specific: R=Required, O=Optional, D=Dependent,
 A=Advised, N=Not used

Segments

Counter	No	Tag	St	MaxOcc	Level	Name
0030	7	DTM	C	10	1	Date/time/period

Standard			Implementation	
Tag	Name	St Format	St Format	Usage / Remark
DTM				
C507	Date/time/period	M	M	
2005	Date/time/period function code qualifier	M an..3	M an..3	11 Despatch date and or time
2380	Date/time/period value	C an..35	C an..35	
2379	Date/time/period format code	C an..3	C an..3	204 CCYYMMDDHHMMSS

Remark:

The segment to be sent in the case of despatch advice/confirmation of despatch order

Example:

DTM+11:20150713220000:204'

No = Consecutive segment number
 MaxOcc = Maximum occurrence of the segment/group
 Counter = Counter of segment/group within the standard

St = Status
 EDIFACT: M=Mandatory, C=Conditional
 User specific: R=Required, O=Optional, D=Dependent,
 A=Advised, N=Not used

Segments

Counter	No	Tag	St	MaxOcc	Level	Name
0030	8	DTM	C	10	1	Date/time/period

Standard			Implementation	
Tag	Name	St Format	St Format	Usage / Remark
DTM				
C507	Date/time/period	M	M	
2005	Date/time/period function code qualifier	M an..3	M an..3	50 Goods receipt date/time
2380	Date/time/period value	C an..35	C an..35	
2379	Date/time/period format code	C an..3	C an..3	204 CCYYMMDDHHMMSS

Remark:

The segment to be sent in the case of confirmation of returns advice

Example:

DTM+50:20150713220000:204'

No = Consecutive segment number
 MaxOcc = Maximum occurrence of the segment/group
 Counter = Counter of segment/group within the standard

St = Status
 EDIFACT: M=Mandatory, C=Conditional
 User specific: R=Required, O=Optional, D=Dependent,
 A=Advised, N=Not used

Segments

Counter	No	Tag	St	MaxOcc	Level	Name
0050	9	MEA	C	5	1	Measurements

Standard			Implementation	
Tag	Name	St Format	St Format	Usage / Remark
MEA				
6311	Measurement attribute code	M an..3	M an..3	AAX Consignment measurement
C502	Measurement details	C	C	
6313	Measured attribute code	C an..3	C an..3	AAD Total gross weight
C174	Value/range	C	C	
6411	Measurement unit code	M an..3	M an..3	KGM kilogram
6314	Measurement value	C an..18	C an..18	

Remark:

The segment to be sent in case of despatch advice from Stihl

Example:

MEA+AAX+AAD+KGM: 59335.7'

No = Consecutive segment number
 MaxOcc = Maximum occurrence of the segment/group
 Counter = Counter of segment/group within the standard

St = Status
 EDIFACT: M=Mandatory, C=Conditional
 User specific: R=Required, O=Optional, D=Dependent,
 A=Advised, N=Not used

Segments

Counter	No	Tag	St	MaxOcc	Level	Name
0050	10	MEA	C	5	1	Measurements

Standard			Implementation	
Tag	Name	St Format	St Format	Usage / Remark
MEA				
6311	Measurement attribute code	M an..3	M an..3	AAX Consignment measurement
C502	Measurement details	C	C	
6313	Measured attribute code	C an..3	C an..3	AAC Total net weight
C174	Value/range	C	C	
6411	Measurement unit code	M an..3	M an..3	KGM kilogram
6314	Measurement value	C an..18	C an..18	

Remark:

The segment to be sent in case of despatch advice from Stihl

Example:

MEA+AAX+AAC+KGM: 48325 '

No = Consecutive segment number
 MaxOcc = Maximum occurrence of the segment/group
 Counter = Counter of segment/group within the standard

St = Status
 EDIFACT: M=Mandatory, C=Conditional
 User specific: R=Required, O=Optional, D=Dependent,
 A=Advised, N=Not used

Segments

Counter	No	Tag	St	MaxOcc	Level	Name
0050	11	MEA	C	5	1	Measurements

Standard			Implementation	
Tag	Name	St Format	St Format	Usage / Remark
MEA				
6311	Measurement attribute code	M an..3	M an..3	AAX Consignment measurement
C502	Measurement details	C	C	
6313	Measured attribute code	C an..3	C an..3	AAW Gross volume
C174	Value/range	C	C	
6411	Measurement unit code	M an..3	M an..3	LTR litre
6314	Measurement value	C an..18	C an..18	

Remark:

The segment to be sent in case of despatch advice from Stihl

Example:

MEA+AAW+AAW+LTR: 561926.4'

No = Consecutive segment number
 MaxOcc = Maximum occurrence of the segment/group
 Counter = Counter of segment/group within the standard

St = Status
 EDIFACT: M=Mandatory, C=Conditional
 User specific: R=Required, O=Optional, D=Dependent,
 A=Advised, N=Not used

Segments

Counter	No	Tag	St	MaxOcc	Level	Name
0080		SG1	C	10	1	RFF-DTM
0090	12	RFF	M	1	1	Reference

Standard			Implementation	
Tag	Name	St Format	St Format	Usage / Remark
RFF				
C506	Reference	M	M	
1153	Reference function code qualifier	M an..3	M an..3	DQ Delivery note number ALQ Returns notice number DM Document number
1154	Reference identifier	C an..35	C an..35	

Remark:

In a case of despatch advice/confirmation of despatch order use DQ in 1153, in case of confirmation of returns advice - ALQ, in case of confirmation of order to block/unblock goods - DM, in case of confirmation of order to scrap goods from blocked/available stock - DM

Example:

RFF+DQ:0180000990'

No = Consecutive segment number
MaxOcc = Maximum occurrence of the segment/group
Counter = Counter of segment/group within the standard

St = Status
EDIFACT: M=Mandatory, C=Conditional
User specific: R=Required, O=Optional, D=Dependent,
A=Advised, N=Not used

Segments

Counter	No	Tag	St	MaxOcc	Level	Name
0080		SG1	C	10	1	RFF-DTM
0100	13	DTM	C	1	2	Date/time/period

Standard			Implementation	
Tag	Name	St Format	St Format	Usage / Remark
DTM				
C507	Date/time/period	M	M	
2005	Date/time/period function code qualifier	M an..3	M an..3	137 Document/message date/time
2380	Date/time/period value	C an..35	C an..35	
2379	Date/time/period format code	C an..3	C an..3	102 CCYMMDD

Remark:

Example:

DTM+137:20150722:102'

No = Consecutive segment number
 MaxOcc = Maximum occurrence of the segment/group
 Counter = Counter of segment/group within the standard

St = Status
 EDIFACT: M=Mandatory, C=Conditional
 User specific: R=Required, O=Optional, D=Dependent,
 A=Advised, N=Not used

Segments

Counter	No	Tag	St	MaxOcc	Level	Name
0080		SG1	C	10	1	RFF-DTM The reference on a delivery note number of the Stihl's supplier in a case of despatch advice
0090	14	RFF	M	1	1	Reference

		Standard	Implementation	
Tag	Name	St Format	St Format	Usage / Remark
RFF				
C506	Reference	M	M	CU Consignor's reference number
1153	Reference function code qualifier	M an..3	M an..3	
1154	Reference identifier	C an..35	C an..35	

Remark:

The reference on a delivery note number of the Stihl's supplier in a case of despatch advice

Example:

RFF+CU:0310101'

No = Consecutive segment number
MaxOcc = Maximum occurrence of the segment/group
Counter = Counter of segment/group within the standard

St = Status
EDIFACT: M=Mandatory, C=Conditional
User specific: R=Required, O=Optional, D=Dependent,
A=Advised, N=Not used

Segments

Counter	No	Tag	St	MaxOcc	Level	Name
0080		SG1	C	10	1	RFF-DTM The reference on a delivery note number of the Stihl's supplier in a case of despatch advice
0100	15	DTM	C	1	2	Date/time/period

Standard			Implementation	
Tag	Name	St Format	St Format	Usage / Remark
DTM				
C507	Date/time/period	M	M	
2005	Date/time/period function code qualifier	M an..3	M an..3	137 Document/message date/time
2380	Date/time/period value	C an..35	C an..35	
2379	Date/time/period format code	C an..3	C an..3	102 CCYYMMDD

Remark:

The reference on a delivery note number of the Stihl's supplier in a case of despatch advice

Example:

DTM+137:20150317:102'

No = Consecutive segment number
MaxOcc = Maximum occurrence of the segment/group
Counter = Counter of segment/group within the standard

St = Status
EDIFACT: M=Mandatory, C=Conditional
User specific: R=Required, O=Optional, D=Dependent,
A=Advised, N=Not used

Segments

Counter	No	Tag	St	MaxOcc	Level	Name
	0110	SG2	C	99	1	NAD-LOC-SG4
	0120	16 NAD	M	1	1	Name and address

Standard			Implementation	
Tag	Name	St Format	St Format	Usage / Remark
NAD				
3035	Party function code qualifier	M an..3	M an..3	CZ Consignor
C082	Party identification details	C	C	92 Assigned by buyer or buyer's agent
3039	Party identifier	M an..35	M an..35	
3055	Code list responsible agency code	C an..3	C an..3	
C080	Party name	C	C	
3036	Party name	M an..35	M an..35	
C059	Street	C	C	
3042	Street and number/p.o. box	M an..35	M an..35	
3164	City name	C an..35	C an..35	
3251	Postal identification code	C an..17	C an..17	
3207	Country name code	C an..3	C an..3	AT AUSTRIA

Remark:

As consignor can serve the Stihl's supplier/customer or 3PL

Example:

NAD+CZ+0090119935::92++VIKING GmbH+Hans Peter Stihl-Strasse 5+Langkampfen-Kufstein++6336+AT'

No = Consecutive segment number
 MaxOcc = Maximum occurrence of the segment/group
 Counter = Counter of segment/group within the standard

St = Status
 EDIFACT: M=Mandatory, C=Conditional
 User specific: R=Required, O=Optional, D=Dependent,
 A=Advised, N=Not used

Segments

Counter	No	Tag	St	MaxOcc	Level	Name
	0110	SG2	C	99	1	NAD-LOC-SG4
	0130	17 LOC	C	10	2	Place/location identification

Standard			Implementation	
Tag	Name	St Format	St Format	Usage / Remark
LOC				
3227	Location function code qualifier	M an..3	M an..3	80 Place of despatch
C517	Location identification	C	C	
3225	Location name code	C an..25	C an..25	

Remark:

The segment to be sent in case of confirmation of despatch order for the 3PL as a consignor

Example:

LOC+80+GB5'

No = Consecutive segment number
 MaxOcc = Maximum occurrence of the segment/group
 Counter = Counter of segment/group within the standard

St = Status
 EDIFACT: M=Mandatory, C=Conditional
 User specific: R=Required, O=Optional, D=Dependent,
 A=Advised, N=Not used

Segments

Counter	No	Tag	St	MaxOcc	Level	Name
0170		SG4	C	10	2	CTA-COM
0180	18	CTA	M	1	2	Contact information

Standard			Implementation	
Tag	Name	St Format	St Format	Usage / Remark
CTA				
3139	Contact function code	C an..3	C an..3	CO Consignor

Remark:
The segment to be sent if the Stihl's supplier is a consignor

Example:
CTA+CO'

No = Consecutive segment number
MaxOcc = Maximum occurrence of the segment/group
Counter = Counter of segment/group within the standard

St = Status
EDIFACT: M=Mandatory, C=Conditional
User specific: R=Required, O=Optional, D=Dependent,
A=Advised, N=Not used

Segments

Counter	No	Tag	St	MaxOcc	Level	Name
0170		SG4	C	10	2	CTA-COM
0190	19	COM	C	5	3	Communication contact

Standard			Implementation	
Tag	Name	St Format	St Format	Usage / Remark
COM				
C076	Communication contact	M	M	
3148	Communication number	M an..512	M an..512	
3155	Communication number code qualifier	M an..3	M an..3	AM International telephone

Remark:
The segment to be sent if the Stihl's supplier is a consignor

Example:
COM+537269720:AM'

No = Consecutive segment number
MaxOcc = Maximum occurrence of the segment/group
Counter = Counter of segment/group within the standard

St = Status
EDIFACT: M=Mandatory, C=Conditional
User specific: R=Required, O=Optional, D=Dependent,
A=Advised, N=Not used

Segments

Counter	No	Tag	St	MaxOcc	Level	Name
	0110	SG2	C	99	1	NAD
	0120	20	NAD	M	1	1 Name and address

Standard			Implementation	
Tag	Name	St Format	St Format	Usage / Remark
NAD				
3035	Party function code qualifier	M an..3	M an..3	BY Buyer
C082	Party identification details	C	C	92 Assigned by buyer or buyer's agent
3039	Party identifier	M an..35	M an..35	
3055	Code list responsible agency code	C an..3	C an..3	
C080	Party name	C	C	
3036	Party name	M an..35	M an..35	
C059	Street	C	C	
3042	Street and number/p.o. box	M an..35	M an..35	
3164	City name	C an..35	C an..35	
3251	Postal identification code	C an..17	C an..17	
3207	Country name code	C an..3	C an..3	DE GERMANY

Remark:

Example:

NAD+BY+3245:::92++STIHLVU+STR+STADT++60311+DE'

No = Consecutive segment number
 MaxOcc = Maximum occurrence of the segment/group
 Counter = Counter of segment/group within the standard

St = Status
 EDIFACT: M=Mandatory, C=Conditional
 User specific: R=Required, O=Optional, D=Dependent,
 A=Advised, N=Not used

Segments

Counter	No	Tag	St	MaxOcc	Level	Name
	0110	SG2	C	99	1	NAD-LOC
	0120	21	NAD	M	1	Name and address

Standard			Implementation	
Tag	Name	St Format	St Format	Usage / Remark
NAD				
3035	Party function code qualifier	M an..3	M an..3	CN Consignee
C082	Party identification details	C	C	92 Assigned by buyer or buyer's agent
3039	Party identifier	M an..35	M an..35	
3055	Code list responsible agency code	C an..3	C an..3	
C080	Party name	C	C	
3036	Party name	M an..35	M an..35	
C059	Street	C	C	
3042	Street and number/p.o. box	M an..35	M an..35	
3164	City name	C an..35	C an..35	
3251	Postal identification code	C an..17	C an..17	
3207	Country name code	C an..3	C an..3	DE GERMANY

Remark:

As a consignee can serve Stihl's customer or 3PL

Example:

NAD+CN+3245787: : 92++CONSIGNEE+STR+STADT++60311+DE'

No = Consecutive segment number
 MaxOcc = Maximum occurrence of the segment/group
 Counter = Counter of segment/group within the standard

St = Status
 EDIFACT: M=Mandatory, C=Conditional
 User specific: R=Required, O=Optional, D=Dependent,
 A=Advised, N=Not used

Segments

Counter	No	Tag	St	MaxOcc	Level	Name
0110		SG2	C	99	1	NAD-LOC
0130	22	LOC	C	10	2	Place/location identification

Standard			Implementation	
Tag	Name	St Format	St Format	Usage / Remark
LOC				
3227	Location function code qualifier	M an..3	M an..3	4 Goods receipt place
C517	Location identification	C	C	
3225	Location name code	C an..25	C an..25	

Remark:

The segment to be sent in case of despatch advice/confirmation of returns advice, confirmation of order to block/unblock/scrap goods from blocked/available stock when 3PL is consignee

Example:

LOC+4+GB4 '

No = Consecutive segment number
 MaxOcc = Maximum occurrence of the segment/group
 Counter = Counter of segment/group within the standard

St = Status
 EDIFACT: M=Mandatory, C=Conditional
 User specific: R=Required, O=Optional, D=Dependent,
 A=Advised, N=Not used

Segments

Counter	No	Tag	St	MaxOcc	Level	Name
0390		SG10	C	9999	1	CPS-SG17
0400	23	CPS	M	1	1	Consignment packing sequence

Standard			Implementation	
Tag	Name	St Format	St Format	Usage / Remark
CPS				
7164	Hierarchical structure level identifier	M an..35	M an..35	

Remark:

Example:

CPS+1'

No = Consecutive segment number
 MaxOcc = Maximum occurrence of the segment/group
 Counter = Counter of segment/group within the standard

St = Status
 EDIFACT: M=Mandatory, C=Conditional
 User specific: R=Required, O=Optional, D=Dependent,
 A=Advised, N=Not used

Segments

Counter	No	Tag	St	MaxOcc	Level	Name
0650		SG17	C	9999	2	LIN-PIA-IMD-QTY-GIN-DTM-SG18
0660	24	LIN	M	1	2	Line item

Standard			Implementation	
Tag	Name	St Format	St Format	Usage / Remark
LIN				
1082	Line item number	C an..6	C an..6	
C212	Item number identification	C	C	
7140	Item number	C an..35	C an..35	
7143	Item type identification code	C an..3	C an..3	BH Part number

Remark:

Example:

LIN+1++61602000013:BH'

No = Consecutive segment number
 MaxOcc = Maximum occurrence of the segment/group
 Counter = Counter of segment/group within the standard

St = Status
 EDIFACT: M=Mandatory, C=Conditional
 User specific: R=Required, O=Optional, D=Dependent,
 A=Advised, N=Not used

Segments

Counter	No	Tag	St	MaxOcc	Level	Name
	0650	SG17	C	9999	2	LIN-PIA-IMD-QTY-GIN-DTM-SG18
	0670	25 PIA	C	10	3	Additional product id

Standard			Implementation	
Tag	Name	St Format	St Format	Usage / Remark
PIA				
4347	Product id. function qualifier	M an..3	M an..3	1 Additional identification
C212	Item number identification	M	M	
7140	Item number	C an..35	C an..35	
7143	Item type identification code	C an..3	C an..3	EN International Article Numbering Association (EAN)

Remark:
The EAN from Stihl should be used

Example:
PIA+1+886661067046:EN'

No = Consecutive segment number
MaxOcc = Maximum occurrence of the segment/group
Counter = Counter of segment/group within the standard

St = Status
EDIFACT: M=Mandatory, C=Conditional
User specific: R=Required, O=Optional, D=Dependent,
A=Advised, N=Not used

Segments

Counter	No	Tag	St	MaxOcc	Level	Name
	0650	SG17	C	9999	2	LIN-PIA-IMD-QTY-GIN-DTM-SG18
	0670	26 PIA	C	10	3	Additional product id

Standard			Implementation	
Tag	Name	St Format	St Format	Usage / Remark
PIA				
4347	Product id. function qualifier	M an..3	M an..3	1 Additional identification
C212	Item number identification	M	M	
7140	Item number	C an..35	C an..35	
7143	Item type identification code	C an..3	C an..3	SA Supplier's article number

Remark:
The Material Number from Stihl's supplier, if available

Example:
PIA+1+8866610670:SA'

No = Consecutive segment number
MaxOcc = Maximum occurrence of the segment/group
Counter = Counter of segment/group within the standard

St = Status
EDIFACT: M=Mandatory, C=Conditional
User specific: R=Required, O=Optional, D=Dependent,
A=Advised, N=Not used

Segments

Counter	No	Tag	St	MaxOcc	Level	Name
0650		SG17	C	9999	2	LIN-PIA-IMD-QTY-GIN-DTM-SG18
0680	27	IMD	C	25	3	Item description

Standard			Implementation	
Tag	Name	St Format	St Format	Usage / Remark
IMD				
7077	Item description type, coded	C an..3	C an..3	F Free-form
C273	Item description	C	C	
7008	Item description	C an..256	C an..256	
3453	Language name code	C an..3	C an..3	EN English

Remark:

Example:

IMD+F+:::MT 5097.1 C Lawn tractor::EN'

No = Consecutive segment number
 MaxOcc = Maximum occurrence of the segment/group
 Counter = Counter of segment/group within the standard

St = Status
 EDIFACT: M=Mandatory, C=Conditional
 User specific: R=Required, O=Optional, D=Dependent,
 A=Advised, N=Not used

Segments

Counter	No	Tag	St	MaxOcc	Level	Name
0650		SG17	C	9999	2	LIN-PIA-IMD-QTY-GIN-DTM-SG18
0680	28	IMD	C	25	3	Item description

Standard			Implementation	
Tag	Name	St Format	St Format	Usage / Remark
IMD				
7077	Item description type, coded	C an..3	C an..3	F Free-form
C273	Item description	C	C	
7008	Item description	C an..256	C an..256	
3453	Language name code	C an..3	C an..3	DE German

Remark:

To be sent when the country language is other than English

Example:

IMD+F++:::MT 5097.1 C Rasentraktor::DE'

No = Consecutive segment number
 MaxOcc = Maximum occurrence of the segment/group
 Counter = Counter of segment/group within the standard

St = Status
 EDIFACT: M=Mandatory, C=Conditional
 User specific: R=Required, O=Optional, D=Dependent,
 A=Advised, N=Not used

Segments

Counter	No	Tag	St	MaxOcc	Level	Name
	0650	SG17	C	9999	2	LIN-PIA-IMD-QTY-GIN-DTM-SG18
	0700	29 QTY	C	10	3	Quantity

Standard			Implementation	
Tag	Name	St Format	St Format	Usage / Remark
QTY				
C186	Quantity details	M	M	
6063	Quantity type code qualifier	M an..3	M an..3	12 Despatch quantity 46 Pieces delivered 253 Quantity in quarantine 145 Actual stock 65 Destroyed quantity
6060	Quantity	M an..35	M an..35	
6411	Measurement unit code	C an..3	C an..3	PCE piece

Remark:

Use 12 in 6063 in case of despatch advice/confirmation of despatch order, 46 in case of returns advice, 253 in case of confirmation of order to block goods, 145 in case of confirmation of order to unblock goods, 65 in case of confirmation of order to scrap goods from blocked/available stock

Example:

QTY+12:100:PCE'

No = Consecutive segment number
MaxOcc = Maximum occurrence of the segment/group
Counter = Counter of segment/group within the standard

St = Status
EDIFACT: M=Mandatory, C=Conditional
User specific: R=Required, O=Optional, D=Dependent,
A=Advised, N=Not used

Segments

Counter	No	Tag	St	MaxOcc	Level	Name	
	0650	SG17	C	9999	2	LIN-PIA-IMD-QTY-GIN-DTM-SG18	
	0720	30	GIN	C	100	3	Goods identity number

Standard			Implementation	
Tag	Name	St Format	St Format	Usage / Remark
GIN				
7405	Object identification code qualifier	M an..3	M an..3	BN Serial number
C208	Identity number range	M	M	
7402	Object identifier	M an..35	M an..35	

Remark:

The segment should be sent if the information is available
 The segment can be used more than 100 times, max. 99999

Example:

GIN+BN+000000000061130001'

No = Consecutive segment number
 MaxOcc = Maximum occurrence of the segment/group
 Counter = Counter of segment/group within the standard

St = Status
 EDIFACT: M=Mandatory, C=Conditional
 User specific: R=Required, O=Optional, D=Dependent,
 A=Advised, N=Not used

Segments

Counter	No	Tag	St	MaxOcc	Level	Name
	0650	SG17	C	9999	2	LIN-PIA-IMD-QTY-GIN-DTM-SG18
	0750	31 DTM	C	5	3	Date/time/period

Standard			Implementation	
Tag	Name	St Format	St Format	Usage / Remark
DTM				
C507	Date/time/period	M	M	
2005	Date/time/period function code qualifier	M an..3	M an..3	361 Best before date
2380	Date/time/period value	C an..35	C an..35	
2379	Date/time/period format code	C an..3	C an..3	102 CCYMMDD

Remark:

Example:

DTM+361:20150317:102'

No = Consecutive segment number
 MaxOcc = Maximum occurrence of the segment/group
 Counter = Counter of segment/group within the standard

St = Status
 EDIFACT: M=Mandatory, C=Conditional
 User specific: R=Required, O=Optional, D=Dependent,
 A=Advised, N=Not used

Segments

Counter	No	Tag	St	MaxOcc	Level	Name	
	0820	SG18	C	99	3	RFF-DTM	
	0830	32	RFF	M	1	3	Reference

Standard			Implementation	
Tag	Name	St Format	St Format	Usage / Remark
RFF				
C506	Reference	M	M	
1153	Reference function code qualifier	M an..3	M an..3	DQ Delivery note number ALQ Returns notice number DM Document number
1154	Reference identifier	C an..35	C an..35	
1156	Line number	C an..6	C an..6	

Remark:

In a case of despatch advice/confirmation of despatch order use DQ in 1153, in case of returns advice - ALQ, in case of confirmation of order to block/unblock goods - DM, in case of confirmation of order to scrap goods from blocked/available stock - DM

Example:

RFF+DQ:0180000990:70'

No = Consecutive segment number
MaxOcc = Maximum occurrence of the segment/group
Counter = Counter of segment/group within the standard

St = Status
EDIFACT: M=Mandatory, C=Conditional
User specific: R=Required, O=Optional, D=Dependent,
A=Advised, N=Not used

Segments

Counter	No	Tag	St	MaxOcc	Level	Name	
	0820	SG18	C	99	3	RFF-DTM	
	0860	33	DTM	C	1	4	Date/time/period

Standard			Implementation	
Tag	Name	St Format	St Format	Usage / Remark
DTM				
C507	Date/time/period	M	M	
2005	Date/time/period function code qualifier	M an..3	M an..3	137 Document/message date/time
2380	Date/time/period value	C an..35	C an..35	
2379	Date/time/period format code	C an..3	C an..3	102 CCYMMDD

Remark:

Example:

DTM+137:20150722:102'

No = Consecutive segment number
 MaxOcc = Maximum occurrence of the segment/group
 Counter = Counter of segment/group within the standard

St = Status
 EDIFACT: M=Mandatory, C=Conditional
 User specific: R=Required, O=Optional, D=Dependent,
 A=Advised, N=Not used

Segments

Counter	No	Tag	St	MaxOcc	Level	Name
0820		SG18	C	99	3	RFF-DTM
0830	34	RFF	M	1	3	Reference

Standard			Implementation	
Tag	Name	St Format	St Format	Usage / Remark
RFF				
C506	Reference	M	M	ON Order number (purchase)
1153	Reference function code qualifier	M an..3	M an..3	
1154	Reference identifier	C an..35	C an..35	
1156	Line number	C an..6	C an..6	

Remark:

The segment should be sent in case of despatch advice/confirmation of despatch order/returns advice

Example:

RFF+ON:4590007812:00001'

No = Consecutive segment number
MaxOcc = Maximum occurrence of the segment/group
Counter = Counter of segment/group within the standard

St = Status
EDIFACT: M=Mandatory, C=Conditional
User specific: R=Required, O=Optional, D=Dependent,
A=Advised, N=Not used

Segments

Counter	No	Tag	St	MaxOcc	Level	Name
0820		SG18	C	99	3	RFF-DTM
0860	35	DTM	C	1	4	Date/time/period

Standard			Implementation	
Tag	Name	St Format	St Format	Usage / Remark
DTM				
C507	Date/time/period	M	M	
2005	Date/time/period function code qualifier	M an..3	M an..3	137 Document/message date/time
2380	Date/time/period value	C an..35	C an..35	
2379	Date/time/period format code	C an..3	C an..3	102 CCYMMDD

Remark:

Example:

DTM+137:20150707:102'

No = Consecutive segment number
 MaxOcc = Maximum occurrence of the segment/group
 Counter = Counter of segment/group within the standard

St = Status
 EDIFACT: M=Mandatory, C=Conditional
 User specific: R=Required, O=Optional, D=Dependent,
 A=Advised, N=Not used

Segments

Counter	No	Tag	St	MaxOcc	Level	Name
1150	36	UNT	M	1	0	Message trailer

Standard			Implementation	
Tag	Name	St Format	St Format	Usage / Remark
UNT				
0074	Number of segments in a message	M n..10	M n..10	
0062	Message reference number	M an..14	M an..14	

Remark:

Example:

UNT+33+54321'

No = Consecutive segment number
 MaxOcc = Maximum occurrence of the segment/group
 Counter = Counter of segment/group within the standard

St = Status
 EDIFACT: M=Mandatory, C=Conditional
 User specific: R=Required, O=Optional, D=Dependent,
 A=Advised, N=Not used

Segments

Counter	No	Tag	St	MaxOcc	Level	Name
0000	37	UNZ	M	1	0	Interchange trailer

Standard			Implementation	
Tag	Name	St Format	St Format	Usage / Remark
UNZ				
0036	Interchange control count	M n..6	M n..6	
0020	Interchange control reference	M an..14	M an..14	

Remark:

Example:

UNZ+123+83'

No = Consecutive segment number
 MaxOcc = Maximum occurrence of the segment/group
 Counter = Counter of segment/group within the standard

St = Status
 EDIFACT: M=Mandatory, C=Conditional
 User specific: R=Required, O=Optional, D=Dependent,
 A=Advised, N=Not used

No	Tag	Example
01	UNA	UNA:+.? '
02	UNB	UNB+UNOA:1+STIHL:ZZZ+RECEIVER_ID:ZZZ+20150907:1150+83'
03	UNH	UNH+54321+DESADV:D:99B:UN'
04	BGM	BGM+351+0180000990+9'
05	DTM	DTM+137:20150722:102'
06	DTM	DTM+191:20150713220000:204'
07	DTM	DTM+11:20150713220000:204'
08	DTM	DTM+50:20150713220000:204'
09	MEA	MEA+AAX+AAD+KGM:59335.7'
10	MEA	MEA+AAX+AAC+KGM:48325'
11	MEA	MEA+AAX+AAW+LTR:561926.4'
	SG1	
12	RFF	RFF+DQ:0180000990'
13	DTM	DTM+137:20150722:102'
	SG1	
14	RFF	RFF+CU:0310101'
15	DTM	DTM+137:20150317:102'
	SG2	
16	NAD	NAD+CZ+0090119935::92++VIKING GmbH+Hans Peter Stihl-Strasse 5+Langka mpfen-Kufstein++6336+AT'
17	LOC	LOC+80+GB5'
	SG4	
18	CTA	CTA+CO'
19	COM	COM+537269720:AM'
	SG2	
20	NAD	NAD+BY+3245::92++STIHLVU+STR+STADT++60311+DE'
	SG2	
21	NAD	NAD+CN+3245787::92++CONSIGNEE+STR+STADT++60311+DE'
22	LOC	LOC+4+GB4'
	SG10	
23	CPS	CPS+1'
	SG17	
24	LIN	LIN+1++61602000013:BH'
25	PIA	PIA+1+886661067046:EN'
26	PIA	PIA+1+8866610670:SA'
27	IMD	IMD+F++::MT 5097.1 C Lawn tractor::EN'
28	IMD	IMD+F++::MT 5097.1 C Rasentraktor::DE'
29	QTY	QTY+12:100:PCE'
30	GIN	GIN+BN+000000000061130001'
31	DTM	DTM+361:20150317:102'
	SG18	
32	RFF	RFF+DQ:0180000990:70'
33	DTM	DTM+137:20150722:102'
	SG18	
34	RFF	RFF+ON:4590007812:00001'
35	DTM	DTM+137:20150707:102'
36	UNT	UNT+33+54321'
37	UNZ	UNZ+123+83'

No = Consecutive segment number