



EDI Implementation Documentation

EDIFACT 16B SLSRPT

based on

SLSRPT

Sales data report message

UN D.16B S4

- **Structure Chart**
- **Branching Diagram**
- **Segment Details**

Version 0.1
Issue date 22.03.2017

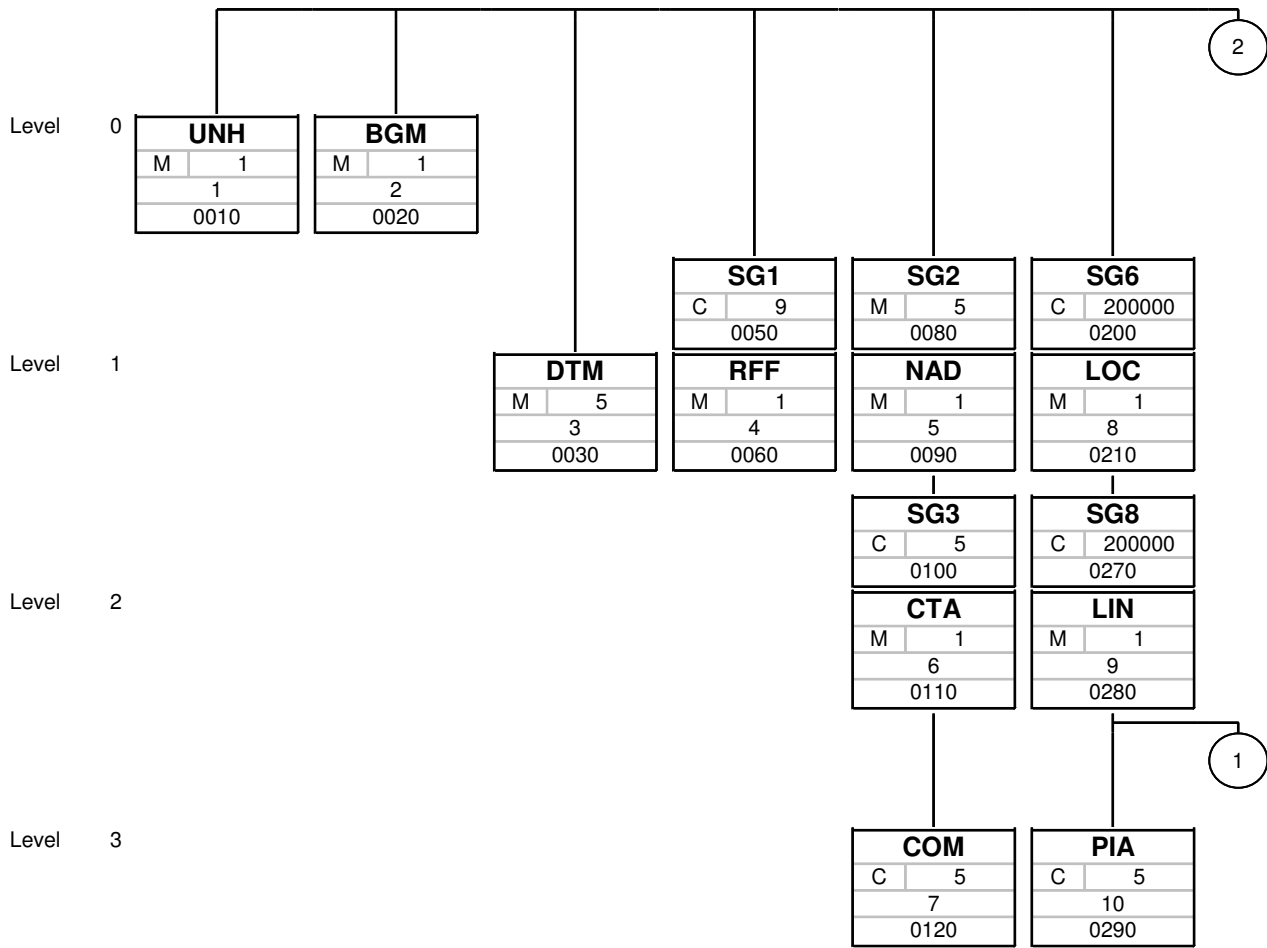
Structure / Table of Contents

Counter	No	Tag	St	MaxOcc	Level	Content
	0010	1 UNH	M	1	0	Message header
	0020	2 BGM	M	1	0	Beginning of message
	0030	3 DTM	M	5	1	Date/time/period
┌	0050	SG1	C	9	1	RFF
└	0060	4 RFF	M	1	1	Reference
┌	0080	SG2	M	5	1	NAD-SG3
└	0090	5 NAD	M	1	1	Name and address
┌	0100	SG3	C	5	2	CTA-COM
└	0110	6 CTA	M	1	2	Contact information
└	0120	7 COM	C	5	3	Communication contact
┌	0200	SG6	C	200000	1	LOC-SG8
└	0210	8 LOC	M	1	1	Place/location identification
┌	0270	SG8	C	200000	2	LIN-PIA-IMD-GIN-SG10
└	0280	9 LIN	M	1	2	Line item
└	0290	10 PIA	C	5	3	Additional product id
└	0300	11 IMD	C	5	3	Item description
└	0370	12 GIN	C	9999	3	Goods identity number
┌	0420	SG10	C	999	3	QTY-NAD-DTM-RFF-STS
└	0430	13 QTY	M	1	3	Quantity
└	0450	14 NAD	C	1	4	Name and address
└	0470	15 DTM	C	9	4	Date/time/period
└	0480	16 RFF	C	9	4	Reference
└	0490	17 STS	C	9	4	Status
	0690	18 UNS	M	1	0	Section control
	0710	19 UNT	M	1	0	Message trailer

Counter = Counter of segment/group within the standard
 No = Consecutive segment number
 MaxOcc = Maximum occurrence of the segment/group

St = Status
 EDIFACT: M=Mandatory, C=Conditional
 User specific: R=Required, O=Optional, D=Dependent,
 A=Advised, N=Not used

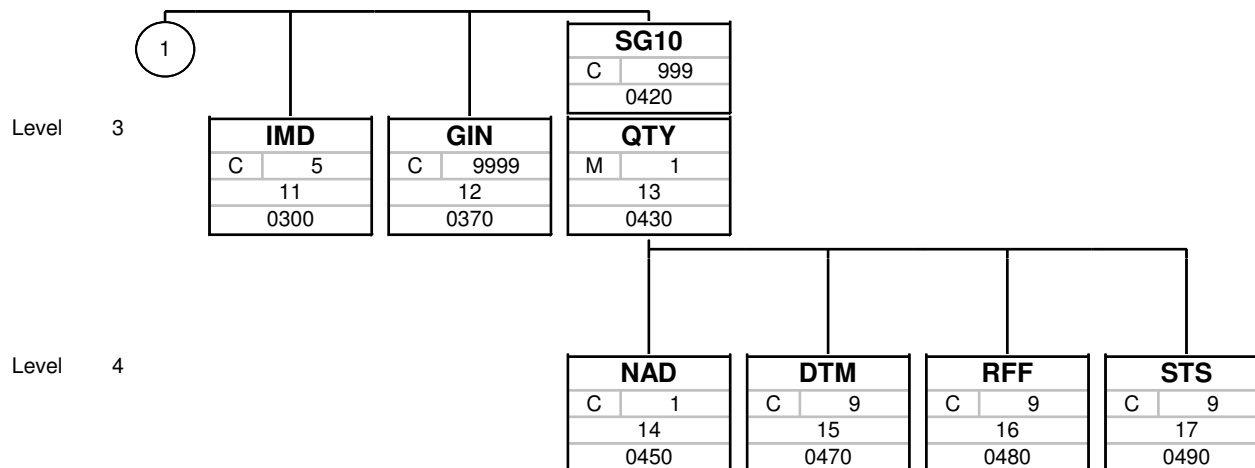
Branching Diagram of Used Segments/Groups



Tag
St MaxOcc
No
Counter

Tag = Segment/Group Tag
 St = Status (M=Mandatory, C=Conditional, R=Required, O=Optional, A=Advised, D=Dependent)
 MaxOcc = Maximum occurrence of the segment/group
 No = Consecutive segment number
 Counter = Counter of segment/group within the standard

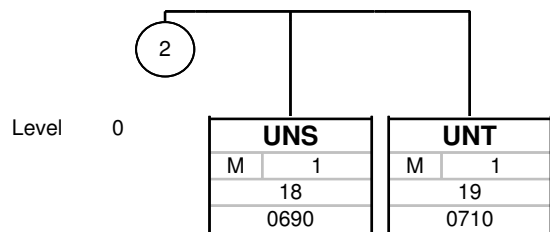
Branching Diagram of Used Segments/Groups



Tag
St MaxOcc
No
Counter

Tag = Segment/Group Tag
 St = Status (M=Mandatory, C=Conditional, R=Required, O=Optional, A=Advised, D=Dependent)
 MaxOcc = Maximum occurrence of the segment/group
 No = Consecutive segment number
 Counter = Counter of segment/group within the standard

Branching Diagram of Used Segments/Groups



Tag
St MaxOcc
No
Counter

Tag = Segment/Group Tag
 St = Status (M=Mandatory, C=Conditional, R=Required, O=Optional, A=Advised, D=Dependent)
 MaxOcc = Maximum occurrence of the segment/group
 No = Consecutive segment number
 Counter = Counter of segment/group within the standard

Segments

Counter	No	Tag	St	MaxOcc	Level	Name
0010	1	UNH	M	1	0	Message header

Standard			Implementation	
Tag	Name	St Format	St Format	Usage / Remark
UNH				
0062	Message reference number	M an..14	M an..14	
S009	Message identifier	M	M	
0065	Message type	M an..6	M an..6	SLSRPT Sales data report message
0052	Message version number	M an..3	M an..3	D Draft version/UN/EDIFACT Directory
0054	Message release number	M an..3	M an..3	16B Release 2016 - B
0051	Controlling agency, coded	M an..3	M an..3	UN UN/CEFACT

Remark:

Example:

UNH+1+SLSRPT:D:16B:UN'

No = Consecutive segment number
 MaxOcc = Maximum occurrence of the segment/group
 Counter = Counter of segment/group within the standard

St = Status
 EDIFACT: M=Mandatory, C=Conditional
 User specific: R=Required, O=Optional, D=Dependent,
 A=Advised, N=Not used

Segments

Counter	No	Tag	St	MaxOcc	Level	Name
0020	2	BGM	M	1	0	Beginning of message

Standard			Implementation	
Tag	Name	St Format	St Format	Usage / Remark
BGM				
C002	Document/message name	C	C	
1001	Document name code	C an..3	C an..3	73E Sales data report
1000	Document name	C an..35	C an..35	Sales Report
C106 Document/message identification				
1004	Document identifier	C an..70	C an..70	
1225	Message function code	C an..3	C an..3	9 Original

Remark:

Example:

BGM+73E:::SALES REPORT+123456+9'

No = Consecutive segment number
 MaxOcc = Maximum occurrence of the segment/group
 Counter = Counter of segment/group within the standard

St = Status
 EDIFACT: M=Mandatory, C=Conditional
 User specific: R=Required, O=Optional, D=Dependent,
 A=Advised, N=Not used

Segments

Counter	No	Tag	St	MaxOcc	Level	Name
0030	3	DTM	M	5	1	Date/time/period

Standard			Implementation	
Tag	Name	St Format	St Format	Usage / Remark
DTM				
C507	Date/time/period	M	M	
2005	Date or time or period function code qualifier	M an..3	M an..3	90 Report start date 91 Report end date 137 Document issue date time
2380	Date or time or period text	C an..35	C an..35	
2379	Date or time or period format code	C an..3	C an..3	102 CCYYMMDD

Remark:

Example:

DTM+137:20170322:102'

No = Consecutive segment number
 MaxOcc = Maximum occurrence of the segment/group
 Counter = Counter of segment/group within the standard

St = Status
 EDIFACT: M=Mandatory, C=Conditional
 User specific: R=Required, O=Optional, D=Dependent,
 A=Advised, N=Not used

Segments

Counter	No	Tag	St	MaxOcc	Level	Name
0050		SG1	C	9	1	RFF
0060	4	RFF	M	1	1	Reference

Standard			Implementation	
Tag	Name	St Format	St Format	Usage / Remark
RFF				
C506	Reference	M	M	
1153	Reference code qualifier	M an..3	M an..3	AOE Sender's file reference number
1154	Reference identifier	C an..70	C an..70	File name dealer HB21 - ORFIL1

Remark:

Example:

RFF+AOE:Upload.UNB'

No = Consecutive segment number
 MaxOcc = Maximum occurrence of the segment/group
 Counter = Counter of segment/group within the standard

St = Status
 EDIFACT: M=Mandatory, C=Conditional
 User specific: R=Required, O=Optional, D=Dependent,
 A=Advised, N=Not used

Segments

Counter	No	Tag	St	MaxOcc	Level	Name
0080		SG2	M	5	1	NAD-SG3
0090	5	NAD	M	1	1	Name and address

Standard			Implementation	
Tag	Name	St Format	St Format	Usage / Remark
NAD				
3035	Party function code qualifier	M an..3	M an..3	BY Buyer Dealer HPAR - qualifier DEA SE Seller STIHL Sales subsidiary
C082	Party identification details	C	C	
3039	Party identifier	M an..35	M an..35	HPAR - PARNU1
3055	Code list responsible agency code	C an..3	C an..3	9 GS1 91 Assigned by seller or seller's agent
C080	Party name	C	C	
3036	Party name	M an..70	M an..70	HPAR - NAME1
3036	Party name	C an..70	C an..70	HPAR - NAME2
C059	Street	C	C	
3042	Street and number or post office box identifier	M an..35	M an..35	HPAR - STRA11 / POBOX1
3042	Street and number or post office box identifier	C an..35	C an..35	HPAR - STRA12
3164	City name	C an..35	C an..35	HPAR - CITY11
C819	Country subdivision details	C	C	
3228	Country subdivision name	C an..70	C an..70	HPAR - COUCO1
3251	Postal identification code	C an..17	C an..17	HPAR - PCOST1 / PCOPB1
3207	Country identifier	C an..3	C an..3	HPAR - COCOD1

Remark:

Example:

NAD+BY+123456::91++Dealer:More info+Street 1:X+City+:::State+12345+DE'

No = Consecutive segment number
MaxOcc = Maximum occurrence of the segment/group
Counter = Counter of segment/group within the standard

St = Status
EDIFACT: M=Mandatory, C=Conditional
User specific: R=Required, O=Optional, D=Dependent,
A=Advised, N=Not used

Segments

Counter	No	Tag	St	MaxOcc	Level	Name
0100		SG3	C	5	2	CTA-COM
0110	6	CTA	M	1	2	Contact information

Standard			Implementation	
Tag	Name	St Format	St Format	Usage / Remark
CTA				
3139	Contact function code	C an..3	C an..3	PD Purchasing contact
C056	Contact details	C	C	
3412	Contact name	C an..256	C an..256	First name surname HPAR - PARCH1 / PARSU1

Remark:

Example:

CTA+PD+:X'

No = Consecutive segment number
 MaxOcc = Maximum occurrence of the segment/group
 Counter = Counter of segment/group within the standard

St = Status
 EDIFACT: M=Mandatory, C=Conditional
 User specific: R=Required, O=Optional, D=Dependent,
 A=Advised, N=Not used

Segments

Counter	No	Tag	St	MaxOcc	Level	Name
0100		SG3	C	5	2	CTA-COM
0120	7	COM	C	5	3	Communication contact

Standard			Implementation	
Tag	Name	St Format	St Format	Usage / Remark
COM				
C076	Communication contact	M	M	
3148	Communication address identifier	M an..512	M an..512	HPAR - PARMA1 / PARFA1 / PARFO1
3155	Communication means type code	M an..3	M an..3	EM Electronic mail FX Telefax TE Telephone

Remark:

Example:

COM+test@test.com:EM'

No = Consecutive segment number
 MaxOcc = Maximum occurrence of the segment/group
 Counter = Counter of segment/group within the standard

St = Status
 EDIFACT: M=Mandatory, C=Conditional
 User specific: R=Required, O=Optional, D=Dependent,
 A=Advised, N=Not used

Segments

Counter	No	Tag	St	MaxOcc	Level	Name
0200		SG6	C	200000	1	LOC-SG8
0210	8	LOC	M	1	1	Place/location identification

Standard			Implementation	
Tag	Name	St Format	St Format	Usage / Remark
LOC				
3227	Location function code qualifier	M an..3	M an..3	162 Place or location of sale
C517	Location identification	C	C	
3225	Location identifier	C an..35	C an..35	GLN - Format n13
3055	Code list responsible agency code	C an..3	C an..3	9 GS1
3224	Location name	C an..256	C an..256	

Remark:

Example:

LOC+162+1234567890123::9:Name '

No = Consecutive segment number
 MaxOcc = Maximum occurrence of the segment/group
 Counter = Counter of segment/group within the standard

St = Status
 EDIFACT: M=Mandatory, C=Conditional
 User specific: R=Required, O=Optional, D=Dependent,
 A=Advised, N=Not used

Segments

Counter	No	Tag	St	MaxOcc	Level	Name
0270		SG8	C	200000	2	LIN-PIA-IMD-GIN-SG10
0280	9	LIN	M	1	2	Line item

Standard			Implementation	
Tag	Name	St Format	St Format	Usage / Remark
LIN				
1082	Line item identifier	C an..6	C an..6	
C212	Item number identification	C	C	
7140	Item identifier	C an..35	C an..35	PLIN - MATNUM
7143	Item type identification code	C an..3	C an..3	SA Supplier's article number

Remark:

Example:

LIN+X++12345678901:SA'

No = Consecutive segment number
 MaxOcc = Maximum occurrence of the segment/group
 Counter = Counter of segment/group within the standard

St = Status
 EDIFACT: M=Mandatory, C=Conditional
 User specific: R=Required, O=Optional, D=Dependent,
 A=Advised, N=Not used

Segments

Counter	No	Tag	St	MaxOcc	Level	Name
	0270	SG8	C	200000	2	LIN-PIA-IMD-GIN-SG10
	0290	10 PIA	C	5	3	Additional product id

Standard			Implementation	
Tag	Name	St Format	St Format	Usage / Remark
PIA				
4347	Product identifier code qualifier	M an..3	M an..3	1 Additional identification
C212	Item number identification	M	M	
7140	Item identifier	C an..35	C an..35	
7143	Item type identification code	C an..3	C an..3	IN Buyer's item number

Remark:

Example:

PIA+1+123456:IN'

No = Consecutive segment number
 MaxOcc = Maximum occurrence of the segment/group
 Counter = Counter of segment/group within the standard

St = Status
 EDIFACT: M=Mandatory, C=Conditional
 User specific: R=Required, O=Optional, D=Dependent,
 A=Advised, N=Not used

Segments

Counter	No	Tag	St	MaxOcc	Level	Name
	0270	SG8	C	200000	2	LIN-PIA-IMD-GIN-SG10
	0300	IMD	C	5	3	Item description

Standard			Implementation	
Tag	Name	St Format	St Format	Usage / Remark
IMD				
7077	Description format code	C an..3	C an..3	F Free-form
C272	Item characteristic	C	C	
3055	Code list responsible agency code	C an..3	C an..3	91 Assigned by seller or seller's agent 92 Assigned by buyer or buyer's agent
C273	Item description	C	C	
7008	Item description	C an..256	C an..256	PLIN - PRODES
3453	Language name code	C an..3	C an..3	

Remark:

Example:

IMD+F+::91+:::Material A::EN'

No = Consecutive segment number
 MaxOcc = Maximum occurrence of the segment/group
 Counter = Counter of segment/group within the standard

St = Status
 EDIFACT: M=Mandatory, C=Conditional
 User specific: R=Required, O=Optional, D=Dependent,
 A=Advised, N=Not used

Segments

Counter	No	Tag	St	MaxOcc	Level	Name
	0270	SG8	C	200000	2	LIN-PIA-IMD-GIN-SG10
	0370	GIN	C	9999	3	Goods identity number

Standard			Implementation	
Tag	Name	St Format	St Format	Usage / Remark
GIN				
7405	Object identification code qualifier	M an..3	M an..3	BN Serial number ZZZ Mutually defined Qualifier ZZZ if 3rd party serial number - first C208/7402 serial number ; second C208/7402 3rd party identifier
C208	Identity number range	M	M	
7402	Object identifier	M an..35	M an..35	PLIN - SERNUM

Remark:

Example:

GIN+BN+123456789'

No = Consecutive segment number
 MaxOcc = Maximum occurrence of the segment/group
 Counter = Counter of segment/group within the standard

St = Status
 EDIFACT: M=Mandatory, C=Conditional
 User specific: R=Required, O=Optional, D=Dependent,
 A=Advised, N=Not used

Segments

Counter	No	Tag	St	MaxOcc	Level	Name
0420		SG10	C	999	3	QTY-NAD-DTM-RFF-STS
0430	13	QTY	M	1	3	Quantity

Standard			Implementation	
Tag	Name	St Format	St Format	Usage / Remark
QTY				
C186	Quantity details	M	M	
6063	Quantity type code qualifier	M an..3	M an..3	212 Quantity sold, net
6060	Quantity	M an..35	M an..35	
6411	Measurement unit code	C an..8	C an..8	EA each

Remark:

Example:

QTY+212:1:EA'

No = Consecutive segment number
 MaxOcc = Maximum occurrence of the segment/group
 Counter = Counter of segment/group within the standard

St = Status
 EDIFACT: M=Mandatory, C=Conditional
 User specific: R=Required, O=Optional, D=Dependent,
 A=Advised, N=Not used

Segments

Counter	No	Tag	St	MaxOcc	Level	Name
	0420	SG10	C	999	3	QTY-NAD-DTM-RFF-STS
	0450	NAD	C	1	4	Name and address

Standard			Implementation	
Tag	Name	St Format	St Format	Usage / Remark
NAD				
3035	Party function code qualifier	M an..3	M an..3	UD Ultimate customer End customer
C082	Party identification details	C	C	
3039	Party identifier	M an..35	M an..35	End customer number
3055	Code list responsible agency code	C an..3	C an..3	9 GS1 91 Assigned by seller or seller's agent 92 Assigned by buyer or buyer's agent
C058	Name and address	C	C	
3124	Name and address description	M an..35	M an..35	MR Mister MS Miss MRS Misses CO Company PPAR - TITLEP
C080	Party name	C	C	
3036	Party name	M an..70	M an..70	PPAR - NAME11
3036	Party name	C an..70	C an..70	PPAR - NAME12
3036	Party name	C an..70	C an..70	PPAR - NAME13
C059	Street	C	C	
3042	Street and number or post office box identifier	M an..35	M an..35	PPAR - STRA11 / POBOX1
3042	Street and number or post office box identifier	C an..35	C an..35	PPAR - STRA12
3042	Street and number or post office box identifier	C an..35	C an..35	
3042	Street and number or post office box identifier	C an..35	C an..35	Additional field for NZ - regional information
3164	City name	C an..35	C an..35	PPAR - CITY11
C819	Country subdivision details	C	C	
3228	Country subdivision name	C an..70	C an..70	PPAR - COUCO1
3251	Postal identification code	C an..17	C an..17	PPAR - PCOST1 / PCOPB1
3207	Country identifier	C an..3	C an..3	PPAR - COCOD1

Remark:

Example:

NAD+UD+123456::92++End customer:More info:X+Street 1:::RegionNZ+City+:::State+12345+DE'

No = Consecutive segment number
MaxOcc = Maximum occurrence of the segment/group
Counter = Counter of segment/group within the standard

St = Status
EDIFACT: M=Mandatory, C=Conditional
User specific: R=Required, O=Optional, D=Dependent,
A=Advised, N=Not used

Segments

Counter	No	Tag	St	MaxOcc	Level	Name
	0420	SG10	C	999	3	QTY-NAD-DTM-RFF-STS
	0470	DTM	C	9	4	Date/time/period

Standard			Implementation	
Tag	Name	St Format	St Format	Usage / Remark
DTM				
C507	Date/time/period	M	M	
2005	Date or time or period function code qualifier	M an..3	M an..3	356 Sales date, and or time, and or period
2380	Date or time or period text	C an..35	C an..35	PLIN - DISDAT
2379	Date or time or period format code	C an..3	C an..3	102 CCYYMMDD

Remark:

Example:

DTM+356:20170322:102'

No = Consecutive segment number
 MaxOcc = Maximum occurrence of the segment/group
 Counter = Counter of segment/group within the standard

St = Status
 EDIFACT: M=Mandatory, C=Conditional
 User specific: R=Required, O=Optional, D=Dependent,
 A=Advised, N=Not used

Segments

Counter	No	Tag	St	MaxOcc	Level	Name
	0420	SG10	C	999	3	QTY-NAD-DTM-RFF-STS
	0480	RFF	C	9	4	Reference

Standard			Implementation	
Tag	Name	St Format	St Format	Usage / Remark
RFF				
C506	Reference	M	M	
1153	Reference code qualifier	M an..3	M an..3	ZEM Electronic mail ZFX Telefax ZTE Telephone ZMO Mobile phone ZPR End customer type ZCO End customer contact ZTI End customer title ZLA End customer language <E-Mail address> End customer E-Mail address if 1153 Reference code qualifier = "ZEM" PPAR - PARMA1 <Telefax address> End customer telefax address if 1153 Reference code qualifier = "ZFX" PPAR - PARFA1 <Telephone number> End customer telephone number if 1153 Reference code qualifier = "ZTE" PPAR - PARFO1 <End customer type if 1153 Reference code qualifier = "ZPR" - Mutually defined by the r type> subsidiary PPAR - PROFUS <Mobile phone> End customer mobile phone number if 1153 Reference code qualifier = "ZTE" <First name surname> End customer contact if 1153 Reference code name qualifier = "ZCO" PPAR - PARFCH1 / PARSU1 <MR/MS/CO> End customer title (Mister, Miss, Company) if 1153 Reference code qualifier = "ZTI" PPAR - TITLEP <Language> End customer language if 1153 Reference code qualifier = "ZLA" PPAR - LANGU1
1154	Reference identifier	C an..70	C an..70	

Remark:

Example:

RFF+ZPR:0'

No = Consecutive segment number
 MaxOcc = Maximum occurrence of the segment/group
 Counter = Counter of segment/group within the standard

St = Status
 EDIFACT: M=Mandatory, C=Conditional
 User specific: R=Required, O=Optional, D=Dependent,
 A=Advised, N=Not used

Segments

Counter	No	Tag	St	MaxOcc	Level	Name
0420		SG10	C	999	3	QTY-NAD-DTM-RFF-STS
0490	17	STS	C	9	4	Status

Standard			Implementation	
Tag	Name	St Format	St Format	Usage / Remark
STS				
C601	Status category	C	C	
9015	Status category code	M an..3	M an..3	ZZZ Mutually defined status for information about customer, machine and Navision specific segment
C555	Status	C	C	
4405	Status description code	M an..3	M an..3	ZN1 STIHL Sales information 1 ZN2 STIHL Sales information 2 ZN3 STIHL Sales information 3 ZN4 STIHL Sales information 4 ZN5 STIHL Sales information 5
1131	Code list identification code	C an..17	C an..17	<?/?/?> Usage type - if 4405 Status description code is "ZN1-5" - Mutually defined by the subsidiary
4404	Status description	C an..35	C an..35	PINF - USETYP if 4405 Status description code is "ZN1-5" <STIHL Description of STIHL Sales information 1 - Sales max. length 35 if 4405 Status description informati code is "ZN1" on 1> <STIHL Description of STIHL Sales information 2 - Sales max. length 35 if 4405 Status description informati code is "ZN2" on 2> <STIHL Description of STIHL Sales information 3 - Sales max. length 35 if 4405 Status description informati code is "ZN3" on 3> <STIHL Description of STIHL Sales information 4 - Sales max. length 35 if 4405 Status description informati code is "ZN4" on 4> <STIHL Description of STIHL Sales information 5 - Sales max. length 35 if 4405 Status description informati code is "ZN5" on 5> PNAV - SALIN1-5 if 4405 Status description code is "ZN1-5"

Remark:

Example:

STS+ZZZ+ZN1:0::Desc. STIHL Sales information 1'

No = Consecutive segment number
MaxOcc = Maximum occurrence of the segment/group
Counter = Counter of segment/group within the standard

St = Status
EDIFACT: M=Mandatory, C=Conditional
User specific: R=Required, O=Optional, D=Dependent,
A=Advised, N=Not used

Segments

Counter	No	Tag	St	MaxOcc	Level	Name
0690	18	UNS	M	1	0	Section control

Standard			Implementation	
Tag	Name	St Format	St Format	Usage / Remark
UNS				
0081	Section identification	M a1	M a1	S Detail/summary section separation

Remark:

Example:

UNS+S'

No = Consecutive segment number
 MaxOcc = Maximum occurrence of the segment/group
 Counter = Counter of segment/group within the standard

St = Status
 EDIFACT: M=Mandatory, C=Conditional
 User specific: R=Required, O=Optional, D=Dependent,
 A=Advised, N=Not used

Segments

Counter	No	Tag	St	MaxOcc	Level	Name
0710	19	UNT	M	1	0	Message trailer

Standard			Implementation	
Tag	Name	St Format	St Format	Usage / Remark
UNT				
0074	Number of segments in a message	M n..10	M n..10	
0062	Message reference number	M an..14	M an..14	

Remark:

Example:

UNT+57+1'

No = Consecutive segment number
 MaxOcc = Maximum occurrence of the segment/group
 Counter = Counter of segment/group within the standard

St = Status
 EDIFACT: M=Mandatory, C=Conditional
 User specific: R=Required, O=Optional, D=Dependent,
 A=Advised, N=Not used

Sample message

No	Tag	Example
01	UNH	UNH+1+SLSRPT:D:16B:UN'
02	BGM	BGM+73E:::SALES REPORT+123456+9'
03	DTM	DTM+137:20170322:102'
	SG1	
04	RFF	RFF+AOE:Upload.UNB'
	SG2	
05	NAD	NAD+BY+123456::91++Dealer:More info+Street 1:X+City+:::State+12345+D E'
	SG3	
06	CTA	CTA+PD+:X'
07	COM	COM+test@test.com:EM'
	SG6	
08	LOC	LOC+162+1234567890123:::9:Name'
	SG8	
09	LIN	LIN+X++12345678901:SA'
10	PIA	PIA+1+123456:IN'
11	IMD	IMD+F+:::91+:::Material A::EN'
12	GIN	GIN+BN+123456789'
	SG10	
13	QTY	QTY+212:1:EA'
14	NAD	NAD+UD+123456::92++End customer:More info:X+Street 1:::RegionNZ+City +:::State+12345+DE'
15	DTM	DTM+356:20170322:102'
16	RFF	RFF+ZPR:0'
17	STS	STS+ZZZ+ZN1:0::Desc. STIHL Sales information 1'
18	UNS	UNS+S'
19	UNT	UNT+57+1'

No = Consecutive segment number

Permitted Codes of Data elements

List of permitted codes of data elements / code lists

0051 Controlling agency, coded

Code	Name/Description
UN	UN/CEFACT United Nations Centre for Trade Facilitation and Electronic Business (UN/CEFACT).

0052 Message version number

Code	Name/Description
D	Draft version/UN/EDIFACT Directory Message approved and issued as a draft message (Valid for directories published after March 1993 and prior to March 1997). Message approved as a standard message (Valid for directories published after March 1997).

0054 Message release number

Code	Name/Description
16B	Release 2016 - B Message approved and issued in the second 2016 release of the UNTDID (United Nations Trade Data Interchange Directory).

0065 Message type

Code	Name/Description
SLSRPT	Sales data report message A code to identify the sales data report message.

0081 Section identification

Code	Name/Description
S	Detail/summary section separation To qualify the segment UNS, when separating the detail from the summary section of a message.

1001 Document name code

Code	Name/Description
73E	Sales data report

1131 Code list identification code

Code	Name/Description
------	------------------

<?/?/?> Usage type - if 4405 Status description code is "ZN1-5" - Mutually defined by the subsidiary

1153 Reference code qualifier

Code	Name/Description
AOE	Sender's file reference number File reference number assigned by the sender.
ZCO	End customer contact
ZEM	Electronic mail
ZFX	Telefax
ZLA	End customer language
ZMO	Mobile phone
ZPR	End customer type
ZTE	Telephone
ZTI	End customer title

1154 Reference identifier

Code	Name/Description
<E-Mail address>	End customer E-Mail address if 1153 Reference code qualifier = "ZEM"
<End customer type>	End customer type if 1153 Reference code qualifier = "ZPR" - Mutually defined by the subsidiary
<First name surname>	End customer contact if 1153 Reference code qualifier = "ZCO"
<Language>	End customer language if 1153 Reference code qualifier = "ZLA"
<Mobile phone>	End customer mobile phone number if 1153 Reference code qualifier = "ZTE"
<MR/MS/CO>	End customer title (Mister, Miss, Company) if 1153 Reference code qualifier = "ZTI"
<Telefax>	End customer telefax address if 1153 Reference code qualifier = "ZFX"
<Telephone>	End customer telephone number if 1153 Reference code qualifier = "ZTE"

1225 Message function code

Code	Name/Description
9	Original Initial transmission related to a given transaction.

2005 Date or time or period function code qualifier

Code	Name/Description
90	Report start date

The date on which a report is to begin.

91 Report end date
The date on which a report is to end.

137 Document issue date time
[2007] Date that a document was issued and when appropriate, signed or otherwise authenticated.

356 Sales date, and or time, and or period
The date, and or time, and or period on which a sale took place.

2379 Date or time or period format code

Code	Name/Description
102	CCYYMMDD Calendar date: C = Century ; Y = Year ; M = Month ; D = Day.

3035 Party function code qualifier

Code	Name/Description
BY	Buyer [3002] Party to which merchandise or services are sold.
SE	Seller [3346] Party selling merchandise or services to a buyer.
UD	Ultimate customer The final recipient of goods.

3055 Code list responsible agency code

Code	Name/Description
9	GS1 GS1 (formerly EAN International), an organisation of GS1 Member Organisations, which manages the GS1 System.
91	Assigned by seller or seller's agent Codes assigned by a seller or seller's agent.
92	Assigned by buyer or buyer's agent Codes assigned by a buyer or buyer's agent.

3124 Name and address description

Code	Name/Description
CO	Company
MR	Mister
MRS	Misses
MS	Miss

3139 Contact function code

Code	Name/Description
PD	Purchasing contact Department/person responsible for issuing this purchase order.

3155 Communication means type code

Code	Name/Description
EM	Electronic mail Exchange of mail by electronic means.
FX	Telefax Device used for transmitting and reproducing fixed graphic material (as printing) by means of signals over telephone lines or other electronic transmission media.
TE	Telephone Voice/data transmission by telephone.

3207 Country identifier

Code	Name/Description
AD	ANDORRA
AE	UNITED ARAB EMIRATES
AF	AFGHANISTAN
AG	ANTIGUA AND BARBUDA
AI	ANGUILLA
AL	ALBANIA
AM	ARMENIA
AO	ANGOLA
AQ	ANTARCTICA
AR	ARGENTINA
AS	AMERICAN SAMOA
AT	AUSTRIA
AU	AUSTRALIA
AW	ARUBA
AX	ÅLAND ISLANDS
AZ	AZERBAIJAN
BA	BOSNIA AND HERZEGOVINA
BB	BARBADOS
BD	BANGLADESH

BE	BELGIUM
BF	BURKINA FASO
BG	BULGARIA
BH	BAHRAIN
BI	BURUNDI
BJ	BENIN
BL	SAINT BARTHÉLEMY
BM	BERMUDA
BN	BRUNEI DARUSSALAM
BO	BOLIVIA (PLURINATIONAL STATE OF)
BQ	BONAIRE, SINT EUSTATIUS AND SABA
BR	BRAZIL
BS	BAHAMAS
BT	BHUTAN
BV	BOUVET ISLAND
BW	BOTSWANA
BY	BELARUS
BZ	BELIZE
CA	CANADA
CC	COCOS (KEELING) ISLANDS
CD	CONGO, DEMOCRATIC REPUBLIC OF
CF	CENTRAL AFRICAN REPUBLIC
CG	CONGO
CH	SWITZERLAND
CI	COTE D'IVOIRE
CK	COOK ISLANDS
CL	CHILE
CM	CAMEROON
CN	CHINA
CO	COLOMBIA
CR	COSTA RICA
CU	CUBA
CV	CAPE VERDE
CW	CURAÇAO
CX	CHRISTMAS ISLAND

CY	CYPRUS
CZ	CZECHIA
DE	GERMANY
DJ	DJIBOUTI
DK	DENMARK
DM	DOMINICA
DO	DOMINICAN REPUBLIC
DZ	ALGERIA
EC	ECUADOR
EE	ESTONIA
EG	EGYPT
EH	WESTERN SAHARA
ER	ERITREA
ES	SPAIN
ET	ETHIOPIA
FI	FINLAND
FJ	FIJI
FK	FALKLAND ISLANDS (MALVINAS)
FM	MICRONESIA (FEDERATED STATES OF)
FO	FAROE ISLANDS
FR	FRANCE
GA	GABON
GB	UNITED KINGDOM OF GREAT BRITAIN AND NORTHERN IRELAND
GD	GRENADA
GE	GEORGIA
GF	FRENCH GUIANA
GG	GUERNSEY
GH	GHANA
GI	GIBRALTAR
GL	GREENLAND
GM	GAMBIA
GN	GUINEA
GP	GUADELOUPE
GQ	EQUATORIAL GUINEA
GR	GREECE

GS	SOUTH GEORGIA AND THE SOUTH SANDWICH ISLANDS
GT	GUATEMALA
GU	GUAM
GW	GUINEA-BISSAU
GY	GUYANA
HK	HONG KONG
HM	HEARD ISLAND AND MCDONALD ISLANDS
HN	HONDURAS
HR	CROATIA
HT	HAITI
HU	HUNGARY
ID	INDONESIA
IE	IRELAND
IL	ISRAEL
IM	ISLE OF MAN
IN	INDIA
IO	BRITISH INDIAN OCEAN TERRITORY
IQ	IRAQ
IR	IRAN (ISLAMIC REPUBLIC OF)
IS	ICELAND
IT	ITALY
JE	JERSEY
JM	JAMAICA
JO	JORDAN
JP	JAPAN
KE	KENYA
KG	KYRGYZSTAN
KH	CAMBODIA
KI	KIRIBATI
KM	COMOROS
KN	SAINT KITTS AND NEVIS
KP	KOREA (DEMOCRATIC PEOPLE'S REPUBLIC OF)
KR	KOREA, REPUBLIC OF
KW	KUWAIT
KY	CAYMAN ISLANDS

KZ	KAZAKHSTAN
LA	LAO PEOPLE'S DEMOCRATIC REPUBLIC
LB	LEBANON
LC	SAINT LUCIA
LI	LIECHTENSTEIN
LK	SRI LANKA
LR	LIBERIA
LS	LESOTHO
LT	LITHUANIA
LU	LUXEMBOURG
LV	LATVIA
LY	LIBYA
MA	MOROCCO
MC	MONACO
MD	MOLDOVA, REPUBLIC OF
ME	MONTENEGRO
MF	SAINT MARTIN (FRENCH PART)
MG	MADAGASCAR
MH	MARSHALL ISLANDS
MK	MACEDONIA, THE FORMER YUGOSLAV REPUBLIC OF
ML	MALI
MM	MYANMAR
MN	MONGOLIA
MO	MACAO
MP	NORTHERN MARIANA ISLANDS
MQ	MARTINIQUE
MR	MAURITANIA
MS	MONTSERRAT
MT	MALTA
MU	MAURITIUS
MV	MALDIVES
MW	MALAWI
MX	MEXICO
MY	MALAYSIA
MZ	MOZAMBIQUE

NA	NAMIBIA
NC	NEW CALEDONIA
NE	NIGER
NF	NORFOLK ISLAND
NG	NIGERIA
NI	NICARAGUA
NL	NETHERLANDS
NO	NORWAY
NP	NEPAL
NR	NAURU
NU	NIUE
NZ	NEW ZEALAND
OM	OMAN
PA	PANAMA
PE	PERU
PF	FRENCH POLYNESIA
PG	PAPUA NEW GUINEA
PH	PHILIPPINES
PK	PAKISTAN
PL	POLAND
PM	SAINT PIERRE AND MIQUELON
PN	PITCAIRN
PR	PUERTO RICO
PS	PALESTINE, STATE OF
PT	PORTUGAL
PW	PALAU
PY	PARAGUAY
QA	QATAR
RE	REUNION
RO	ROMANIA
RS	SERBIA
RU	RUSSIAN FEDERATION
RW	RWANDA
SA	SAUDI ARABIA
SB	SOLOMON ISLANDS

SC	SEYCHELLES
SD	SUDAN
SE	SWEDEN
SG	SINGAPORE
SH	SAINT HELENA, ASCENSION AND TRISTAN DA CUNHA
SI	SLOVENIA
SJ	SVALBARD AND JAN MAYEN
SK	SLOVAKIA
SL	SIERRA LEONE
SM	SAN MARINO
SN	SENEGAL
SO	SOMALIA
SR	SURINAME
SS	SOUTH SUDAN
ST	SAO TOME AND PRINCIPE
SV	EL SALVADOR
SX	SINT MAARTEN (DUTCH PART)
SY	SYRIAN ARAB REPUBLIC
SZ	SWAZILAND
TC	TURKS AND CAICOS ISLANDS
TD	CHAD
TF	FRENCH SOUTHERN TERRITORIES
TG	TOGO
TH	THAILAND
TJ	TAJIKISTAN
TK	TOKELAU
TL	TIMOR-LESTE
TM	TURKMENISTAN
TN	TUNISIA
TO	TONGA
TR	TURKEY
TT	TRINIDAD AND TOBAGO
TV	TUVALU
TW	TAIWAN, PROVINCE OF CHINA
TZ	TANZANIA, UNITED REPUBLIC OF

UA	UKRAINE
UG	UGANDA
UM	UNITED STATES MINOR OUTLYING ISLANDS
US	UNITED STATES OF AMERICA
UY	URUGUAY
UZ	UZBEKISTAN
VA	HOLY SEE
VC	SAINT VINCENT AND THE GRENADINES
VE	VENEZUELA (BOLIVARIAN REPUBLIC OF)
VG	VIRGIN ISLANDS, BRITISH
VI	VIRGIN ISLANDS, U.S.
VN	VIET NAM
VU	VANUATU
WF	WALLIS AND FUTUNA
WS	SAMOA
YE	YEMEN
YT	MAYOTTE
ZA	SOUTH AFRICA
ZM	ZAMBIA
ZW	ZIMBABWE

3227 Location function code qualifier

Code	Name/Description
162	Place or location of sale Place or location at which the sale takes place.

3453 Language name code

Code	Name/Description
AA	Afar
aa	Afar
AB	Abkhazian
ab	Abkhazian
AE	Avestan
ae	Avestan
AF	Afrikaans

af	Afrikaans
AK	Akan
ak	Akan
AM	Amharic
am	Amharic
AN	Aragonese
an	Aragonese
AR	Arabic
ar	Arabic
AS	Assamese
as	Assamese
AV	Avaric
av	Avaric
AY	Aymara
ay	Aymara
AZ	Azerbaijani
az	Azerbaijani
BA	Bashkir
ba	Bashkir
BE	Belarusian
be	Belarusian
BG	Bulgarian
bg	Bulgarian
BH	Bihari languages
bh	Bihari languages
BI	Bislama
bi	Bislama
BM	Bambara
bm	Bambara
BN	Bengali
bn	Bengali
BO	Tibetan
bo	Tibetan
BR	Breton
br	Breton

BS	Bosnian
bs	Bosnian
CA	Catalan; Valencian
ca	Catalan; Valencian
CE	Chechen
ce	Chechen
CH	Chamorro
ch	Chamorro
CO	Corsican
co	Corsican
CR	Cree
cr	Cree
CS	Czech
cs	Czech
CU	Church Slavonic; Old Slavonic; Church Slavonic; Old Bulgarian; Old Church Slavonic
cu	Church Slavonic; Old Slavonic; Church Slavonic; Old Bulgarian; Old Church Slavonic
CV	Chuvash
cv	Chuvash
CY	Welsh
cy	Welsh
DA	Danish
da	Danish
DE	German
de	German
DV	Divehi; Dhivehi; Maldivian
dv	Divehi; Dhivehi; Maldivian
DZ	Dzongkha
dz	Dzongkha
EE	Ewe
ee	Ewe
EL	Greek; Modern (1453-)
el	Greek; Modern (1453-)
EN	English
en	English
EO	Esperanto

eo	Esperanto
ES	Spanish; Castilian
es	Spanish; Castilian
ET	Estonian
et	Estonian
EU	Basque
eu	Basque
FA	Persian
fa	Persian
FF	Fulah
ff	Fulah
FI	Finnish
fi	Finnish
FJ	Fijian
fj	Fijian
FO	Faroese
fo	Faroese
FR	French
fr	French
FY	Western Frisian
fy	Western Frisian
GA	Irish
ga	Irish
GD	Gaelic; Scottish Gaelic
gd	Gaelic; Scottish Gaelic
GL	Galician
gl	Galician
GN	Guarani
gn	Guarani
GU	Gujarati
gu	Gujarati
GV	Manx
gv	Manx
HA	Hausa
ha	Hausa

HE	Hebrew
he	Hebrew
HI	Hindi
hi	Hindi
HO	Hiri Motu
ho	Hiri Motu
HR	Croatian
hr	Croatian
HT	Haitian; Haitian Creole
ht	Haitian; Haitian Creole
HU	Hungarian
hu	Hungarian
HY	Armenian
hy	Armenian
HZ	Herero
hz	Herero
IA	Interlingua (International Auxiliary Language Association)
ia	Interlingua (International Auxiliary Language Association)
ID	Indonesian
id	Indonesian
IE	Interlingue; Occidental
ie	Interlingue; Occidental
IG	Igbo
ig	Igbo
II	Sichuan Yi; Nuosu
ii	Sichuan Yi; Nuosu
IK	Inupiaq
ik	Inupiaq
IO	Ido
io	Ido
IS	Icelandic
is	Icelandic
IT	Italian
it	Italian
IU	Inuktitut

iu	Inuktiut
JA	Japanese
ja	Japanese
JV	Javanese
jv	Javanese
KA	Georgian
ka	Georgian
KG	Kongo
kg	Kongo
KI	Kikuyu; Gikuyu
ki	Kikuyu; Gikuyu
KJ	Kuanyama; Kwanyama
kj	Kuanyama; Kwanyama
KK	Kazakh
kk	Kazakh
KL	Kalaallisut; Greenlandic
kl	Kalaallisut; Greenlandic
KM	Central Khmer
km	Central Khmer
KN	Kannada
kn	Kannada
KO	Korean
ko	Korean
KR	Kanuri
kr	Kanuri
KS	Kashmiri
ks	Kashmiri
KU	Kurdish
ku	Kurdish
KV	Komi
kv	Komi
KW	Cornish
kw	Cornish
KY	Kirghiz; Kyrgyz
ky	Kirghiz; Kyrgyz

LA	Latin
la	Latin
LB	Luxembourgish; Letzeburgesch
lb	Luxembourgish; Letzeburgesch
LG	Ganda
lg	Ganda
LI	Limburgan; Limburger; Limburgish
li	Limburgan; Limburger; Limburgish
LN	Lingala
ln	Lingala
LO	Lao
lo	Lao
LT	Lithuanian
lt	Lithuanian
LU	Luba-Katanga
lu	Luba-Katanga
LV	Latvian
lv	Latvian
MG	Malagasy
mg	Malagasy
MH	Marshallese
mh	Marshallese
MI	Maori
mi	Maori
MK	Macedonian
mk	Macedonian
ML	Malayalam
ml	Malayalam
MN	Mongolian
mn	Mongolian
MO	Moldavian; Moldovan
mo	Moldavian; Moldovan
MR	Marathi
mr	Marathi
MS	Malay

ms	Malay
MT	Maltese
mt	Maltese
MY	Burmese
my	Burmese
NA	Nauru
na	Nauru
NB	Bokmal Norwegian; Norwegian Bokmal
nb	Bokmal Norwegian; Norwegian Bokmal
ND	Ndebele; North; North Ndebele
nd	Ndebele; North; North Ndebele
NE	Nepali
ne	Nepali
NG	Ndonga
ng	Ndonga
NL	Dutch; Flemish
nl	Dutch; Flemish
NN	Norwegian Nynorsk; Nynorsk, Norwegian
nn	Norwegian Nynorsk; Nynorsk, Norwegian
NO	Norwegian
no	Norwegian
NR	Ndebele; South; South Ndebele
nr	Ndebele; South; South Ndebele
NV	Navajo; Navaho
nv	Navajo; Navaho
NY	Chichewa; Chewa; Nyanja
ny	Chichewa; Chewa; Nyanja
OC	Occitan (post 1500)
oc	Occitan (post 1500)
OJ	Ojibwa
oj	Ojibwa
OM	Oromo
om	Oromo
OR	Oriya
or	Oriya

OS	Ossetian; Ossetic
os	Ossetian; Ossetic
PA	Panjabi; Punjabi
pa	Panjabi; Punjabi
PI	Pali
pi	Pali
PL	Polish
pl	Polish
PS	Pushto; Pashto
ps	Pushto; Pashto
PT	Portuguese
pt	Portuguese
QU	Quechua
qu	Quechua
RM	Romansh
rm	Romansh
RN	Rundi
rn	Rundi
RO	Romanian
ro	Romanian
RU	Russian
ru	Russian
RW	Kinyarwanda
rw	Kinyarwanda
SA	Sanskrit
sa	Sanskrit
SC	Sardinian
sc	Sardinian
SD	Sindhi
sd	Sindhi
SE	Northern Sami
se	Northern Sami
SG	Sango
sg	Sango
SI	Sinhala; Sinhalese

si	Sinhala; Sinhalese
SK	Slovak
sk	Slovak
SL	Slovenian
sl	Slovenian
SM	Samoaan
sm	Samoaan
SN	Shona
sn	Shona
SO	Somali
so	Somali
SQ	Albanian
sq	Albanian
SR	Serbian
sr	Serbian
SS	Swati
ss	Swati
ST	Sotho, Southern
st	Sotho, Southern
SU	Sundanese
su	Sundanese
SV	Swedish
sv	Swedish
SW	Swahili
sw	Swahili
TA	Tamil
ta	Tamil
TE	Telugu
te	Telugu
TG	Tajik
tg	Tajik
TH	Thai
th	Thai
TI	Tigrinya
ti	Tigrinya

TK	Turkmen
tk	Turkmen
TL	Tagalog
tl	Tagalog
TN	Tswana
tn	Tswana
TO	Tonga (Tonga Islands)
to	Tonga (Tonga Islands)
TR	Turkish
tr	Turkish
TS	Tsonga
ts	Tsonga
TT	Tatar
tt	Tatar
TW	Twi
tw	Twi
TY	Tahitian
ty	Tahitian
UG	Uighur; Uyghur
ug	Uighur; Uyghur
UK	Ukrainian
uk	Ukrainian
UR	Urdu
ur	Urdu
UZ	Uzbek
uz	Uzbek
VE	Venda
ve	Venda
VI	Vietnamese
vi	Vietnamese
VO	Volapük
vo	Volapük
WA	Walloon
wa	Walloon
WO	Wolof

wo	Wolof
XH	Xhosa
xh	Xhosa
YI	Yiddish
yi	Yiddish
YO	Yoruba
yo	Yoruba
ZA	Zhuang; Chuang
za	Zhuang; Chuang
ZH	Chinese
zh	Chinese
ZU	Zulu
zu	Zulu

4347 Product identifier code qualifier

Code	Name/Description
1	Additional identification Information which specifies and qualifies product identifications.

4404 Status description

Code	Name/Description
<STIHL Sales information 1>	Description of STIHL Sales information 1 - max. length 35 if 4405 Status description code is "ZN1"
<STIHL Sales information 2>	Description of STIHL Sales information 2 - max. length 35 if 4405 Status description code is "ZN2"
<STIHL Sales information 3>	Description of STIHL Sales information 3 - max. length 35 if 4405 Status description code is "ZN3"
<STIHL Sales information 4>	Description of STIHL Sales information 4 - max. length 35 if 4405 Status description code is "ZN4"
<STIHL Sales information 5>	Description of STIHL Sales information 5 - max. length 35 if 4405 Status description code is "ZN5"

4405 Status description code

Code	Name/Description
ZN1	STIHL Sales information 1
ZN2	STIHL Sales information 2
ZN3	STIHL Sales information 3

ZN4 STIHL Sales information 4

ZN5 STIHL Sales information 5

6063 Quantity type code qualifier

Code	Name/Description
------	------------------

212 Quantity sold, net
Net quantity sold which includes returns of saleable inventory and other adjustments.

6411 Measurement unit code

Code	Name/Description
------	------------------

EA each
A unit of count defining the number of items regarded as separate units.

7077 Description format code

Code	Name/Description
------	------------------

F Free-form
Description of an item in free form text.

7143 Item type identification code

Code	Name/Description
------	------------------

IN Buyer's item number
The item number has been allocated by the buyer.

SA Supplier's article number
Number assigned to an article by the supplier of that article.

7405 Object identification code qualifier

Code	Name/Description
------	------------------

BN Serial number
Identification number of an item which distinguishes this specific item out of a number of identical items.

ZZZ Mutually defined
Object identification mutually agreed between interchanging parties.

9015 Status category code

Code	Name/Description
------	------------------

ZZZ Mutually defined status for information about customer, machine and Navision specific segment