



EDI Implementation Documentation

## **EDIFACT 99B DESADV for customers**

based on

**DESADV**

Despatch advice message

**UN D.99B S4**

- **Structure Chart**
- **Branching Diagram**
- **Segment Details**

Version 1  
Variant 0  
Issue date 15.03.2011

**Structure / Table of Contents**

Counter	No	Tag	St	MaxOcc	Level	Content
	0000	1 <b>UNA</b>	C	1	0	Service string advice
	0000	2 <b>UNB</b>	M	1	0	Interchange header
	0010	3 <b>UNH</b>	M	1	0	Message header
	0020	4 <b>BGM</b>	M	1	0	Beginning of message
	0030	5 <b>DTM</b>	C	10	1	Date/time/period
	0050	6 <b>MEA</b>	C	5	1	Measurements
[	0110	<b>SG2</b>	C	99	1	NAD-LOC-SG3-SG4 BY
	0120	7 <b>NAD</b>	M	1	1	Name and address
	0170	<b>SG4</b>	C	10	2	CTA-COM
	0180	8 <b>CTA</b>	M	1	2	Contact information
	0190	9 <b>COM</b>	C	5	3	Communication contact
[	0110	<b>SG2</b>	C	99	1	NAD-LOC-SG3-SG4 DP
	0120	10 <b>NAD</b>	M	1	1	Name and address
	0170	<b>SG4</b>	C	10	2	CTA-COM
	0180	11 <b>CTA</b>	M	1	2	Contact information
	0190	12 <b>COM</b>	C	5	3	Communication contact
[	0110	<b>SG2</b>	C	99	1	NAD-LOC-SG3-SG4 SU
	0120	13 <b>NAD</b>	M	1	1	Name and address
	0170	<b>SG4</b>	C	10	2	CTA-COM
	0180	14 <b>CTA</b>	M	1	2	Contact information
	0190	15 <b>COM</b>	C	5	3	Communication contact
[	0110	<b>SG2</b>	C	99	1	NAD-LOC-SG3-SG4 CA
	0120	16 <b>NAD</b>	M	1	1	Name and address
	0170	<b>SG4</b>	C	10	2	CTA-COM
	0180	17 <b>CTA</b>	M	1	2	Contact information
	0190	18 <b>COM</b>	C	5	3	Communication contact
[	0200	<b>SG5</b>	C	10	1	TOD-LOC-FTX
	0210	19 <b>TOD</b>	M	1	1	Terms of delivery or transport
	0220	20 <b>LOC</b>	C	5	2	Place/location identification
	0230	21 <b>FTX</b>	C	5	2	Free text
	0240	<b>SG6</b>	C	10	1	TDT
[	0250	22 <b>TDT</b>	M	1	1	Details of transport
[	0390	<b>SG10</b>	C	9999	1	CPS-SG11-SG17
	0400	23 <b>CPS</b>	M	1	1	Consignment packing sequence
	0430	<b>SG11</b>	C	9999	2	PAC-MEA-SG13
	0440	24 <b>PAC</b>	M	1	2	Package
	0450	25 <b>MEA</b>	C	10	3	Measurements
[	0500	<b>SG13</b>	C	1000	3	PCI-SG16

Counter = Counter of segment/group within the standard  
 No = Consecutive segment number  
 MaxOcc = Maximum occurrence of the segment/group

St = Status  
 EDIFACT: M=Mandatory, C=Conditional  
 User specific: R=Required, O=Optional, D=Dependent,  
 A=Advised, N=Not used

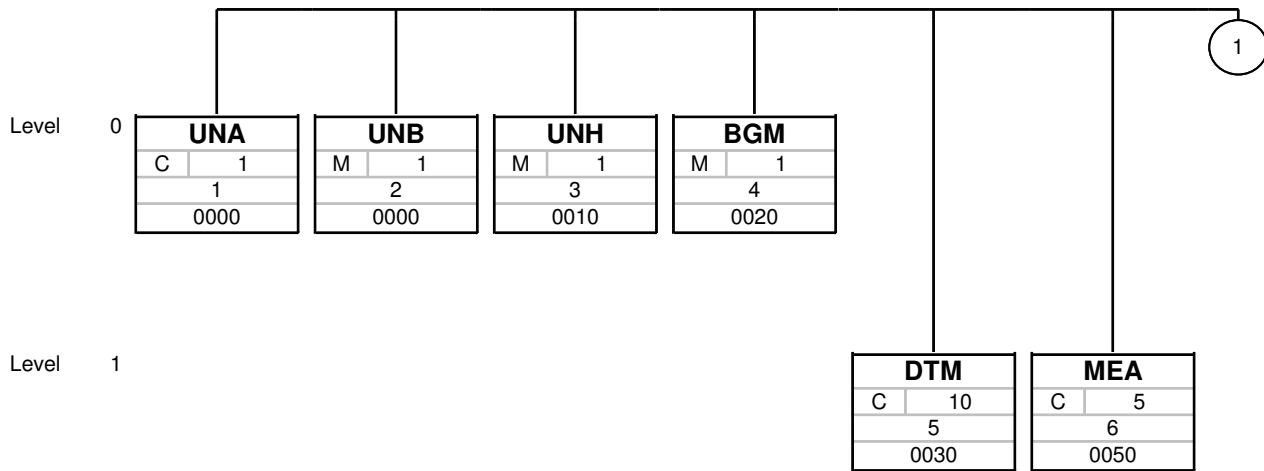
## Structure / Table of Contents

Counter	No	Tag	St	MaxOcc	Level	Content	
	0510	26	PCI	M	1	3	Package identification
	0600		SG16	C	99	4	COD-MEA
	0610	27	COD	M	1	4	Component details
	0620	28	MEA	C	9	5	Measurements
	0650		SG17	C	9999	2	LIN-PIA-IMD-QTY-GIN-FTX-SG18-SG19
	0660	29	LIN	M	1	2	Line item
	0670	30	PIA	C	10	3	Additional product id
	0680	31	IMD	C	25	3	Item description
	0700	32	QTY	C	10	3	Quantity
	0720	33	GIN	C	100	3	Goods identity number
	0800	34	FTX	C	99	3	Free text
	0820		SG18	C	99	3	RFF-DTM
	0830	35	RFF	M	1	3	Reference
	0860	36	DTM	C	1	4	Date/time/period
	0870		SG19	C	9999	3	DGS-FTX-FTX
	0880	37	DGS	M	1	3	Dangerous goods
	0900	38	FTX	C	5	4	Free text
	0900	39	FTX	C	5	4	Free text
	1140	40	CNT	C	5	1	Control total
	1150	41	UNT	M	1	0	Message trailer
	0000	42	UNZ	M	1	0	Interchange trailer

Counter = Counter of segment/group within the standard  
 No = Consecutive segment number  
 MaxOcc = Maximum occurrence of the segment/group

St = Status  
 EDIFACT: M=Mandatory, C=Conditional  
 User specific: R=Required, O=Optional, D=Dependent,  
 A=Advised, N=Not used

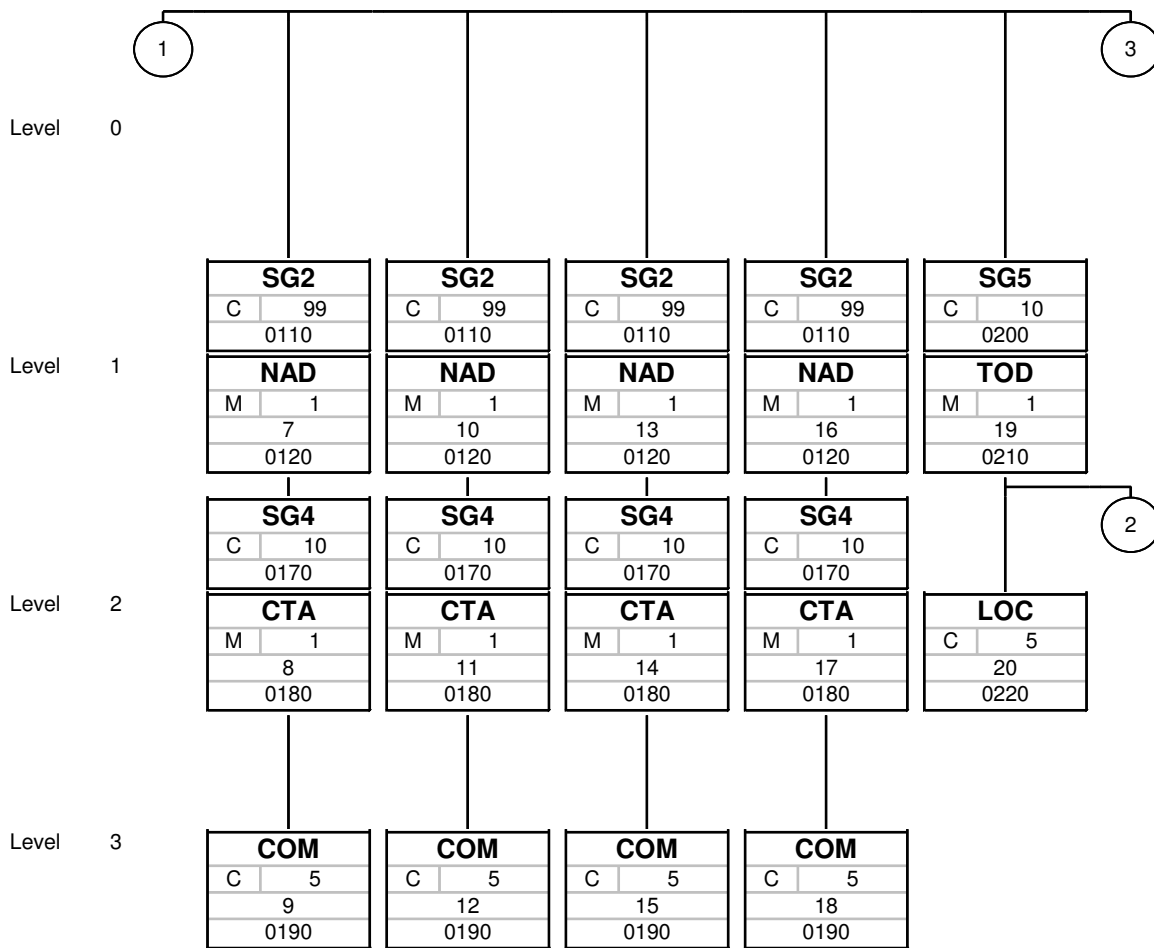
## Branching Diagram of Used Segments/Groups



Tag
St MaxOcc
No
Counter

Tag = Segment/Group Tag  
 St = Status (M=Mandatory, C=Conditional, R=Required, O=Optional, A=Advised, D=Dependent)  
 MaxOcc = Maximum occurrence of the segment/group  
 No = Consecutive segment number  
 Counter = Counter of segment/group within the standard

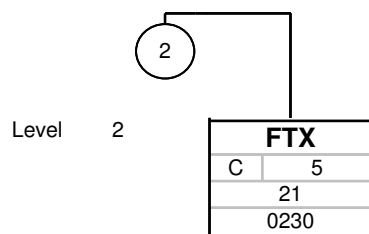
## Branching Diagram of Used Segments/Groups



Tag
St MaxOcc
No
Counter

Tag = Segment/Group Tag  
 St = Status (M=Mandatory, C=Conditional, R=Required, O=Optional, A=Advised, D=Dependent)  
 MaxOcc = Maximum occurrence of the segment/group  
 No = Consecutive segment number  
 Counter = Counter of segment/group within the standard

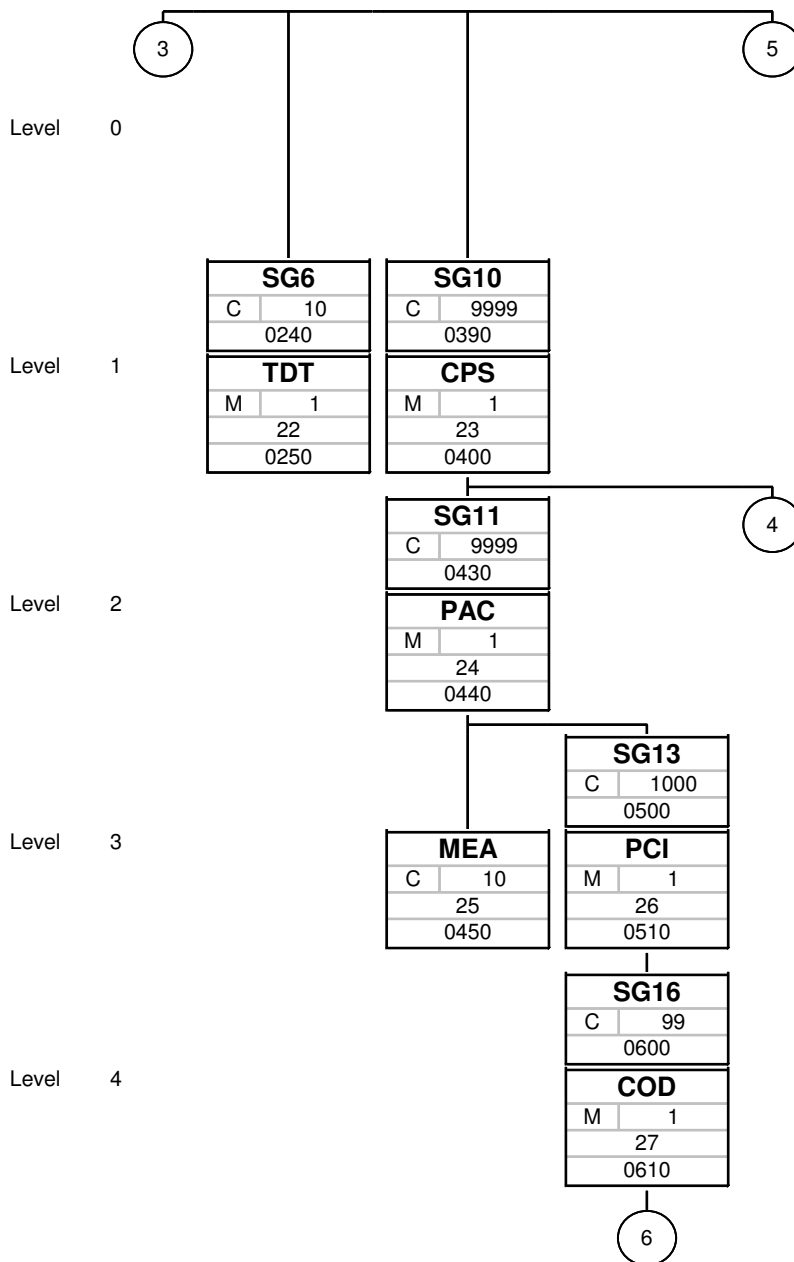
## Branching Diagram of Used Segments/Groups



Tag
St MaxOcc
No
Counter

Tag = Segment/Group Tag  
 St = Status (M=Mandatory, C=Conditional, R=Required, O=Optional, A=Advised, D=Dependent)  
 MaxOcc = Maximum occurrence of the segment/group  
 No = Consecutive segment number  
 Counter = Counter of segment/group within the standard

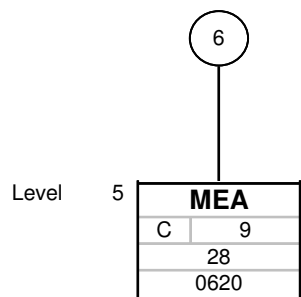
### Branching Diagram of Used Segments/Groups



Tag
St MaxOcc
No
Counter

Tag = Segment/Group Tag  
 St = Status (M=Mandatory, C=Conditional, R=Required, O=Optional, A=Advised, D=Dependent)  
 MaxOcc = Maximum occurrence of the segment/group  
 No = Consecutive segment number  
 Counter = Counter of segment/group within the standard

## Branching Diagram of Used Segments/Groups

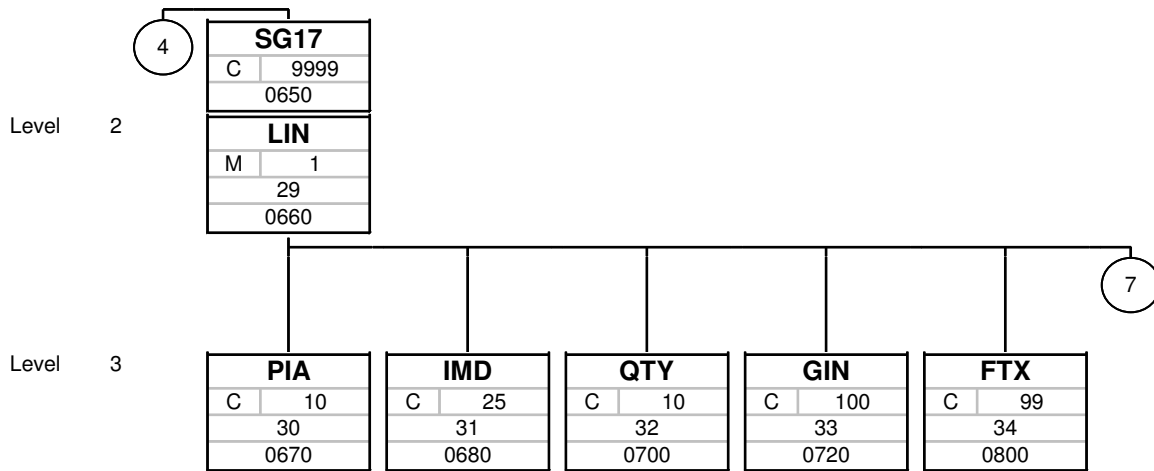


Tag
St    MaxOcc
No
Counter

Tag = Segment/Group Tag  
 St = Status (M=Mandatory, C=Conditional, R=Required, O=Optional, A=Advised, D=Dependent)  
 MaxOcc = Maximum occurrence of the segment/group  
 No = Consecutive segment number  
 Counter = Counter of segment/group within the standard



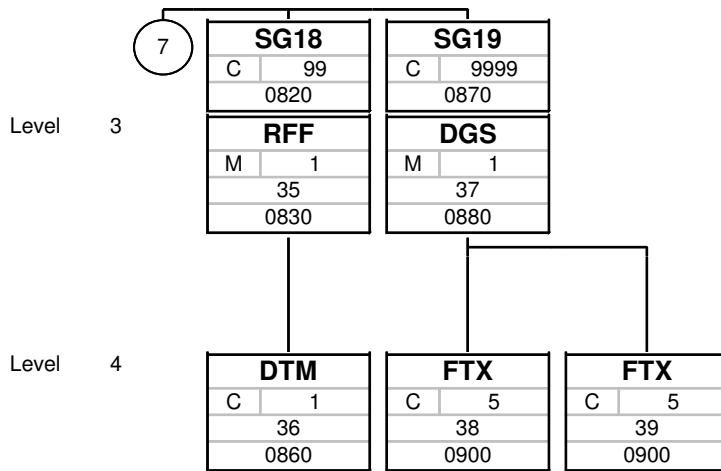
**Branching Diagram of Used Segments/Groups**



Tag
St MaxOcc
No
Counter

Tag = Segment/Group Tag  
 St = Status (M=Mandatory, C=Conditional, R=Required, O=Optional, A=Advised, D=Dependent)  
 MaxOcc = Maximum occurrence of the segment/group  
 No = Consecutive segment number  
 Counter = Counter of segment/group within the standard

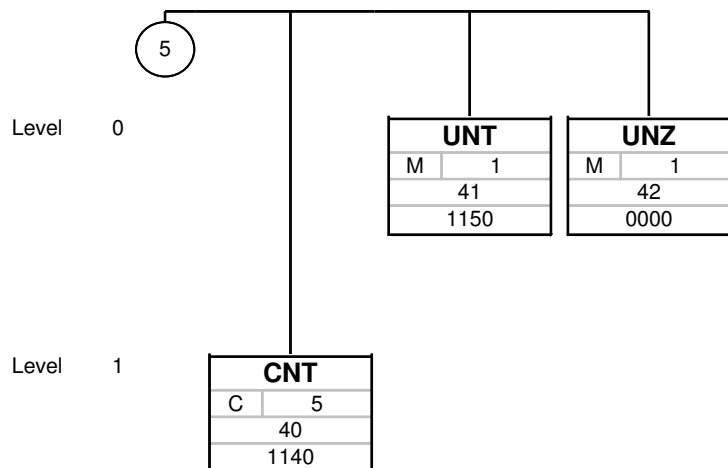
## Branching Diagram of Used Segments/Groups



Tag
St MaxOcc
No
Counter

Tag = Segment/Group Tag  
 St = Status (M=Mandatory, C=Conditional, R=Required, O=Optional, A=Advised, D=Dependent)  
 MaxOcc = Maximum occurrence of the segment/group  
 No = Consecutive segment number  
 Counter = Counter of segment/group within the standard

## Branching Diagram of Used Segments/Groups



Tag
St MaxOcc
No
Counter

Tag = Segment/Group Tag  
 St = Status (M=Mandatory, C=Conditional, R=Required, O=Optional, A=Advised, D=Dependent)  
 MaxOcc = Maximum occurrence of the segment/group  
 No = Consecutive segment number  
 Counter = Counter of segment/group within the standard

## Segments

Counter	No	Tag	St	MaxOcc	Level	Name
0000	1	<b>UNA</b>	C	1	0	Service string advice

Standard			Implementation	
Tag	Name	St Format	St Format	Usage / Remark
UNA				
UNA1	Component data element separator	M an1	M an1	
UNA2	Data element separator	M an1	M an1	
UNA3	Decimal mark	M an1	M an1	
UNA4	Release character	M an1	M an1	
UNA5	Repetition separator	M an1	M an1	
UNA6	Segment terminator	M an1	M an1	

**Remark:**

**Example:**

UNA:+. ? \* '

No = Consecutive segment number  
 MaxOcc = Maximum occurrence of the segment/group  
 Counter = Counter of segment/group within the standard

St = Status  
 EDIFACT: M=Mandatory, C=Conditional  
 User specific: R=Required, O=Optional, D=Dependent,  
 A=Advised, N=Not used

## Segments

Counter	No	Tag	St	MaxOcc	Level	Name
0000	2	<b>UNB</b>	M	1	0	Interchange header

Standard			Implementation	
Tag	Name	St Format	St Format	Usage / Remark
UNB				
S001	Syntax identifier	M	M	<b>UNOC UN/ECE level C</b>
0001	Syntax identifier	M a4	M a4	
0002	Syntax version number	M an1	M an1	
S002	Interchange sender	M	M	<b>ZZZ Mutually defined</b>
0004	Interchange sender identification	M an..35	M an..35	
0007	Identification code qualifier	C an..4	C an..4	
S003	Interchange recipient	M	M	<b>ZZZ Mutually defined</b>
0010	Interchange recipient identification	M an..35	M an..35	
0007	Identification code qualifier	C an..4	C an..4	
S004	Date and time of preparation	M	M	
0017	Date	M n8	M n8	
0019	Time	M n4	M n4	
0020	Interchange control reference	M an..14	M an..14	

**Remark:**

**Example:**

UNB+UNOC:4+STIHL\_WN:ZZZ+CUSTOMER\_ID:ZZZ+20110330:1047+83'

No = Consecutive segment number  
 MaxOcc = Maximum occurrence of the segment/group  
 Counter = Counter of segment/group within the standard

St = Status  
 EDIFACT: M=Mandatory, C=Conditional  
 User specific: R=Required, O=Optional, D=Dependent,  
 A=Advised, N=Not used

## Segments

Counter	No	Tag	St	MaxOcc	Level	Name
0010	3	<b>UNH</b>	M	1	0	Message header

Standard			Implementation	
Tag	Name	St Format	St Format	Usage / Remark
UNH				
0062	Message reference number	M an..14	M an..14	
S009	Message identifier	M	M	
0065	Message type	M an..6	M an..6	<b>DESADV Despatch advice message</b>
0052	Message version number	M an..3	M an..3	<b>D Draft version/UN/EDIFACT Directory</b>
0054	Message release number	M an..3	M an..3	<b>99B Release 1999 - B</b>
0051	Controlling agency, coded	M an..3	M an..3	<b>UN UN/CEFACT</b>

**Remark:**

**Example:**

UNH+89+DESADV : D : 99B : UN '

No = Consecutive segment number  
 MaxOcc = Maximum occurrence of the segment/group  
 Counter = Counter of segment/group within the standard

St = Status  
 EDIFACT: M=Mandatory, C=Conditional  
 User specific: R=Required, O=Optional, D=Dependent,  
 A=Advised, N=Not used

## Segments

Counter	No	Tag	St	MaxOcc	Level	Name
0020	4	<b>BGM</b>	M	1	0	Beginning of message

Standard			Implementation	
Tag	Name	St Format	St Format	Usage / Remark
BGM				
C002	Document/message name	C	C	
1001	Document name code	C an..3	C an..3	<b>351 Despatch advise</b>
1000	Document name	C an..35	C an..35	<b>Despatch advise</b>
C106	Document/message identification	C	C	
1004	Document/message number	C an..35	C an..35	Despatch advice number assigned by supplier
1225	Message function code	C an..3	C an..3	<b>9 Original</b>

**Remark:**

**Example:**

BGM+351:::Despatch advise+DEL5468904-A+9'

No = Consecutive segment number  
 MaxOcc = Maximum occurrence of the segment/group  
 Counter = Counter of segment/group within the standard

St = Status  
 EDIFACT: M=Mandatory, C=Conditional  
 User specific: R=Required, O=Optional, D=Dependent,  
 A=Advised, N=Not used

## Segments

Counter	No	Tag	St	MaxOcc	Level	Name
0030	5	<b>DTM</b>	C	10	1	Date/time/period

Standard			Implementation	
Tag	Name	St Format	St Format	Usage / Remark
DTM				
C507	Date/time/period	M	M	<b>11 Despatch date and or time</b> <b>137 Document/message date/time</b> <b>191 Delivery date/time, expected</b> Code 11 describes when the goods leave the supplier premises (mandatory) Code 137 explains when delivery note was created (mandatory) Code 191 explains when the goods are to arrive at the destination (optional)
2005	Date/time/period function code qualifier	M an..3	M an..3	
2380	Date/time/period value	C an..35	C an..35	
2379	Date/time/period format code	C an..3	C an..3	<b>102 CCYYMMDD</b>

**Remark:**

**Example:**

DTM+11:20110328:102'

No = Consecutive segment number  
 MaxOcc = Maximum occurrence of the segment/group  
 Counter = Counter of segment/group within the standard

St = Status  
 EDIFACT: M=Mandatory, C=Conditional  
 User specific: R=Required, O=Optional, D=Dependent, A=Advised, N=Not used



## Segments

Counter	No	Tag	St	MaxOcc	Level	Name
0050	6	<b>MEA</b>	C	5	1	<b>Measurements</b>

Standard			Implementation	
Tag	Name	St Format	St Format	Usage / Remark
MEA				
6311	Measurement attribute code	M an..3	M an..3	<b>AAX Consignment measurement</b>
C502	Measurement details	C	C	<b>AAD Total gross weight</b>
6313	Measured attribute code	C an..3	C an..3	
6321	Measurement significance, coded	C an..3	C an..3	
C174	Value/range	C	C	<b>KGM kilogram</b>
6411	Measurement unit code	M an..3	M an..3	
6314	Measurement value	C an..18	C an..18	

**Remark:**

**Example:**

MEA+AAX+AAD:3+KGM:2500'

No = Consecutive segment number  
 MaxOcc = Maximum occurrence of the segment/group  
 Counter = Counter of segment/group within the standard

St = Status  
 EDIFACT: M=Mandatory, C=Conditional  
 User specific: R=Required, O=Optional, D=Dependent,  
 A=Advised, N=Not used

## Segments

Counter	No	Tag	St	MaxOcc	Level	Name
0110		<b>SG2</b>	C	99	1	<b>NAD-LOC-SG3-SG4 BY</b>
0120	7	<b>NAD</b>	M	1	1	<b>Name and address</b>

Standard			Implementation	
Tag	Name	St Format	St Format	Usage / Remark
NAD				
3035	Party function code qualifier	M an..3	M an..3	<b>BY Buyer</b>
C082	Party identification details	C	C	<b>91 Assigned by seller or seller's agent</b>
3039	Party identifier	M an..35	M an..35	
3055	Code list responsible agency code	C an..3	C an..3	
C080	Party name	C	C	
3036	Party name	M an..35	M an..35	
C059	Street	C	C	
3042	Street and number/p.o. box	M an..35	M an..35	
3164	City name	C an..35	C an..35	
3251	Postal identification code	C an..17	C an..17	
3207	Country name code	C an..3	C an..3	

**Remark:**

**Example:**

NAD+BY+815007::91++Haig&Mark+Castleview Lane 31+Ebony City++72401+NZ'

No = Consecutive segment number  
 MaxOcc = Maximum occurrence of the segment/group  
 Counter = Counter of segment/group within the standard

St = Status  
 EDIFACT: M=Mandatory, C=Conditional  
 User specific: R=Required, O=Optional, D=Dependent,  
 A=Advised, N=Not used

## Segments

Counter	No	Tag	St	MaxOcc	Level	Name
0170		<b>SG4</b>	C	10	2	<b>CTA-COM</b>
0180	8	<b>CTA</b>	M	1	2	<b>Contact information</b>

Standard			Implementation	
Tag	Name	St Format	St Format	Usage / Remark
CTA				
3139	Contact function code	C an..3	C an..3	<b>PD Purchasing contact</b>
C056	Department or employee details	C	C	
3412	Department or employee	C an..35	C an..35	

**Remark:**

**Example:**

CTA+PD+:Thomas Weller'

No = Consecutive segment number  
 MaxOcc = Maximum occurrence of the segment/group  
 Counter = Counter of segment/group within the standard

St = Status  
 EDIFACT: M=Mandatory, C=Conditional  
 User specific: R=Required, O=Optional, D=Dependent,  
 A=Advised, N=Not used

## Segments

Counter	No	Tag	St	MaxOcc	Level	Name
0170		<b>SG4</b>	C	10	2	<b>CTA-COM</b>
0190	9	<b>COM</b>	C	5	3	<b>Communication contact</b>

Standard			Implementation	
Tag	Name	St Format	St Format	Usage / Remark
COM				
C076	Communication contact	M	M	
3148	Communication number	M an..512	M an..512	
3155	Communication number code qualifier	M an..3	M an..3	<b>FX Telefax</b> <b>EM Electronic mail</b> <b>TE Telephone</b>

**Remark:**

**Example:**

COM+07474268614:TE'

No = Consecutive segment number  
MaxOcc = Maximum occurrence of the segment/group  
Counter = Counter of segment/group within the standard

St = Status  
EDIFACT: M=Mandatory, C=Conditional  
User specific: R=Required, O=Optional, D=Dependent,  
A=Advised, N=Not used

## Segments

Counter	No	Tag	St	MaxOcc	Level	Name
	0110	<b>SG2</b>	C	99	1	<b>NAD-LOC-SG3-SG4 DP</b>
	0120	<b>NAD</b>	M	1	1	<b>Name and address</b>

Standard			Implementation	
Tag	Name	St Format	St Format	Usage / Remark
NAD				
3035	Party function code qualifier	M an..3	M an..3	<b>DP Delivery party</b>
C082	Party identification details	C	C	<b>91 Assigned by seller or seller's agent</b>
3039	Party identifier	M an..35	M an..35	
3055	Code list responsible agency code	C an..3	C an..3	
C080	Party name	C	C	
3036	Party name	M an..35	M an..35	
C059	Street	C	C	
3042	Street and number/p.o. box	M an..35	M an..35	
3164	City name	C an..35	C an..35	
3251	Postal identification code	C an..17	C an..17	
3207	Country name code	C an..3	C an..3	

**Remark:**

**Example:**

NAD+DP+724010815::91++Haig&Mark+Warehouse Road 23+Ebony City++72401+NZ'

No = Consecutive segment number  
 MaxOcc = Maximum occurrence of the segment/group  
 Counter = Counter of segment/group within the standard

St = Status  
 EDIFACT: M=Mandatory, C=Conditional  
 User specific: R=Required, O=Optional, D=Dependent,  
 A=Advised, N=Not used

## Segments

Counter	No	Tag	St	MaxOcc	Level	Name
	0170	<b>SG4</b>	C	10	2	<b>CTA-COM</b>
	0180	<b>CTA</b>	M	1	2	<b>Contact information</b>

Standard			Implementation	
Tag	Name	St Format	St Format	Usage / Remark
CTA				
3139	Contact function code	C an..3	C an..3	<b>GR Goods receiving contact</b>
C056	Department or employee details	C	C	
3412	Department or employee	C an..35	C an..35	

**Remark:**

**Example:**

CTA+GR+:Paul Emany'

No = Consecutive segment number  
 MaxOcc = Maximum occurrence of the segment/group  
 Counter = Counter of segment/group within the standard

St = Status  
 EDIFACT: M=Mandatory, C=Conditional  
 User specific: R=Required, O=Optional, D=Dependent,  
 A=Advised, N=Not used

## Segments

Counter	No	Tag	St	MaxOcc	Level	Name
	0170	<b>SG4</b>	C	10	2	<b>CTA-COM</b>
	0190	<b>COM</b>	C	5	3	<b>Communication contact</b>

Standard			Implementation	
Tag	Name	St Format	St Format	Usage / Remark
COM				
C076	Communication contact	M	M	
3148	Communication number	M an..512	M an..512	
3155	Communication number code qualifier	M an..3	M an..3	<b>FX Telefax</b> <b>EM Electronic mail</b> <b>TE Telephone</b>

**Remark:**

**Example:**

COM+07474261809:TE'

No = Consecutive segment number  
 MaxOcc = Maximum occurrence of the segment/group  
 Counter = Counter of segment/group within the standard

St = Status  
 EDIFACT: M=Mandatory, C=Conditional  
 User specific: R=Required, O=Optional, D=Dependent,  
 A=Advised, N=Not used

## Segments

Counter	No	Tag	St	MaxOcc	Level	Name
	0110	<b>SG2</b>	C	99	1	<b>NAD-LOC-SG3-SG4 SU</b>
	0120	<b>NAD</b>	M	1	1	<b>Name and address</b>

Standard			Implementation	
Tag	Name	St Format	St Format	Usage / Remark
NAD				
3035	Party function code qualifier	M an..3	M an..3	<b>SU Supplier</b>
C082	Party identification details	C	C	<b>92 Assigned by buyer or buyer's agent</b>
3039	Party identifier	M an..35	M an..35	
3055	Code list responsible agency code	C an..3	C an..3	
C080	Party name	C	C	
3036	Party name	M an..35	M an..35	
C059	Street	C	C	
3042	Street and number/p.o. box	M an..35	M an..35	
3164	City name	C an..35	C an..35	
3251	Postal identification code	C an..17	C an..17	
3207	Country name code	C an..3	C an..3	

**Remark:**

**Example:**

NAD+SU+743334::92++STIHL LTD.+9 Bishop Browne Place+AUCKLAND++1730+NZ'

No = Consecutive segment number  
 MaxOcc = Maximum occurrence of the segment/group  
 Counter = Counter of segment/group within the standard

St = Status  
 EDIFACT: M=Mandatory, C=Conditional  
 User specific: R=Required, O=Optional, D=Dependent,  
 A=Advised, N=Not used



## Segments

Counter	No	Tag	St	MaxOcc	Level	Name
	0170	<b>SG4</b>	C	10	2	<b>CTA-COM</b>
	0180	<b>CTA</b>	M	1	2	<b>Contact information</b>

Standard			Implementation	
Tag	Name	St Format	St Format	Usage / Remark
CTA				
3139	Contact function code	C an..3	C an..3	<b>SR Sales representative or department</b>
C056	Department or employee details	C	C	
3412	Department or employee	C an..35	C an..35	

**Remark:**

**Example:**

CTA+SR+:Dean Bunny'

No = Consecutive segment number  
 MaxOcc = Maximum occurrence of the segment/group  
 Counter = Counter of segment/group within the standard

St = Status  
 EDIFACT: M=Mandatory, C=Conditional  
 User specific: R=Required, O=Optional, D=Dependent,  
 A=Advised, N=Not used

## Segments

Counter	No	Tag	St	MaxOcc	Level	Name
0170		<b>SG4</b>	C	10	2	<b>CTA-COM</b>
0190	15	<b>COM</b>	C	5	3	<b>Communication contact</b>

Standard			Implementation	
Tag	Name	St Format	St Format	Usage / Remark
COM				
C076	Communication contact	M	M	
3148	Communication number	M an..512	M an..512	
3155	Communication number code qualifier	M an..3	M an..3	<b>FX Telefax</b> <b>EM Electronic mail</b> <b>TE Telephone</b>

**Remark:**

**Example:**

COM+92624123:TE'

No = Consecutive segment number  
 MaxOcc = Maximum occurrence of the segment/group  
 Counter = Counter of segment/group within the standard

St = Status  
 EDIFACT: M=Mandatory, C=Conditional  
 User specific: R=Required, O=Optional, D=Dependent,  
 A=Advised, N=Not used

## Segments

Counter	No	Tag	St	MaxOcc	Level	Name
	0110	<b>SG2</b>	C	99	1	<b>NAD-LOC-SG3-SG4 CA</b>
	0120	<b>NAD</b>	M	1	1	<b>Name and address</b>

Standard			Implementation	
Tag	Name	St Format	St Format	Usage / Remark
NAD				
3035	Party function code qualifier	M an..3	M an..3	<b>CA Carrier</b>
C080	Party name	C	C	
3036	Party name	M an..35	M an..35	
C059	Street	C	C	
3042	Street and number/p.o. box	M an..35	M an..35	
3164	City name	C an..35	C an..35	
3251	Postal identification code	C an..17	C an..17	
3207	Country name code	C an..3	C an..3	

**Remark:**

**Example:**

NAD+CA+++Fred Schuoner+Halen Camp 17+Haiterway++4739+NZ'

No = Consecutive segment number  
 MaxOcc = Maximum occurrence of the segment/group  
 Counter = Counter of segment/group within the standard

St = Status  
 EDIFACT: M=Mandatory, C=Conditional  
 User specific: R=Required, O=Optional, D=Dependent,  
 A=Advised, N=Not used

## Segments

Counter	No	Tag	St	MaxOcc	Level	Name
	0170	<b>SG4</b>	C	10	2	<b>CTA-COM</b>
	0180	<b>CTA</b>	M	1	2	<b>Contact information</b>

Standard			Implementation	
Tag	Name	St Format	St Format	Usage / Remark
CTA				
3139	Contact function code	C an..3	C an..3	<b>CA Carrier</b>
C056	Department or employee details	C	C	
3412	Department or employee	C an..35	C an..35	

**Remark:**

**Example:**

CTA+CA+:Sam Brenner'

No = Consecutive segment number  
 MaxOcc = Maximum occurrence of the segment/group  
 Counter = Counter of segment/group within the standard

St = Status  
 EDIFACT: M=Mandatory, C=Conditional  
 User specific: R=Required, O=Optional, D=Dependent,  
 A=Advised, N=Not used

## Segments

Counter	No	Tag	St	MaxOcc	Level	Name
	0170	<b>SG4</b>	C	10	2	<b>CTA-COM</b>
	0190	18 <b>COM</b>	C	5	3	<b>Communication contact</b>

Standard			Implementation	
Tag	Name	St Format	St Format	Usage / Remark
COM				
C076	Communication contact	M	M	
3148	Communication number	M an..512	M an..512	
3155	Communication number code qualifier	M an..3	M an..3	<b>FX Telefax</b> <b>EM Electronic mail</b> <b>TE Telephone</b>

**Remark:**

**Example:**

COM+07452/9845-0:TE'

No = Consecutive segment number  
 MaxOcc = Maximum occurrence of the segment/group  
 Counter = Counter of segment/group within the standard

St = Status  
 EDIFACT: M=Mandatory, C=Conditional  
 User specific: R=Required, O=Optional, D=Dependent,  
 A=Advised, N=Not used

## Segments

Counter	No	Tag	St	MaxOcc	Level	Name
0200		SG5	C	10	1	TOD-LOC-FTX
0210	19	TOD	M	1	1	Terms of delivery or transport

Standard			Implementation	
Tag	Name	St Format	St Format	Usage / Remark
TOD				
4055	Terms of delivery or transport function, coded	C an..3	C an..3	<b>6 Delivery condition</b>
C100	Terms of delivery or transport	C	C	
4053	Delivery or transport terms description code	C an..3	C an..3	
4052	Delivery or transport terms description	C an..70	C an..70	

**Remark:**

**Example:**

TOD+6++EXW:::Pick up by customer ex works'

No = Consecutive segment number  
 MaxOcc = Maximum occurrence of the segment/group  
 Counter = Counter of segment/group within the standard

St = Status  
 EDIFACT: M=Mandatory, C=Conditional  
 User specific: R=Required, O=Optional, D=Dependent,  
 A=Advised, N=Not used

## Segments

Counter	No	Tag	St	MaxOcc	Level	Name	
	0200	<b>SG5</b>	C	10	1	<b>TOD-LOC-FTX</b>	
	0220	20	<b>LOC</b>	C	5	2	<b>Place/location identification</b>

Standard			Implementation	
Tag	Name	St Format	St Format	Usage / Remark
LOC				
3227	Location function code qualifier	M an..3	M an..3	<b>1 Place of terms of delivery</b>
C517	Location identification	C	C	
3224	Location name	C an..256	C an..256	

**Remark:**

**Example:**

LOC+1+:::Dodge City'

No = Consecutive segment number  
 MaxOcc = Maximum occurrence of the segment/group  
 Counter = Counter of segment/group within the standard

St = Status  
 EDIFACT: M=Mandatory, C=Conditional  
 User specific: R=Required, O=Optional, D=Dependent,  
 A=Advised, N=Not used

## Segments

Counter	No	Tag	St	MaxOcc	Level	Name
	0200	<b>SG5</b>	C	10	1	TOD-LOC-FTX
	0230	<b>FTX</b>	C	5	2	Free text

Standard			Implementation	
Tag	Name	St Format	St Format	Usage / Remark
FTX				
4451	Text subject code qualifier	M an..3	M an..3	<b>DEL</b> Delivery information <b>AAI</b> General information
C108	Text literal	C	C	
4440	Free text value	M an..512	M an..512	
3453	Language name code	C an..3	C an..3	<b>DE</b> German <b>EN</b> English <b>PT</b> Portuguese

**Remark:**

**Example:**

FTX+DEL+++Transport is delivered in a big truck+EN'

No = Consecutive segment number  
 MaxOcc = Maximum occurrence of the segment/group  
 Counter = Counter of segment/group within the standard

St = Status  
 EDIFACT: M=Mandatory, C=Conditional  
 User specific: R=Required, O=Optional, D=Dependent,  
 A=Advised, N=Not used



## Segments

Counter	No	Tag	St	MaxOcc	Level	Name
	0240	<b>SG6</b>	C	10	1	<b>TDT</b>
	0250	<b>TDT</b>	M	1	1	<b>Details of transport</b>

Standard			Implementation	
Tag	Name	St Format	St Format	Usage / Remark
TDT				
8051	Transport stage code qualifier	M an..3	M an..3	<b>20 Main-carriage transport</b>
8028	Conveyance reference number	C an..17	C an..17	Waybill number
C220	Mode of transport	C	C	
8067	Transport mode name code	C an..3	C an..3	<b>10 Maritime transport</b> <b>20 Rail transport</b> <b>30 Road transport</b> <b>40 Air transport</b> <b>50 Mail</b> <b>90 Mode unknown</b> Code 50 also includes parcel express services Code 90 represents collection by the customer

**Remark:**

**Example:**

TDT+20+WB3579650+10'

No = Consecutive segment number  
 MaxOcc = Maximum occurrence of the segment/group  
 Counter = Counter of segment/group within the standard

St = Status  
 EDIFACT: M=Mandatory, C=Conditional  
 User specific: R=Required, O=Optional, D=Dependent,  
 A=Advised, N=Not used

## Segments

Counter	No	Tag	St	MaxOcc	Level	Name
0390		<b>SG10</b>	C	9999	1	<b>CPS-SG11-SG17</b>
0400	23	<b>CPS</b>	M	1	1	<b>Consignment packing sequence</b>

Standard			Implementation	
Tag	Name	St Format	St Format	Usage / Remark
CPS				
7164	Hierarchical structure level identifier	M an..35	M an..35	Start this field with 1 and increment for each handling unit by 1
7166	Hierarchical structure parent identifier	C an..35	C an..35	<b>DUMMY</b>
7075	Packaging level, coded	C an..3	C an..3	<b>4 No packaging hierarchy</b>

**Remark:**

Several suppliers in the STIHL group can not determine during the warehouse goods out process which delivery line item number is in which package. Although each package may have a package number that is also barcoded on a package label. This also means that it can not be said which serial number is packed into which package number.

If this is the case...

... CPS DE 7166 has the value DUMMY

... CPS DE7164 is usually a counter per delivery line item.

Nevertheless the allocation between delivery line item and serial number is clear and is expressed in this message.

**Example:**

CPS+1++4'

No = Consecutive segment number  
 MaxOcc = Maximum occurrence of the segment/group  
 Counter = Counter of segment/group within the standard

St = Status  
 EDIFACT: M=Mandatory, C=Conditional  
 User specific: R=Required, O=Optional, D=Dependent,  
 A=Advised, N=Not used

## Segments

Counter	No	Tag	St	MaxOcc	Level	Name	
	0430	<b>SG11</b>	C	9999	2	<b>PAC-MEA-SG13</b>	
	0440	24	<b>PAC</b>	M	1	2	<b>Package</b>

Standard			Implementation	
Tag	Name	St Format	St Format	Usage / Remark
<b>PAC</b>				
7224	Number of packages	C n..8	C n..8	<b>1</b> The PAC segment always describes one handling unit which is triggered in the CPS segment in SG 10. Therefore DE 7224 always has the value of "1". If CPS DE 7166 has the value DUMMY then DE7224 remains empty
C531	Packaging details	C	C	<b>4 No packaging hierarchy</b>
7075	Packaging level, coded	C an..3	C an..3	
C202	Package type	C	C	<b>BXG Cardboard box (general item, no further specification)</b> <b>EPG Euro pallet 1200x800x120 mm (general item, no further specifications)</b> <b>FPG Flat pallet (general item, no further specifications)</b> <b>NPA No package type information available</b> By coordination of STIHL ClearingCenter further package type codes can be added.
7065	Package type description code	C an..17	C an..17	

**Remark:**

**Example:**

PAC+1+4+EPG'

No = Consecutive segment number  
 MaxOcc = Maximum occurrence of the segment/group  
 Counter = Counter of segment/group within the standard

St = Status  
 EDIFACT: M=Mandatory, C=Conditional  
 User specific: R=Required, O=Optional, D=Dependent,  
 A=Advised, N=Not used

## Segments

Counter	No	Tag	St	MaxOcc	Level	Name
	0430	<b>SG11</b>	C	9999	2	<b>PAC-MEA-SG13</b>
	0450	<b>MEA</b>	C	10	3	<b>Measurements</b>

Standard			Implementation	
Tag	Name	St Format	St Format	Usage / Remark
<b>MEA</b>				
6311	Measurement attribute code	M an..3	M an..3	<b>WT Weights</b>
C502	Measurement details	C	C	<b>AAD Total gross weight</b>
6313	Measured attribute code	C an..3	C an..3	
6321	Measurement significance, coded	C an..3	C an..3	
C174	Value/range	C	C	<b>KGM kilogram</b>
6411	Measurement unit code	M an..3	M an..3	
6314	Measurement value	C an..18	C an..18	

**Remark:**

Measurements of the HU.

If CPS DE 7166 has the value DUMMY then the MEA segment is omitted (no HU available) completely.

**Example:**

MEA+WT+AAD : 3+KGM : 250 '

No = Consecutive segment number  
 MaxOcc = Maximum occurrence of the segment/group  
 Counter = Counter of segment/group within the standard

St = Status  
 EDIFACT: M=Mandatory, C=Conditional  
 User specific: R=Required, O=Optional, D=Dependent,  
 A=Advised, N=Not used

## Segments

Counter	No	Tag	St	MaxOcc	Level	Name
	0500	<b>SG13</b>	C	1000	3	<b>PCI-SG16</b>
	0510	<b>PCI</b>	M	1	3	<b>Package identification</b>

Standard			Implementation	
Tag	Name	St Format	St Format	Usage / Remark
PCI				
4233	Marking instructions, coded	C an..3	C an..3	<p><b>30 Mark serial shipping container code</b>  <b>17 Seller's instructions</b>  <b>ZZZ Mutually defined</b></p> <p>Code 30 is used to define package marking as a SSCC number. This is also known as HU18.                      Code 17 is used if the marking is defined by the seller and is other a SSCC.                      Code ZZZ is used if CPS DE 7166 has the value DUMMY</p>
C210	Marks & labels	C	C	
7102	Shipping marks	M an..35	M an..35	If CPS DE 7166 has the value DUMMY then DE7102 contains the packing number assigned by the supplier. Please see also the remark for segment CPS above.

**Remark:**

If CPS DE 7166 has the value DUMMY then the PCI segment group SG13 is a pure listing of the package codes that are shipped in this delivery. There is no assignment to a HU!

**Example:**

PCI+30+435768900413287009'

No = Consecutive segment number  
 MaxOcc = Maximum occurrence of the segment/group  
 Counter = Counter of segment/group within the standard

St = Status  
 EDIFACT: M=Mandatory, C=Conditional  
 User specific: R=Required, O=Optional, D=Dependent,  
 A=Advised, N=Not used

## Segments

Counter	No	Tag	St	MaxOcc	Level	Name
0600		<b>SG16</b>	C	99	4	<b>COD-MEA</b> Segment group is only used if CPS DE 7166 has the value DUMMY
0610	27	<b>COD</b>	M	1	4	<b>Component details</b>

Standard			Implementation	
Tag	Name	St Format	St Format	Usage / Remark
COD				
C823	Type of unit/component	C	C	
7505	Type of unit/component, coded	C an..3	C an..3	<b>PAC</b> PAC: Package

**Remark:**

**Example:**

COD+PAC'

No = Consecutive segment number  
 MaxOcc = Maximum occurrence of the segment/group  
 Counter = Counter of segment/group within the standard

St = Status  
 EDIFACT: M=Mandatory, C=Conditional  
 User specific: R=Required, O=Optional, D=Dependent,  
 A=Advised, N=Not used

## Segments

Counter	No	Tag	St	MaxOcc	Level	Name
0600		<b>SG16</b>	C	99	4	<b>COD-MEA</b> Segment group is only used if CPS DE 7166 has the value DUMMY
0620	28	<b>MEA</b>	C	9	5	<b>Measurements</b>

Standard			Implementation	
Tag	Name	St Format	St Format	Usage / Remark
MEA				
6311	Measurement attribute code	M an..3	M an..3	<b>WT</b> Weights <b>AAE</b> Measurement
C502	Measurement details	C	C	
6313	Measured attribute code	C an..3	C an..3	<b>WD</b> Width dimension <b>LN</b> Length dimension <b>HT</b> Height dimension <b>AAD</b> Total gross weight
C174	Value/range	C	C	
6411	Measurement unit code	M an..3	M an..3	<b>MTR</b> metre <b>KGM</b> kilogram
6314	Measurement value	C an..18	C an..18	

**Remark:**

If CPS DE 7166 has the value DUMMY then the dimensions of each package are listed here.

**Example:**

MEA+AAE+LN+MTR:0.63'

No = Consecutive segment number  
MaxOcc = Maximum occurrence of the segment/group  
Counter = Counter of segment/group within the standard

St = Status  
EDIFACT: M=Mandatory, C=Conditional  
User specific: R=Required, O=Optional, D=Dependent,  
A=Advised, N=Not used

## Segments

Counter	No	Tag	St	MaxOcc	Level	Name
0650		<b>SG17</b>	C	9999	2	<b>LIN-PIA-IMD-QTY-GIN-FTX-SG18-SG19</b>
0660	29	<b>LIN</b>	M	1	2	<b>Line item</b>

Standard			Implementation	
Tag	Name	St Format	St Format	Usage / Remark
LIN				
1082	Line item number	C an..6	C an..6	Item counter within the package. For each item number in the package a LIN group occurs Start this field with 1 and increment for each handling unit by 1
C212	Item number identification	C	C	<b>SA Supplier's article number</b>
7140	Item number	C an..35	C an..35	
7143	Item type identification code	C an..3	C an..3	
C829	Sub-line information	C	C	If a kit (e.g. chainsaw with engine, bar, chain and manual) is being shipped then the kit is listed without C829. The individual components of the kit get a SG17 each with the same value in DE 1082 as the kit plus a C829 for each component.
5495	Sub-line indicator, coded	C an..3	C an..3	<b>1 Sub-line information</b>
1082	Line item number	C an..6	C an..6	Subitem counter within the line item. Start this field with 1 and increment for each handling unit by 1

**Remark:**

**Example:**

LIN+1+++42802000026:SA+1:1'

No = Consecutive segment number  
MaxOcc = Maximum occurrence of the segment/group  
Counter = Counter of segment/group within the standard

St = Status  
EDIFACT: M=Mandatory, C=Conditional  
User specific: R=Required, O=Optional, D=Dependent,  
A=Advised, N=Not used



## Segments

Counter	No	Tag	St	MaxOcc	Level	Name
	0650	<b>SG17</b>	C	9999	2	LIN-PIA-IMD-QTY-GIN-FTX-SG18-SG19
	0670	<b>PIA</b>	C	10	3	Additional product id

Standard			Implementation	
Tag	Name	St Format	St Format	Usage / Remark
PIA				
4347	Product id. function qualifier	M an..3	M an..3	<b>4 Substituted for</b> If the shipped item number is not the ordered item number then code 4 describes the item number from the customer order.
C212	Item number identification	M	M	
7140	Item number	C an..35	C an..35	
7143	Item type identification code	C an..3	C an..3	<b>SA Supplier's article number</b>

**Remark:**

**Example:**

PIA+4+A2468790654:SA'

No = Consecutive segment number  
 MaxOcc = Maximum occurrence of the segment/group  
 Counter = Counter of segment/group within the standard

St = Status  
 EDIFACT: M=Mandatory, C=Conditional  
 User specific: R=Required, O=Optional, D=Dependent,  
 A=Advised, N=Not used

## Segments

Counter	No	Tag	St	MaxOcc	Level	Name
0650		<b>SG17</b>	C	9999	2	LIN-PIA-IMD-QTY-GIN-FTX-SG18-SG19
0680	31	<b>IMD</b>	C	25	3	Item description

Standard			Implementation	
Tag	Name	St Format	St Format	Usage / Remark
IMD				
7077	Item description type, coded	C an..3	C an..3	<b>A Free-form long description</b>
C273	Item description	C	C	
3055	Code list responsible agency code	C an..3	C an..3	<b>91 Assigned by seller or seller's agent</b>
7008	Item description	C an..256	C an..256	

**Remark:**

**Example:**

IMD+A++::91:HL 95 Hedgetrimmer,135°'

No = Consecutive segment number  
 MaxOcc = Maximum occurrence of the segment/group  
 Counter = Counter of segment/group within the standard

St = Status  
 EDIFACT: M=Mandatory, C=Conditional  
 User specific: R=Required, O=Optional, D=Dependent,  
 A=Advised, N=Not used

## Segments

Counter	No	Tag	St	MaxOcc	Level	Name
	0650	<b>SG17</b>	C	9999	2	LIN-PIA-IMD-QTY-GIN-FTX-SG18-SG19
	0700	<b>QTY</b>	C	10	3	Quantity

Standard			Implementation	
Tag	Name	St Format	St Format	Usage / Remark
QTY				
C186	Quantity details	M	M	
6063	Quantity type code qualifier	M an..3	M an..3	<b>12 Despatch quantity</b> <b>21 Ordered quantity</b>
6060	Quantity	M an..35	M an..35	Quantity that is contained in this package
6411	Measurement unit code	C an..3	C an..3	<b>EA each</b> By coordination of STIHL ClearingCenter further measurement codes can be added.

**Remark:**

**Example:**

QTY+12:3:EA'

No = Consecutive segment number  
MaxOcc = Maximum occurrence of the segment/group  
Counter = Counter of segment/group within the standard

St = Status  
EDIFACT: M=Mandatory, C=Conditional  
User specific: R=Required, O=Optional, D=Dependent,  
A=Advised, N=Not used

## Segments

Counter	No	Tag	St	MaxOcc	Level	Name
	0650	<b>SG17</b>	C	9999	2	LIN-PIA-IMD-QTY-GIN-FTX-SG18-SG19
	0720	<b>GIN</b>	C	100	3	Goods identity number

Standard			Implementation	
Tag	Name	St Format	St Format	Usage / Remark
GIN				
7405	Object identification code qualifier	M an..3	M an..3	<b>BN Serial number</b> The first DE 7402 in each C208 can contain a single serial number if items are serialized.
C208	Identity number range	M	M	
7402	Object identifier	M an..35	M an..35	
C208	Identity number range	C	C	
7402	Object identifier	M an..35	M an..35	
C208	Identity number range	C	C	
7402	Object identifier	M an..35	M an..35	

**Remark:**

**Example:**

GIN+BN+687905316+687905317+687905318'

No = Consecutive segment number  
MaxOcc = Maximum occurrence of the segment/group  
Counter = Counter of segment/group within the standard

St = Status  
EDIFACT: M=Mandatory, C=Conditional  
User specific: R=Required, O=Optional, D=Dependent,  
A=Advised, N=Not used

## Segments

Counter	No	Tag	St	MaxOcc	Level	Name
	0650	<b>SG17</b>	C	9999	2	LIN-PIA-IMD-QTY-GIN-FTX-SG18-SG19
	0800	<b>FTX</b>	C	99	3	Free text

Standard			Implementation	
Tag	Name	St Format	St Format	Usage / Remark
FTX				
4451	Text subject code qualifier	M an..3	M an..3	<b>DEL</b> Delivery information <b>AAI</b> General information
C108	Text literal	C	C	
4440	Free text value	M an..512	M an..512	
3453	Language name code	C an..3	C an..3	<b>DE</b> German <b>EN</b> English <b>PT</b> Portuguese

**Remark:**

**Example:**

FTX+DEL+++Goods are shipped in a pink box as requested+DE'

No = Consecutive segment number  
MaxOcc = Maximum occurrence of the segment/group  
Counter = Counter of segment/group within the standard

St = Status  
EDIFACT: M=Mandatory, C=Conditional  
User specific: R=Required, O=Optional, D=Dependent,  
A=Advised, N=Not used

## Segments

Counter	No	Tag	St	MaxOcc	Level	Name
0820		<b>SG18</b>	C	99	3	<b>RFF-DTM</b>
0830	35	<b>RFF</b>	M	1	3	<b>Reference</b>

Standard			Implementation	
Tag	Name	St Format	St Format	Usage / Remark
RFF				
C506	Reference	M	M	
1153	Reference function code qualifier	M an..3	M an..3	<b>ON Order number (purchase)</b> <b>VN Order number (vendor)</b> <b>DQ Delivery note number</b> ON describes the purchase order number of the customer. VN describes the sales order number of the supplier. DQ describes the delivery note number of the supplier (this delivery) All segments are mandatory.
1154	Reference identifier	C an..35	C an..35	
1156	Line number	C an..6	C an..6	

**Remark:**

**Example:**

RFF+ON:4500012345:5'

No = Consecutive segment number  
 MaxOcc = Maximum occurrence of the segment/group  
 Counter = Counter of segment/group within the standard

St = Status  
 EDIFACT: M=Mandatory, C=Conditional  
 User specific: R=Required, O=Optional, D=Dependent,  
 A=Advised, N=Not used

## Segments

Counter	No	Tag	St	MaxOcc	Level	Name
0820		<b>SG18</b>	C	99	3	RFF-DTM
0860	36	<b>DTM</b>	C	1	4	Date/time/period

Standard			Implementation	
Tag	Name	St Format	St Format	Usage / Remark
DTM				
C507	Date/time/period	M	M	
2005	Date/time/period function code qualifier	M an..3	M an..3	<b>137 Document/message date/time</b>
2380	Date/time/period value	C an..35	C an..35	
2379	Date/time/period format code	C an..3	C an..3	<b>102 CCYYMMDD</b>

**Remark:**

**Example:**

DTM+137:20110106:102'

No = Consecutive segment number  
 MaxOcc = Maximum occurrence of the segment/group  
 Counter = Counter of segment/group within the standard

St = Status  
 EDIFACT: M=Mandatory, C=Conditional  
 User specific: R=Required, O=Optional, D=Dependent,  
 A=Advised, N=Not used

## Segments

Counter	No	Tag	St	MaxOcc	Level	Name
0870		<b>SG19</b>	C	9999	3	<b>DGS-FTX</b>
0880	37	<b>DGS</b>	M	1	3	<b>Dangerous goods</b>

Standard			Implementation	
Tag	Name	St Format	St Format	Usage / Remark
DGS				
8273	Dangerous goods regulations code	C an..3	C an..3	<b>ADR European agreement on the international carriage of dangerous goods on road (ADR)</b>
C205	Hazard code	C	C	
8351	Hazard code identification	M an..7	M an..7	Dangerous goods class
C234	UNDG information	C	C	
7124	UNDG number	C n4	C n4	Dangerous goods UN number
8339	Packing group, coded	C an..3	C an..3	Dangerous goods packing group

**Remark:**

**Example:**

DGS+ADR+2.1+1719++5F'

No = Consecutive segment number  
 MaxOcc = Maximum occurrence of the segment/group  
 Counter = Counter of segment/group within the standard

St = Status  
 EDIFACT: M=Mandatory, C=Conditional  
 User specific: R=Required, O=Optional, D=Dependent,  
 A=Advised, N=Not used



## Segments

Counter	No	Tag	St	MaxOcc	Level	Name
	0870	<b>SG19</b>	C	9999	3	<b>DGS-FTX</b>
	0900 38	<b>FTX</b>	C	5	4	<b>Free text</b>

Standard			Implementation	
Tag	Name	St Format	St Format	Usage / Remark
FTX				
4451	Text subject code qualifier	M an..3	M an..3	<b>AAD Dangerous goods, technical name</b>
4453	Text function, coded	C an..3	C an..3	
C108	Text literal	C	C	
4440	Free text value	M an..512	M an..512	

**Remark:**

**Example:**

FTX+AAD+1++Caustic alcaid liquid, n.o.s. (not otherwise specified)'

No = Consecutive segment number  
 MaxOcc = Maximum occurrence of the segment/group  
 Counter = Counter of segment/group within the standard

St = Status  
 EDIFACT: M=Mandatory, C=Conditional  
 User specific: R=Required, O=Optional, D=Dependent,  
 A=Advised, N=Not used

## Segments

Counter	No	Tag	St	MaxOcc	Level	Name
	0870	<b>SG19</b>	C	9999	3	<b>DGS-FTX</b>
	0900 39	<b>FTX</b>	C	5	4	<b>Free text</b>

Standard			Implementation	
Tag	Name	St Format	St Format	Usage / Remark
FTX				
4451	Text subject code qualifier	M an..3	M an..3	<b>AAC Dangerous goods additional information</b> Technical name for dangerous goods (name of danger causing substance)
4453	Text function, coded	C an..3	C an..3	
C108	Text literal	C	C	
4440	Free text value	M an..512	M an..512	

**Remark:**

**Example:**

FTX+AAC1++Dinatriumotrixosilicat '

No = Consecutive segment number  
 MaxOcc = Maximum occurrence of the segment/group  
 Counter = Counter of segment/group within the standard

St = Status  
 EDIFACT: M=Mandatory, C=Conditional  
 User specific: R=Required, O=Optional, D=Dependent,  
 A=Advised, N=Not used

## Segments

Counter	No	Tag	St	MaxOcc	Level	Name
1140	40	<b>CNT</b>	C	5	1	Control total

Standard			Implementation	
Tag	Name	St Format	St Format	Usage / Remark
CNT				
C270	Control	M	M	
6069	Control total type code qualifier	M an..3	M an..3	<b>11 Total number of packages</b> Code 11 describes the total amount of handling unites (outer packing). Should be equal with the number of CPS group iterations (SG 10).
6066	Control value	M n..18	M n..18	
6411	Measurement unit code	C an..3	C an..3	<b>EA each</b>

**Remark:**

**Example:**

CNT+11:1:EA'

No = Consecutive segment number  
 MaxOcc = Maximum occurrence of the segment/group  
 Counter = Counter of segment/group within the standard

St = Status  
 EDIFACT: M=Mandatory, C=Conditional  
 User specific: R=Required, O=Optional, D=Dependent,  
 A=Advised, N=Not used

## Segments

Counter	No	Tag	St	MaxOcc	Level	Name
1150	41	<b>UNT</b>	M	1	0	Message trailer

Standard			Implementation	
Tag	Name	St Format	St Format	Usage / Remark
UNT				
0074	Number of segments in a message	M n..10	M n..10	
0062	Message reference number	M an..14	M an..14	

**Remark:**

**Example:**

UNT+40+89'

No = Consecutive segment number  
 MaxOcc = Maximum occurrence of the segment/group  
 Counter = Counter of segment/group within the standard

St = Status  
 EDIFACT: M=Mandatory, C=Conditional  
 User specific: R=Required, O=Optional, D=Dependent,  
 A=Advised, N=Not used

## Segments

Counter	No	Tag	St	MaxOcc	Level	Name
0000	42	<b>UNZ</b>	M	1	0	Interchange trailer

Standard			Implementation	
Tag	Name	St Format	St Format	Usage / Remark
UNZ				
0036	Interchange control count	M n..6	M n..6	
0020	Interchange control reference	M an..14	M an..14	

**Remark:**

**Example:**

UNZ+1+83'

No = Consecutive segment number  
 MaxOcc = Maximum occurrence of the segment/group  
 Counter = Counter of segment/group within the standard

St = Status  
 EDIFACT: M=Mandatory, C=Conditional  
 User specific: R=Required, O=Optional, D=Dependent,  
 A=Advised, N=Not used

## Sample message

No	Tag	Example
01	UNA	UNA:+.?*'
02	UNB	UNB+UNOC:4+STIHL_WN:ZZZ+CUSTOMER_ID:ZZZ+20110330:1047+83'
03	UNH	UNH+89+DESADV:D:99B:UN'
04	BGM	BGM+351:::Despatch advise+DEL5468904-A+9'
05	DTM	DTM+11:20110328:102'
06	MEA	MEA+AAX+AAD:3+KGM:2500'
	SG2	
07	NAD	NAD+BY+815007::91++Haig&Mark+Castleview Lane 31+Ebony City++72401+NZ'
	SG4	
08	CTA	CTA+PD+:Thomas Weller'
09	COM	COM+07474268614:TE'
	SG2	
10	NAD	NAD+DP+724010815::91++Haig&Mark+Warehouse Road 23+Ebony City++72401+NZ'
	SG4	
11	CTA	CTA+GR+:Paul Emany'
12	COM	COM+07474261809:TE'
	SG2	
13	NAD	NAD+SU+743334::92++STIHL LTD.+9 Bishop Browne Place+AUCKLAND++1730+NZ'
	SG4	
14	CTA	CTA+SR+:Dean Bunny'
15	COM	COM+92624123:TE'
	SG2	
16	NAD	NAD+CA+++Fred Schuoner+Halen Camp 17+Haiterway++4739+NZ'
	SG4	
17	CTA	CTA+CA+:Sam Brenner'
18	COM	COM+07452/9845-0:TE'
	SG5	
19	TOD	TOD+6++EXW:::Pick up by customer ex works'
20	LOC	LOC+1+:::Dodge City'
21	FTX	FTX+DEL+++Transport is delivered in a big truck+EN'
	SG6	
22	TDT	TDT+20+WB3579650+10'
	SG10	
23	CPS	CPS+1++4'
	SG11	
24	PAC	PAC+1+4+EPG'
25	MEA	MEA+WT+AAD:3+KGM:250'
	SG13	
26	PCI	PCI+30+435768900413287009'
	SG16	
27	COD	COD+PAC'
28	MEA	MEA+AAE+LN+MTR:0.63'
	SG17	
29	LIN	LIN+1++42802000026:SA+1:1'
30	PIA	PIA+4+A2468790654:SA'
31	IMD	IMD+A++:91:HL 95 Hedgetrimmer,135°'

No = Consecutive segment number

**Sample message**

No	Tag	Example
32	QTY	QTY+12:3:EA'
33	GIN	GIN+BN+687905316+687905317+687905318'
34	FTX	FTX+DEL+++Goods are shipped in a pink box as requested+DE'
	SG18	
35	RFF	RFF+ON:4500012345:5'
36	DTM	DTM+137:20110106:102'
	SG19	
37	DGS	DGS+ADR+2.1+1719++5F'
38	FTX	FTX+AAD+1++Caustic alcaid liquid, n.o.s. (not otherwise specified)'
39	FTX	FTX+AAC+1++Dinatriumotrixosilicat'
40	CNT	CNT+11:1:EA'
41	UNT	UNT+40+89'
42	UNZ	UNZ+1+83'

No = Consecutive segment number

## Permitted Codes of Data elements

List of permitted codes of data elements / code lists

**0001** Syntax identifier

Code	Name/Description
UNOC	UN/ECE level C As defined in ISO 8859-1 : Information processing - Part 1: Latin alphabet No. 1.

**0002** Syntax version number

Code	Name/Description
1	Version 1 ISO 9735:1988.
2	Version 2 ISO 9735:1990.
3	Version 3 ISO 9735 Amendment 1:1992.
4	Version 4 ISO 9735:1998.

**0007** Identification code qualifier

Code	Name/Description
ZZZ	Mutually defined Self explanatory.

**0051** Controlling agency, coded

Code	Name/Description
UN	UN/CEFACT United Nations Centre for the Facilitation of procedures and practices for Administration, Commerce and Transport (UN/CEFACT).

**0052** Message version number

Code	Name/Description
D	Draft version/UN/EDIFACT Directory Message approved and issued as a draft message (Valid for directories published after March 1993 and prior to March 1997). Message approved as a standard message (Valid for directories published after March 1997).

**0054** Message release number



Code	Name/Description
<b>99B</b>	Release 1999 - B Message approved and issued in the second 1999 release of the UNTDID (United Nations Trade Data Interchange Directory).

**0065** Message type

Code	Name/Description
<b>DESADV</b>	Despatch advice message A code to identify the despatch advice message.

**1000** Document name

Code	Name/Description
<b>Despatch advise</b>	

**1001** Document name code

Code	Name/Description
<b>351</b>	Despatch advice Document/message by means of which the seller or consignor informs the consignee about the despatch of goods.

**1153** Reference function code qualifier

Code	Name/Description
<b>DQ</b>	Delivery note number Reference number assigned by the issuer to a delivery note.
<b>ON</b>	Order number (purchase) [1022] Reference number assigned by the buyer to an order.
<b>VN</b>	Order number (vendor) Reference number assigned by supplier to a buyer's purchase order.

**1225** Message function code

Code	Name/Description
<b>9</b>	Original Initial transmission related to a given transaction.

**2005** Date/time/period function code qualifier

Code	Name/Description
<b>11</b>	Despatch date and or time (2170) Date/time on which the goods are or are expected to be despatched or shipped.

**137** Document/message date/time  
(2006) Date/time when a document/message is issued. This may include authentication.

**191** Delivery date/time, expected  
Date/time on which goods are expected to be delivered.

**2379** Date/time/period format code

Code	Name/Description
102	CCYYMMDD Calendar date: C = Century ; Y = Year ; M = Month ; D = Day.

**3035** Party function code qualifier

Code	Name/Description
BY	Buyer (3002) Party to which merchandise is sold.
CA	Carrier (3126) Party undertaking or arranging transport of goods between named points.
DP	Delivery party (3144) Party to which goods should be delivered, if not identical with consignee.
SU	Supplier (3280) Party which manufactures or otherwise has possession of goods, and consigns or makes them available in trade.

**3055** Code list responsible agency code

Code	Name/Description
91	Assigned by seller or seller's agent Self explanatory.
92	Assigned by buyer or buyer's agent Self explanatory.

**3139** Contact function code

Code	Name/Description
CA	Carrier (3126) Party undertaking or arranging transport of goods between named points.
GR	Goods receiving contact Department/person responsible for receiving the goods at the place of delivery.
PD	Purchasing contact Department/person responsible for issuing this purchase order.
SR	Sales representative or department The sales representative or department contact within an organization.

Communication number code qualifier

**3155**

Code	Name/Description
<b>EM</b>	Electronic mail Exchange of mail by electronic means.
<b>FX</b>	Telefax Device used for transmitting and reproducing fixed graphic material (as printing) by means of signals over telephone lines or other electronic transmission media.
<b>TE</b>	Telephone Voice/data transmission by telephone.

**3207**

Country name code

Code	Name/Description
<b>AD</b>	ANDORRA
<b>AE</b>	UNITED ARAB EMIRATES
<b>AF</b>	AFGHANISTAN
<b>AG</b>	ANTIGUA AND BARBUDA
<b>AI</b>	ANGUILLA
<b>AL</b>	ALBANIA
<b>AM</b>	ARMENIA
<b>AN</b>	NETHERLANDS ANTILES
<b>AO</b>	ANGOLA
<b>AQ</b>	ANTARCTICA
<b>AR</b>	ARGENTINA
<b>AS</b>	AMERICAN SAMOA
<b>AT</b>	AUSTRIA
<b>AU</b>	AUSTRALIA
<b>AW</b>	ARUBA
<b>AZ</b>	AZERBAIJAN
<b>BA</b>	BOSNIA AND HERZEGOVINA
<b>BB</b>	BARBADOS
<b>BD</b>	BANGLADESH
<b>BE</b>	BELGIUM
<b>BF</b>	BURKINA FASO
<b>BG</b>	BULGARIA
<b>BH</b>	BAHRAIN

<b>BI</b>	BURUNDI
<b>BJ</b>	BENIN
<b>BM</b>	BERMUDA
<b>BN</b>	BRUNEI DARUSSALAM
<b>BO</b>	BOLIVIA
<b>BR</b>	BRAZIL
<b>BS</b>	BAHAMAS
<b>BT</b>	BHUTAN
<b>BV</b>	BOUVET ISLAND
<b>BW</b>	BOTSWANA
<b>BY</b>	BELARUS
<b>BZ</b>	BELIZE
<b>CA</b>	CANADA
<b>CC</b>	COCOS (KEELING) ISLANDS
<b>CF</b>	CENTRAL AFRICAN REPUBLIC
<b>CG</b>	CONGO
<b>CH</b>	SWITZERLAND
<b>CI</b>	COTE D'IVOIRE
<b>CK</b>	COOK ISLANDS
<b>CL</b>	CHILE
<b>CM</b>	CAMEROON
<b>CN</b>	CHINA
<b>CO</b>	COLOMBIA
<b>CR</b>	COSTA RICA
<b>CU</b>	CUBA
<b>CV</b>	CAPE VERDE
<b>CX</b>	CHRISTMAS ISLAND
<b>CY</b>	CYPRUS
<b>CZ</b>	CZECH REPUBLIC
<b>DE</b>	GERMANY
<b>DJ</b>	DJIBOUTI
<b>DK</b>	DENMARK
<b>DM</b>	DOMINICA
<b>DO</b>	DOMINICAN REPUBLIC

<b>DZ</b>	ALGERIA
<b>EC</b>	ECUADOR
<b>EE</b>	ESTONIA
<b>EG</b>	EGYPT
<b>EH</b>	WESTERN SAHARA
<b>ER</b>	ERITREA
<b>ES</b>	SPAIN
<b>ET</b>	ETHIOPIA
<b>FI</b>	FINLAND
<b>FJ</b>	FIJI
<b>FK</b>	FALKLAND ISLANDS (MALVINAS)
<b>FM</b>	MICRONESIA (FEDERATED STATES OF)
<b>FO</b>	FAROE ISLANDS
<b>FR</b>	FRANCE
<b>FX</b>	FRANCE, METROPOLITAN
<b>GA</b>	GABON
<b>GB</b>	UNITED KINGDOM
<b>GD</b>	GRENADA
<b>GE</b>	GEORGIA
<b>GF</b>	FRENCH GUIANA
<b>GH</b>	GHANA
<b>GI</b>	GIBRALTAR
<b>GL</b>	GREENLAND
<b>GM</b>	GAMBIA
<b>GN</b>	GUINEA
<b>GP</b>	GUADELOUPE
<b>GQ</b>	EQUATORIAL GUINEA
<b>GR</b>	GREECE
<b>GS</b>	SOUTH GEORGIA AND THE SOUTH SANDWICH ISLANDS
<b>GT</b>	GUATEMALA
<b>GU</b>	GUAM
<b>GW</b>	GUINEA-BISSAU
<b>GY</b>	GUYANA
<b>HK</b>	HONG KONG

<b>HM</b>	HEARD AND MC DONALD ISLANDS
<b>HN</b>	HONDURAS
<b>HR</b>	CROATIA
<b>HT</b>	HAITI
<b>HU</b>	HUNGARY
<b>ID</b>	INDONESIA
<b>IE</b>	IRELAND
<b>IL</b>	ISRAEL
<b>IN</b>	INDIA
<b>IO</b>	BRITISH INDIAN OCEAN TERRITORY
<b>IQ</b>	IRAQ
<b>IR</b>	IRAN (ISLAMIC REPUBLIC OF)
<b>IS</b>	ICELAND
<b>IT</b>	ITALY
<b>JM</b>	JAMAICA
<b>JO</b>	JORDAN
<b>JP</b>	JAPAN
<b>KE</b>	KENYA
<b>KG</b>	KYRGYZSTAN
<b>KH</b>	CAMBODIA
<b>KI</b>	KIRIBATI
<b>KM</b>	COMOROS
<b>KN</b>	SAINT KITTS AND NEVIS
<b>KP</b>	KOREA, DEMOCRATIC PEOPLE'S REPUBLIC OF
<b>KR</b>	KOREA, REPUBLIC OF
<b>KW</b>	KUWAIT
<b>KY</b>	CAYMAN ISLANDS
<b>KZ</b>	KAZAKHSTAN
<b>LA</b>	LAO PEOPLE'S DEMOCRATIC REPUBLIC
<b>LB</b>	LEBANON
<b>LC</b>	SAINT LUCIA
<b>LI</b>	LIECHTENSTEIN
<b>LK</b>	SRI LANKA
<b>LR</b>	LIBERIA

<b>LS</b>	LESOTHO
<b>LT</b>	LITHUANIA
<b>LU</b>	LUXEMBOURG
<b>LV</b>	LATVIA
<b>LY</b>	LIBYAN ARAB JAMAHIRIYA
<b>MA</b>	MOROCCO
<b>MC</b>	MONACO
<b>MD</b>	MOLDOVA
<b>MG</b>	MADAGASCAR
<b>MH</b>	MARSHALL ISLANDS
<b>MK</b>	MACEDONIA, THE FORMER YUGOSLAV REPUBLIC OF
<b>ML</b>	MALI
<b>MM</b>	MYANMAR
<b>MN</b>	MONGOLIA
<b>MO</b>	MACAU
<b>MP</b>	NORTHERN MARIANA ISLANDS
<b>MQ</b>	MARTINIQUE
<b>MR</b>	MAURITANIA
<b>MS</b>	MONTSERRAT
<b>MT</b>	MALTA
<b>MU</b>	MAURITIUS
<b>MV</b>	MALDIVES
<b>MW</b>	MALAWI
<b>MX</b>	MEXICO
<b>MY</b>	MALAYSIA
<b>MZ</b>	MOZAMBIQUE
<b>NA</b>	NAMIBIA
<b>NC</b>	NEW CALEDONIA
<b>NE</b>	NIGER
<b>NF</b>	NORFOLK ISLAND
<b>NG</b>	NIGERIA
<b>NI</b>	NICARAGUA
<b>NL</b>	NETHERLANDS
<b>NO</b>	NORWAY

<b>NP</b>	NEPAL
<b>NR</b>	NAURU
<b>NU</b>	NIUE
<b>NZ</b>	NEW ZEALAND
<b>OM</b>	OMAN
<b>PA</b>	PANAMA
<b>PE</b>	PERU
<b>PF</b>	FRENCH POLYNESIA
<b>PG</b>	PAPUA NEW GUINEA
<b>PH</b>	PHILIPPINES
<b>PK</b>	PAKISTAN
<b>PL</b>	POLAND
<b>PM</b>	ST. PIERRE AND MIQUELON
<b>PN</b>	PITCAIRN
<b>PR</b>	PUERTO RICO
<b>PT</b>	PORTUGAL
<b>PW</b>	PALAU
<b>PY</b>	PARAGUAY
<b>QA</b>	QATAR
<b>RE</b>	REUNION
<b>RO</b>	ROMANIA
<b>RU</b>	RUSSIA
<b>RW</b>	RWANDA
<b>SA</b>	SAUDI ARABIA
<b>SB</b>	SOLOMON ISLANDS
<b>SC</b>	SEYCHELLES
<b>SD</b>	SUDAN
<b>SE</b>	SWEDEN
<b>SG</b>	SINGAPORE
<b>SH</b>	ST. HELENA
<b>SI</b>	SLOVENIA
<b>SJ</b>	SVALBARD AND JAN MAYEN ISLANDS
<b>SK</b>	SLOVAKIA (SLOVAK REPUBLIC)
<b>SL</b>	SIERRA LEONE



<b>SM</b>	SAN MARINO
<b>SN</b>	SENEGAL
<b>SO</b>	SOMALIA
<b>SR</b>	SURINAME
<b>ST</b>	SAO TOME AND PRINCIPE
<b>SV</b>	EL SALVADOR
<b>SY</b>	SYRIAN ARAB REPUBLIC
<b>SZ</b>	SWAZILAND
<b>TC</b>	TURKS AND CAICOS ISLANDS
<b>TD</b>	CHAD
<b>TF</b>	FRENCH SOUTHERN TERRITORIES
<b>TG</b>	TOGO
<b>TH</b>	THAILAND
<b>TJ</b>	TAJIKISTAN
<b>TK</b>	TOKELAU
<b>TM</b>	TURKMENISTAN
<b>TN</b>	TUNISIA
<b>TO</b>	TONGA
<b>TP</b>	EAST TIMOR
<b>TR</b>	TURKEY
<b>TT</b>	TRINIDAD AND TOBAGO
<b>TV</b>	TUVALU
<b>TW</b>	TAIWAN, PROVINCE OF CHINA
<b>TZ</b>	TANZANIA, UNITED REPUBLIC OF
<b>UA</b>	UKRAINE
<b>UG</b>	UGANDA
<b>UM</b>	UNITED STATES MINOR OUTLYING ISLANDS
<b>US</b>	UNITED STATES
<b>UY</b>	URUGUAY
<b>UZ</b>	UZBEKISTAN
<b>VA</b>	VATICAN CITY STATE (HOLY SEE)
<b>VC</b>	SAINT VINCENT AND THE GRENADINES
<b>VE</b>	VENEZUELA
<b>VG</b>	VIRGIN ISLANDS (BRITISH)

VI	VIRGIN ISLANDS (U.S.)
VN	VIET NAM
VU	VANUATU
WF	WALLIS AND FUTUNA ISLANDS
WS	SAMOA
YE	YEMEN
YT	MAYOTTE
YU	YUGOSLAVIA
ZA	SOUTH AFRICA
ZM	ZAMBIA
ZR	ZAIRE
ZW	ZIMBABWE

**3227** Location function code qualifier

Code	Name/Description
1	Place of terms of delivery (3018) Point or port of departure, shipment or destination, as required under the applicable terms of delivery, e.g. Incoterms.

**3453** Language name code

Code	Name/Description
DE	German
EN	English
PT	Portuguese

**4053** Delivery or transport terms description code

Code	Name/Description
1	Delivery arranged by the supplier Indicates that the supplier will arrange delivery of the goods.
2	Delivery arranged by logistic service provider Code indicating that the logistic service provider has arranged the delivery of goods.
CFR	Cost & Freight
CIF	Cost, Insurance, Freight to named destination
CIP	Freight, Carriage, Insurance to destination
CPT	Freight, Carriage paid to destination
DAF	Delivery at frontier - Named place

<b>DDP</b>	Delivered duty paid to destination
<b>DDU</b>	Delivered duty unpaid to destination
<b>DEQ</b>	Delivered Ex Quay - Duty paid, Named port
<b>DES</b>	Delivered Ex ship - Named port of destination
<b>EXW</b>	Ex works
<b>FAS</b>	Free alongside ship
<b>FCA</b>	Free carrier - Named point
<b>FOA</b>	FOB Airport - Named airport of departure
<b>FOB</b>	Free on Board - Named port of shipment
<b>FOR</b>	Free on Rail - Named departure point

**4055** Terms of delivery or transport function, coded

Code	Name/Description
6	Delivery condition Specifies the conditions under which the goods must be delivered to the consignee.

**4233** Marking instructions, coded

Code	Name/Description
17	Seller's instructions Markings as specified by the seller.
30	Mark serial shipping container code Requests the marking of the serial shipping container code to the transport container or packaging.
ZZZ	Mutually defined Self explanatory.

**4347** Product id. function qualifier

Code	Name/Description
4	Substituted for The given item number is the number of the original product substituted by another.

**4451** Text subject code qualifier

Code	Name/Description
<b>AAC</b>	Dangerous goods additional information Additional information concerning dangerous goods.
<b>AAD</b>	Dangerous goods, technical name Proper shipping name, supplemented as necessary with the correct technical name, by which a dangerous substance or article may be correctly identified or which is sufficiently informative to

permit identification by reference to generally available literature.

**AAI** General information  
Self explanatory.

**DEL** Delivery information  
Information about delivery.

**4453** Text function, coded

Code	Name/Description
1	Text for subsequent use The occurrence of this text does not affect message processing.
2	Text replacing missing code Text description of a coded data item for which there is no currently available code.
3	Text for immediate use Text must be read before actioning message.
4	No action required Pass text on to later recipient.
5	Header Indicates that the text is to be taken as a header.
6	Numbered paragraph Indicates that the text starts a new numbered paragraph.
7	Paragraph Indicates that the text is a paragraph.

**5495** Sub-line indicator, coded

Code	Name/Description
1	Sub-line information Self explanatory.

**6063** Quantity type code qualifier

Code	Name/Description
12	Despatch quantity Quantity despatched by the seller.
21	Ordered quantity The quantity which has been ordered.

**6069** Control total type code qualifier

Code	Name/Description
11	Total number of packages [7370] Total number of packages of the entire consignment.

**6311** Measurement attribute code

Code	Name/Description
<b>AAE</b>	Measurement [6314] Value of the measured unit.
<b>AAX</b>	Consignment measurement Measurement related to a consignment; to be specified by the measurement code dimension value.
<b>WT</b>	Weights Self explanatory.

**6313** Measured attribute code

Code	Name/Description
<b>AAD</b>	Total gross weight [6292] Weight (mass) of goods including packing but excluding the carrier's equipment.
<b>HT</b>	Height dimension Numeric value of height.
<b>LN</b>	Length dimension (6168) Length of pieces or packages stated for transport purposes.
<b>WD</b>	Width dimension Numeric value of width.

**6321** Measurement significance, coded

Code	Name/Description
<b>3</b>	Approximately Self explanatory.
<b>4</b>	Equal to Self explanatory.
<b>5</b>	Greater than or equal to Self explanatory.
<b>6</b>	Greater than Self explanatory.
<b>7</b>	Less than Self explanatory.
<b>8</b>	Less than or equal to Self explanatory.
<b>10</b>	Not equal to Self explanatory.
<b>11</b>	Trace Description to be provided.
<b>12</b>	True value Description to be provided.

**13** Observed value  
Description to be provided.

**15** Out of range  
Self explanatory.

**6411** Measurement unit code

Code	Name/Description
EA	each
KGM	kilogram
MTR	metre

**7065** Package type description code

Code	Name/Description
BXG	Cardboard box (general item, no further specification)
EPG	Euro pallet 1200x800x120 mm (general item, no further specifications)
FPG	Flat pallet (general item, no further specifications)
NPA	No package type information available

**7075** Packaging level, coded

Code	Name/Description
4	No packaging hierarchy There is no specifiable level of packaging: packaging is inner and outer level as well.

**7077** Item description type, coded

Code	Name/Description
A	Free-form long description Long description of an item in free form.

**7143** Item type identification code

Code	Name/Description
SA	Supplier's article number Number assigned to an article by the supplier of that article.

**7166** Hierarchical structure parent identifier

Code	Name/Description
DUMMY	

**7224**                    Number of packages

Code	Name/Description
1	

**7405**                    Object identification code qualifier

Code	Name/Description
BN	Serial number Identification number of an item which distinguishes this specific item out of a number of identical items.

**7505**                    Type of unit/component, coded

Code	Name/Description
PAC	

**8051**                    Transport stage code qualifier

Code	Name/Description
20	Main-carriage transport The primary stage in the movement of cargo from the point of origin to the intended destination.

**8067**                    Transport mode name code

Code	Name/Description
10	Maritime transport This code should be used whenever the transport vehicle completes any part of its journey by sea.
20	Rail transport
30	Road transport
40	Air transport
50	Mail (Actual mode of transport unknown) - This code is provided for practical reasons, despite the fact that mail is not a genuine mode of transport. In many countries, the value of merchandise exported by mail is considerable, but the exporter or importer concerned would be unable to state by which mode postal items had passed the national border.
90	Mode unknown This code can be used when the mode is not known or when information on it is not available at the time of issuing the document concerned.

**8273**                    Dangerous goods regulations code

Code	Name/Description
<b>ADR</b>	European agreement on the international carriage of dangerous goods on road (ADR) European agreement on the international carriage of dangerous goods on road. ADR is the abbreviation of "Accord europeen relatif au transport international des marchandises dangereuses par route".

**8339** Packing group, coded

Code	Name/Description
<b>1</b>	Great danger Packaging meeting criteria to pack hazardous materials with great danger. Group I according to IATA/IMDG/ADR/RID regulations.
<b>2</b>	Medium danger Packaging meeting criteria to pack hazardous materials with medium danger. Group II according to IATA/IDMG/ADR/RID regulations.
<b>3</b>	Minor danger Packaging meeting criteria to pack hazardous materials with minor danger. Group III according to IATA/IDMG/ADR/RID regulations.