



EDI Implementation Documentation

## **EDIFACT 99B INVOIC for customers**

based on

**INVOIC**

Invoice message

**UN D.99B S4**

- **Structure Chart**
- **Branching Diagram**
- **Segment Details**

Version 1  
Variant 0  
Issue date 26.01.2011

**Structure / Table of Contents**

Counter	No	Tag	St	MaxOcc	Level	Content
0000	1	UNA	C	1	0	Service string advice
0000	2	UNB	M	1	0	Interchange header
0010	3	UNH	M	1	0	Message header
0020	4	BGM	M	1	0	Beginning of message
0030	5	DTM	M	35	1	Date/time/period 3
0030	6	DTM	M	35	1	Date/time/period 209
0070	7	FTX	C	99	1	Free text
0120		SG1	C	99999	1	RFF-DTM
0130	8	RFF	M	1	1	Reference
0140	9	DTM	C	5	2	Date/time/period
0220		SG2	C	99	1	NAD-LOC-FII-MOA-SG3-SG4-SG5 BY
0230	10	NAD	M	1	1	Name and address
0270		SG3	C	9999	2	RFF
0280	11	RFF	M	1	2	Reference
0330		SG5	C	5	2	CTA-COM
0340	12	CTA	M	1	2	Contact information
0350	13	COM	C	5	3	Communication contact
0220		SG2	C	99	1	NAD-LOC-FII-MOA-SG3-SG4-SG5 DP
0230	14	NAD	M	1	1	Name and address
0270		SG3	C	9999	2	RFF
0280	15	RFF	M	1	2	Reference
0330		SG5	C	5	2	CTA-COM
0340	16	CTA	M	1	2	Contact information
0350	17	COM	C	5	3	Communication contact
0220		SG2	C	99	1	NAD-LOC-FII-MOA-SG3-SG4-SG5 IV
0230	18	NAD	M	1	1	Name and address
0270		SG3	C	9999	2	RFF
0280	19	RFF	M	1	2	Reference
0330		SG5	C	5	2	CTA-COM
0340	20	CTA	M	1	2	Contact information
0350	21	COM	C	5	3	Communication contact
0220		SG2	C	99	1	NAD-LOC-FII-MOA-SG3-SG4-SG5 SU
0230	22	NAD	M	1	1	Name and address
0270		SG3	C	9999	2	RFF
0280	23	RFF	M	1	2	Reference
0330		SG5	C	5	2	CTA-COM
0340	24	CTA	M	1	2	Contact information
0350	25	COM	C	5	3	Communication contact

Counter = Counter of segment/group within the standard  
 No = Consecutive segment number  
 MaxOcc = Maximum occurrence of the segment/group

St = Status  
 EDIFACT: M=Mandatory, C=Conditional  
 User specific: R=Required, O=Optional, D=Dependent,  
 A=Advised, N=Not used

**Structure / Table of Contents**

Counter	No	Tag	St	MaxOcc	Level	Content	
□	0400	<b>SG7</b>	C	99	1	CUX	
	0410	26 <b>CUX</b>	M	1	1	Currencies	
□	0430	<b>SG8</b>	C	10	1	PAT-DTM-PCD-MOA	
	0440	27 <b>PAT</b>	M	1	1	Payment terms basis	
	0450	28 <b>DTM</b>	C	5	2	Date/time/period	
	0460	29 <b>PCD</b>	C	1	2	Percentage details	
	0470	30 <b>MOA</b>	C	1	2	Monetary amount	
□	0590	<b>SG12</b>	C	5	1	TOD-LOC	
	0600	31 <b>TOD</b>	M	1	1	Terms of delivery or transport	
	0610	32 <b>LOC</b>	C	2	2	Place/location identification	
□	1090	<b>SG26</b>	C	9999999	1	LIN-PIA-IMD-QTY-ALI-FTX-SG27-SG27-SG29-SG29-SG30-SG34-SG35-SG35-SG39	
	1100	33 <b>LIN</b>	M	1	1	Line item	
	1110	34 <b>PIA</b>	C	25	2	Additional product id	
	1120	35 <b>IMD</b>	C	99	2	Item description	
	1140	36 <b>QTY</b>	C	5	2	Quantity	
	1160	37 <b>ALI</b>	C	5	2	Additional information	
	1220	38 <b>FTX</b>	C	99	2	Free text	
	□	1240	<b>SG27</b>	C	99	2	MOA-CUX 203
	□	1250	39 <b>MOA</b>	M	1	2	Monetary amount
	□	1240	<b>SG27</b>	C	99	2	MOA-CUX 128
	□	1250	40 <b>MOA</b>	M	1	2	Monetary amount
	□	1320	<b>SG29</b>	C	25	2	PRI-CUX-APR-RNG-DTM AAA
	□	1330	41 <b>PRI</b>	M	1	2	Price details
□	1320	<b>SG29</b>	C	25	2	PRI-CUX-APR-RNG-DTM AAB	
□	1330	42 <b>PRI</b>	M	1	2	Price details	
□	1380	<b>SG30</b>	C	10	2	RFF-DTM	
□	1390	43 <b>RFF</b>	M	1	2	Reference	
□	1400	44 <b>DTM</b>	C	5	3	Date/time/period	
□	1540	<b>SG34</b>	C	99	2	TAX-MOA	
□	1550	45 <b>TAX</b>	M	1	2	Duty/tax/fee details	
□	1560	46 <b>MOA</b>	C	2	3	Monetary amount	
□	1580	<b>SG35</b>	C	99	2	NAD-LOC-FII-SG36-SG37-SG38 BY	
□	1590	47 <b>NAD</b>	M	1	2	Name and address	
□	1680	<b>SG38</b>	C	5	3	CTA-COM	
□	1690	48 <b>CTA</b>	M	1	3	Contact information	
□	1700	49 <b>COM</b>	C	5	4	Communication contact	
□	1580	<b>SG35</b>	C	99	2	NAD-LOC-FII-MOA-SG3-SG4-SG5 DP	

Counter = Counter of segment/group within the standard  
 No = Consecutive segment number  
 MaxOcc = Maximum occurrence of the segment/group

St = Status  
 EDIFACT: M=Mandatory, C=Conditional  
 User specific: R=Required, O=Optional, D=Dependent,  
 A=Advised, N=Not used

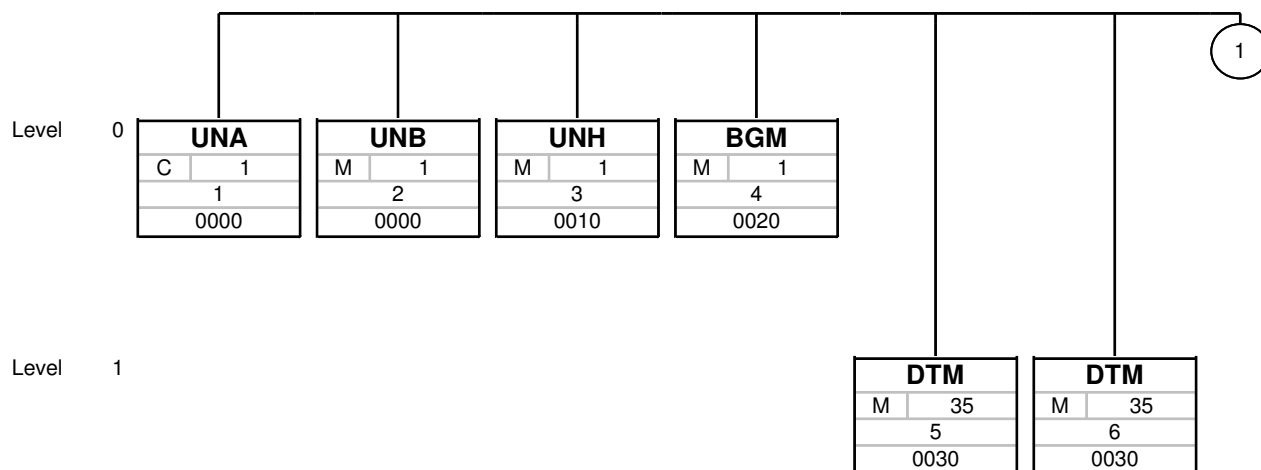
## Structure / Table of Contents

Counter	No	Tag	St	MaxOcc	Level	Content
	1590	50 <b>NAD</b>	M	1	2	Name and address
	1680	<b>SG38</b>	C	5	3	CTA-COM
	1690	51 <b>CTA</b>	M	1	3	Contact information
	1700	52 <b>COM</b>	C	5	4	Communication contact
	1710	<b>SG39</b>	C	30	2	ALC-SG41-SG42-SG42
	1720	53 <b>ALC</b>	M	1	2	Allowance or charge
	1790	<b>SG41</b>	C	1	3	PCD
	1800	54 <b>PCD</b>	M	1	3	Percentage details
	1820	<b>SG42</b>	C	2	3	MOA
	1830	55 <b>MOA</b>	M	1	3	Monetary amount
	1820	<b>SG42</b>	C	2	3	MOA
	1830	56 <b>MOA</b>	M	1	3	Monetary amount
	2160	57 <b>UNS</b>	M	1	0	Section control
	2170	58 <b>CNT</b>	C	10	1	Control total
	2180	<b>SG50</b>	M	100	1	MOA
	2190	59 <b>MOA</b>	M	1	1	Monetary amount
	2230	<b>SG52</b>	C	10	1	TAX-MOA
	2240	60 <b>TAX</b>	M	1	1	Duty/tax/fee details
	2250	61 <b>MOA</b>	C	2	2	Monetary amount
	2260	<b>SG53</b>	C	15	1	ALC-MOA
	2270	62 <b>ALC</b>	M	1	1	Allowance or charge
	2290	63 <b>MOA</b>	C	2	2	Monetary amount
	2310	64 <b>UNT</b>	M	1	0	Message trailer
	0000	65 <b>UNZ</b>	M	1	0	Interchange trailer

Counter = Counter of segment/group within the standard  
 No = Consecutive segment number  
 MaxOcc = Maximum occurrence of the segment/group

St = Status  
 EDIFACT: M=Mandatory, C=Conditional  
 User specific: R=Required, O=Optional, D=Dependent,  
 A=Advised, N=Not used

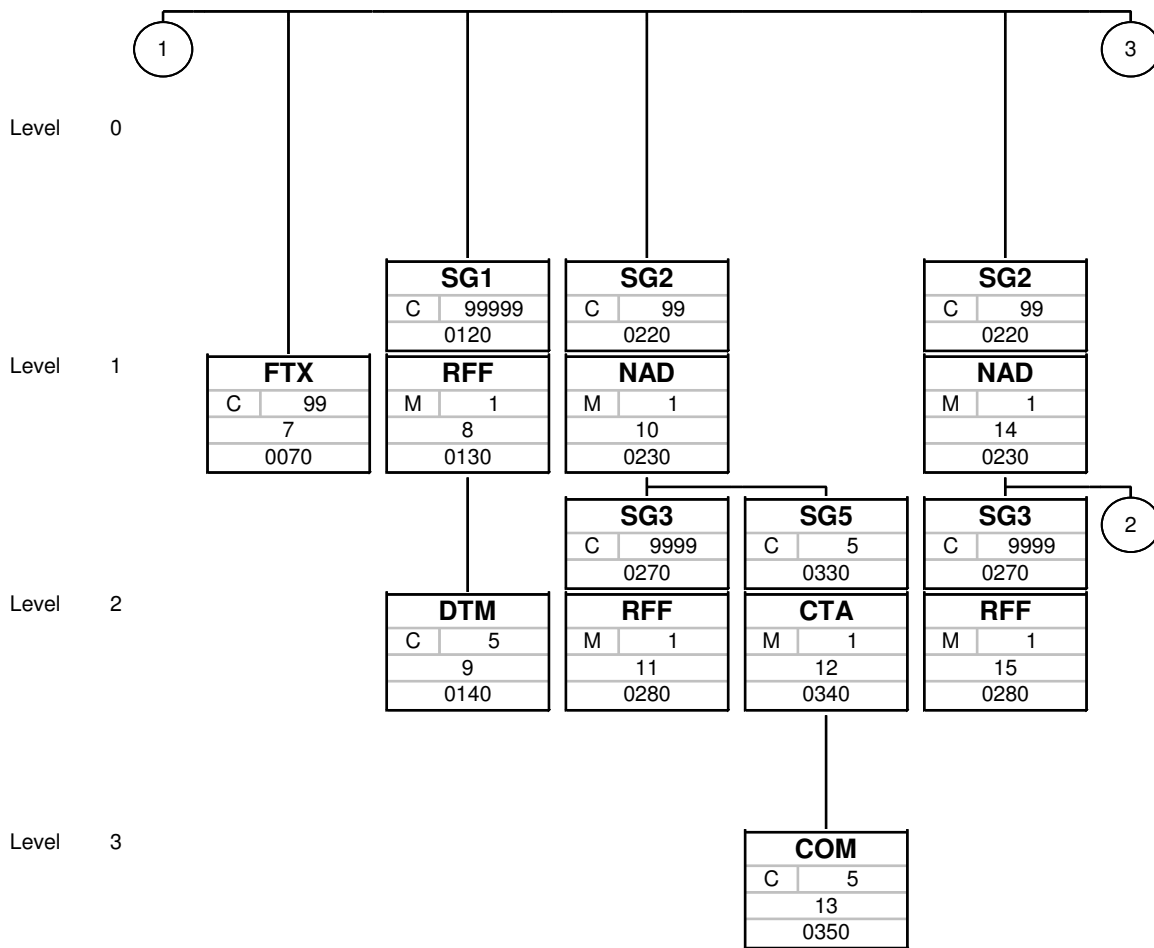
### Branching Diagram of Used Segments/Groups



Tag
St MaxOcc
No
Counter

Tag = Segment/Group Tag  
 St = Status (M=Mandatory, C=Conditional, R=Required, O=Optional, A=Advised, D=Dependent)  
 MaxOcc = Maximum occurrence of the segment/group  
 No = Consecutive segment number  
 Counter = Counter of segment/group within the standard

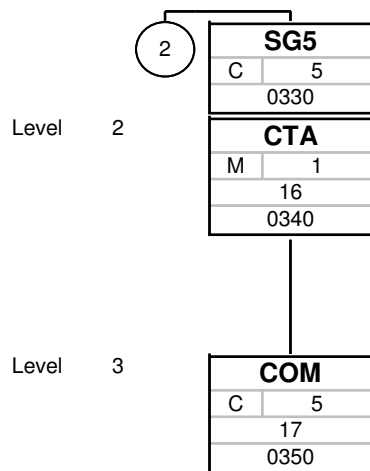
### Branching Diagram of Used Segments/Groups



Tag
St MaxOcc
No
Counter

Tag = Segment/Group Tag  
 St = Status (M=Mandatory, C=Conditional, R=Required, O=Optional, A=Advised, D=Dependent)  
 MaxOcc = Maximum occurrence of the segment/group  
 No = Consecutive segment number  
 Counter = Counter of segment/group within the standard

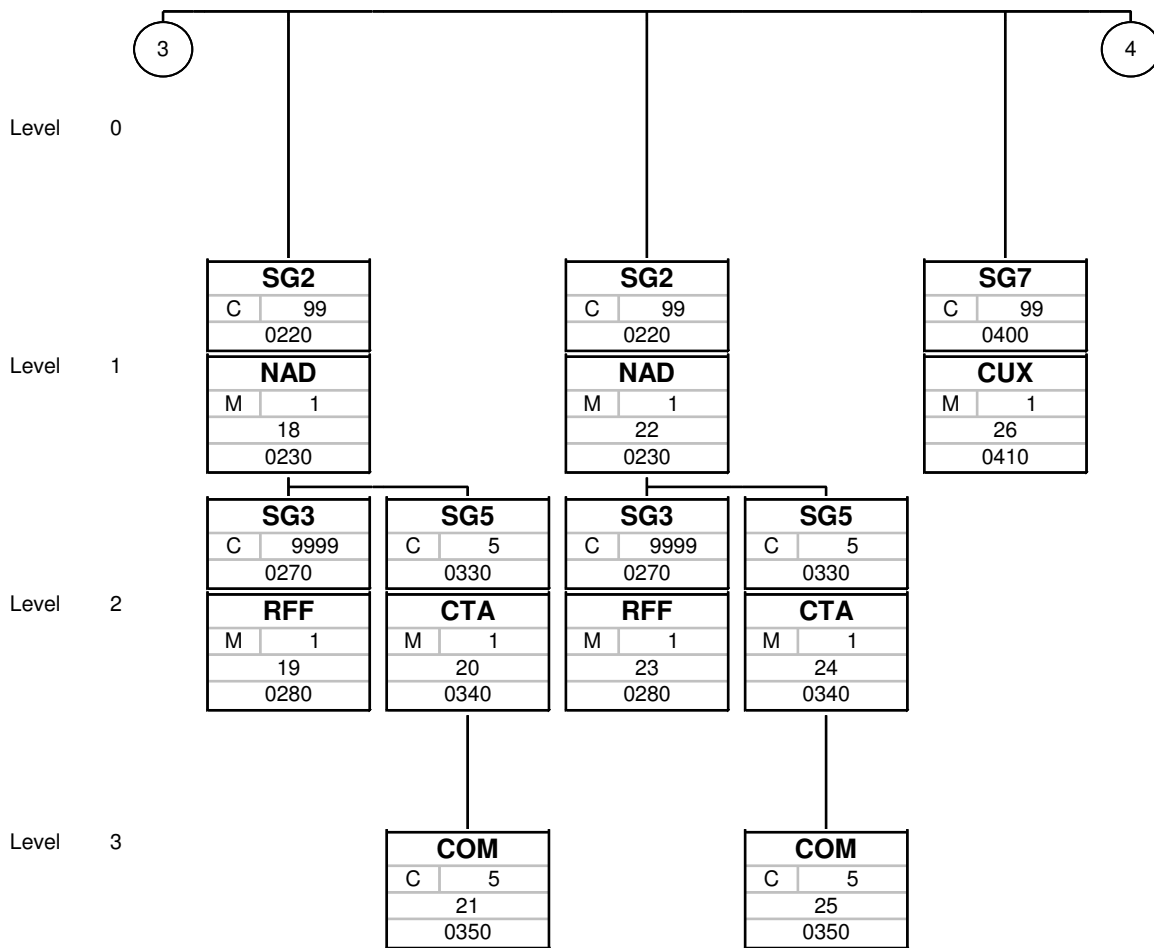
**Branching Diagram of Used Segments/Groups**



Tag
St MaxOcc
No
Counter

Tag = Segment/Group Tag  
 St = Status (M=Mandatory, C=Conditional, R=Required, O=Optional, A=Advised, D=Dependent)  
 MaxOcc = Maximum occurrence of the segment/group  
 No = Consecutive segment number  
 Counter = Counter of segment/group within the standard

## Branching Diagram of Used Segments/Groups

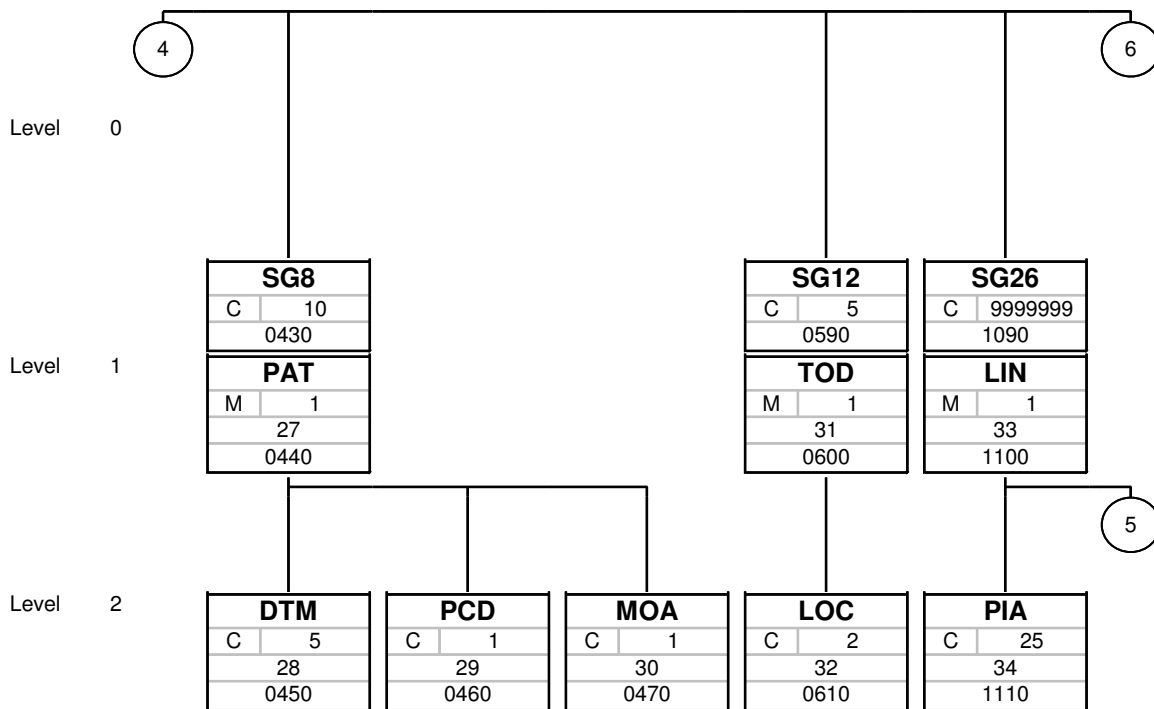


Tag
St MaxOcc
No
Counter

Tag = Segment/Group Tag  
 St = Status (M=Mandatory, C=Conditional, R=Required, O=Optional, A=Advised, D=Dependent)  
 MaxOcc = Maximum occurrence of the segment/group  
 No = Consecutive segment number  
 Counter = Counter of segment/group within the standard



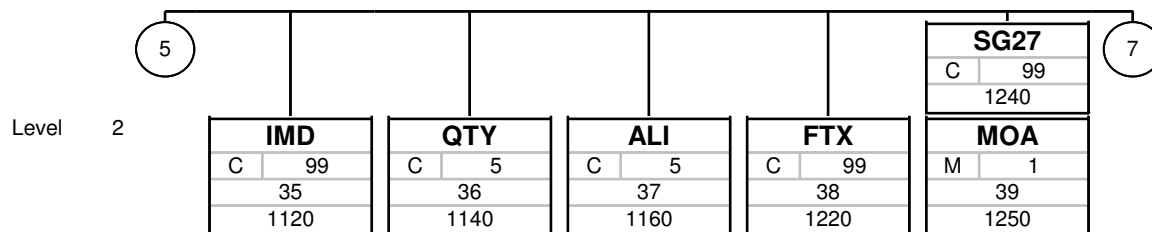
### Branching Diagram of Used Segments/Groups



Tag
St MaxOcc
No
Counter

Tag = Segment/Group Tag  
 St = Status (M=Mandatory, C=Conditional, R=Required, O=Optional, A=Advised, D=Dependent)  
 MaxOcc = Maximum occurrence of the segment/group  
 No = Consecutive segment number  
 Counter = Counter of segment/group within the standard

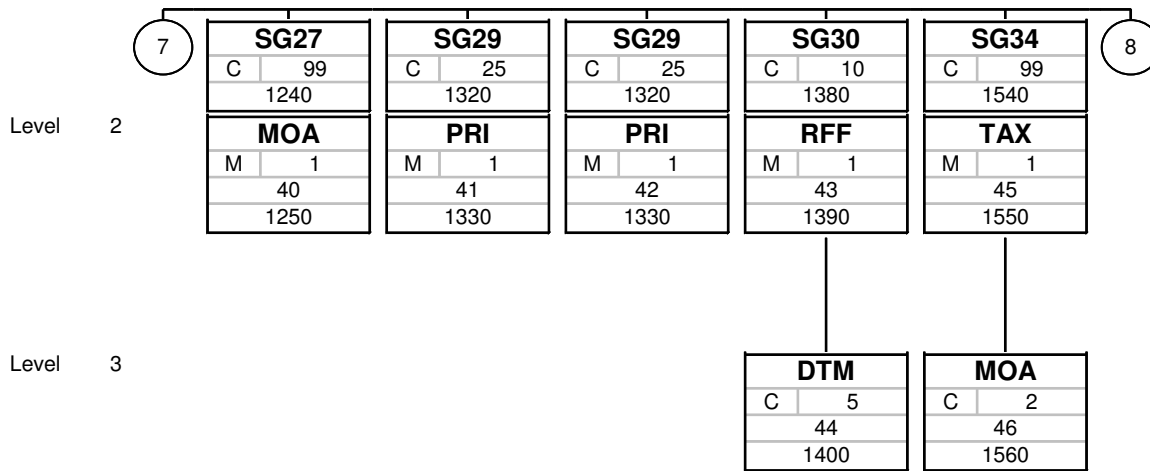
## Branching Diagram of Used Segments/Groups



Tag
St MaxOcc
No
Counter

Tag = Segment/Group Tag  
 St = Status (M=Mandatory, C=Conditional, R=Required, O=Optional, A=Advised, D=Dependent)  
 MaxOcc = Maximum occurrence of the segment/group  
 No = Consecutive segment number  
 Counter = Counter of segment/group within the standard

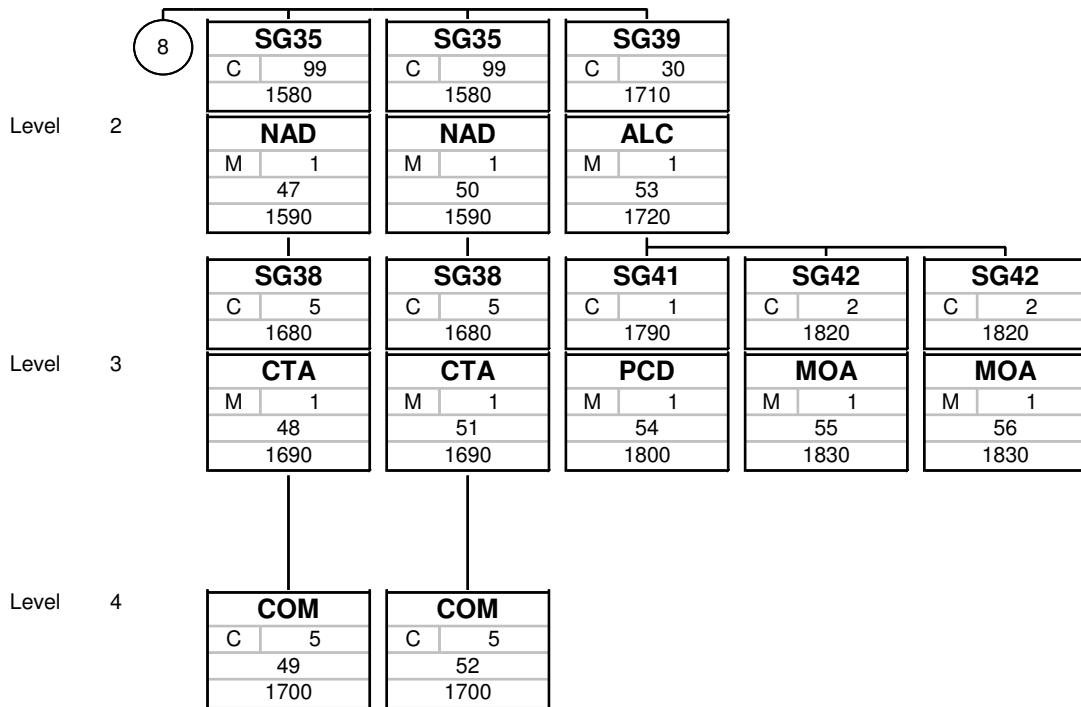
### Branching Diagram of Used Segments/Groups



Tag
St MaxOcc
No
Counter

Tag = Segment/Group Tag  
 St = Status (M=Mandatory, C=Conditional, R=Required, O=Optional, A=Advised, D=Dependent)  
 MaxOcc = Maximum occurrence of the segment/group  
 No = Consecutive segment number  
 Counter = Counter of segment/group within the standard

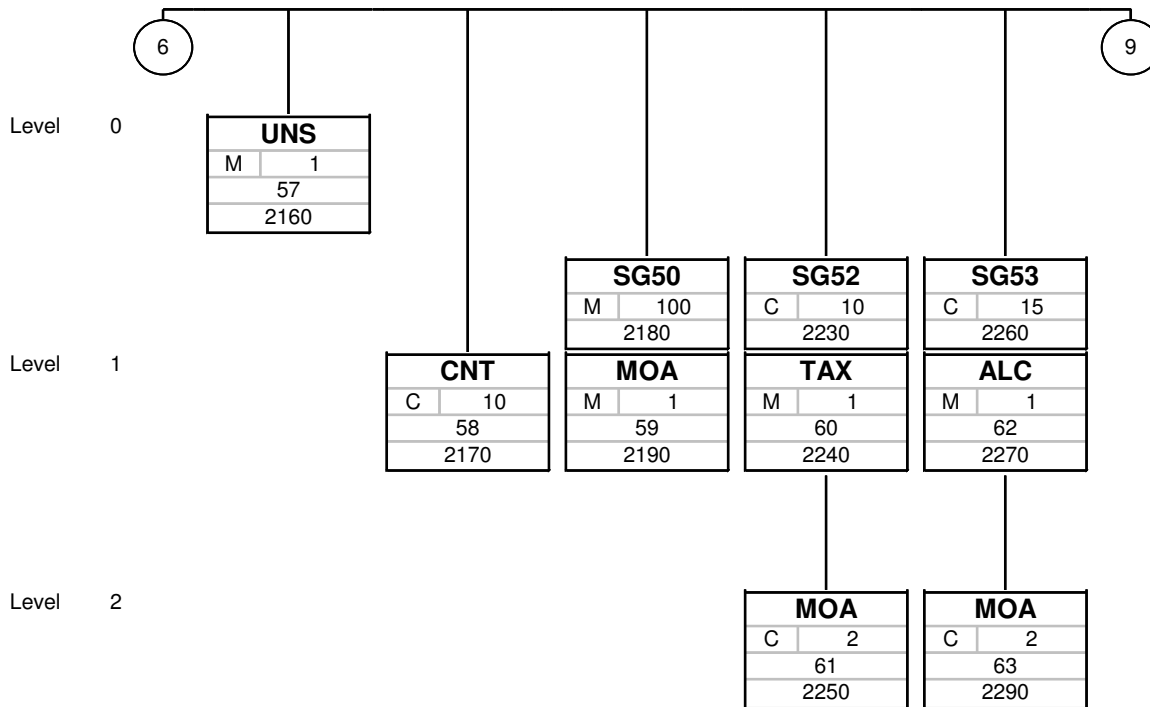
### Branching Diagram of Used Segments/Groups



Tag
St MaxOcc
No
Counter

Tag = Segment/Group Tag  
 St = Status (M=Mandatory, C=Conditional, R=Required, O=Optional, A=Advised, D=Dependent)  
 MaxOcc = Maximum occurrence of the segment/group  
 No = Consecutive segment number  
 Counter = Counter of segment/group within the standard

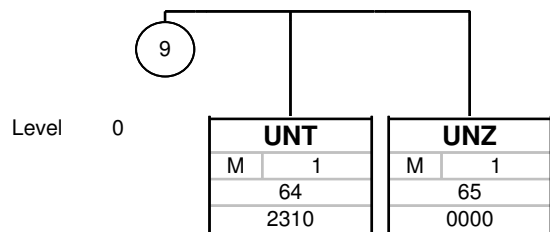
### Branching Diagram of Used Segments/Groups



Tag
St MaxOcc
No
Counter

Tag = Segment/Group Tag  
 St = Status (M=Mandatory, C=Conditional, R=Required, O=Optional, A=Advised, D=Dependent)  
 MaxOcc = Maximum occurrence of the segment/group  
 No = Consecutive segment number  
 Counter = Counter of segment/group within the standard

## Branching Diagram of Used Segments/Groups



Tag
St MaxOcc
No
Counter

Tag = Segment/Group Tag  
 St = Status (M=Mandatory, C=Conditional, R=Required, O=Optional, A=Advised, D=Dependent)  
 MaxOcc = Maximum occurrence of the segment/group  
 No = Consecutive segment number  
 Counter = Counter of segment/group within the standard

## Segments

Counter	No	Tag	St	MaxOcc	Level	Name
0000	1	<b>UNA</b>	C	1	0	Service string advice

Standard			Implementation	
Tag	Name	St Format	St Format	Usage / Remark
UNA				
UNA1	Component data element separator	M an1	M an1	
UNA2	Data element separator	M an1	M an1	
UNA3	Decimal mark	M an1	M an1	
UNA4	Release character	M an1	M an1	
UNA5	Repetition separator	M an1	M an1	
UNA6	Segment terminator	M an1	M an1	

**Remark:**

**Example:**

UNA:+.?\*

No = Consecutive segment number  
 MaxOcc = Maximum occurrence of the segment/group  
 Counter = Counter of segment/group within the standard

St = Status  
 EDIFACT: M=Mandatory, C=Conditional  
 User specific: R=Required, O=Optional, D=Dependent,  
 A=Advised, N=Not used

## Segments

Counter	No	Tag	St	MaxOcc	Level	Name
0000	2	<b>UNB</b>	M	1	0	Interchange header

Standard			Implementation	
Tag	Name	St Format	St Format	Usage / Remark
UNB				
S001	Syntax identifier	M	M	<b>UNOC UN/ECE level C 4 Version 4</b>
0001	Syntax identifier	M a4	M a4	
0002	Syntax version number	M an1	M an1	
S002	Interchange sender	M	M	<b>ZZZ Mutually defined</b>
0004	Interchange sender identification	M an..35	M an..35	
0007	Identification code qualifier	C an..4	C an..4	
S003	Interchange recipient	M	M	<b>ZZZ Mutually defined</b>
0010	Interchange recipient identification	M an..35	M an..35	
0007	Identification code qualifier	C an..4	C an..4	
S004	Date and time of preparation	M	M	
0017	Date	M n8	M n8	
0019	Time	M n4	M n4	
0020	Interchange control reference	M an..14	M an..14	

**Remark:**

**Example:**

UNB+UNOC:4+STIHL\_WN:ZZZ+CUSTOMER\_ID:ZZZ+20110204:1047+83'

No = Consecutive segment number  
 MaxOcc = Maximum occurrence of the segment/group  
 Counter = Counter of segment/group within the standard

St = Status  
 EDIFACT: M=Mandatory, C=Conditional  
 User specific: R=Required, O=Optional, D=Dependent,  
 A=Advised, N=Not used



## Segments

Counter	No	Tag	St	MaxOcc	Level	Name
0010	3	<b>UNH</b>	M	1	0	Message header

Standard			Implementation	
Tag	Name	St Format	St Format	Usage / Remark
UNH				
0062	Message reference number	M an..14	M an..14	
S009	Message identifier	M	M	
0065	Message type	M an..6	M an..6	<b>INVOIC Invoice message</b>
0052	Message version number	M an..3	M an..3	<b>D Draft version/UN/EDIFACT Directory</b>
0054	Message release number	M an..3	M an..3	<b>98B Release 1998 - B</b>
0051	Controlling agency, coded	M an..3	M an..3	<b>UN UN/CEFACT</b>

**Remark:**

**Example:**

UNH+89+INVOIC:D:99B:UN'

No = Consecutive segment number  
 MaxOcc = Maximum occurrence of the segment/group  
 Counter = Counter of segment/group within the standard

St = Status  
 EDIFACT: M=Mandatory, C=Conditional  
 User specific: R=Required, O=Optional, D=Dependent,  
 A=Advised, N=Not used

## Segments

Counter	No	Tag	St	MaxOcc	Level	Name
0020	4	<b>BGM</b>	M	1	0	Beginning of message

Standard			Implementation	
Tag	Name	St Format	St Format	Usage / Remark
BGM				
C002	Document/message name	C	C	
1001	Document name code	C an..3	C an..3	<b>380 Commercial invoice</b> <b>381 Credit note</b>
1000	Document name	C an..35	C an..35	<b>Commer</b> <b>cial</b> <b>invoice</b> <b>Credit</b> <b>note</b>
C106	Document/message identification	C	C	
1004	Document/message number	C an..35	C an..35	
1225	Message function code	C an..3	C an..3	<b>1 Cancellation</b> <b>9 Original</b>

**Remark:**

**Example:**

BGM+380:::Commercial invoice+45009864501+9'

No = Consecutive segment number  
MaxOcc = Maximum occurrence of the segment/group  
Counter = Counter of segment/group within the standard

St = Status  
EDIFACT: M=Mandatory, C=Conditional  
User specific: R=Required, O=Optional, D=Dependent,  
A=Advised, N=Not used

## Segments

Counter	No	Tag	St	MaxOcc	Level	Name
0030	5	<b>DTM</b>	M	35	1	Date/time/period 3

Standard			Implementation	
Tag	Name	St Format	St Format	Usage / Remark
DTM				
C507	Date/time/period	M	M	
2005	Date/time/period function code qualifier	M an..3	M an..3	<b>3 Invoice date/time</b> Qualifier 3 describes the date when the invoice was created. It can differ from the value date which is described in DTM+209.
2380	Date/time/period value	C an..35	C an..35	
2379	Date/time/period format code	C an..3	C an..3	<b>102 CCYMMDD</b>

**Remark:**

**Example:**

DTM+3:20101201:102'

No = Consecutive segment number  
MaxOcc = Maximum occurrence of the segment/group  
Counter = Counter of segment/group within the standard

St = Status  
EDIFACT: M=Mandatory, C=Conditional  
User specific: R=Required, O=Optional, D=Dependent,  
A=Advised, N=Not used

## Segments

Counter	No	Tag	St	MaxOcc	Level	Name
0030	6	<b>DTM</b>	M	35	1	Date/time/period 209

Standard			Implementation	
Tag	Name	St Format	St Format	Usage / Remark
DTM				
C507	Date/time/period	M	M	
2005	Date/time/period function code qualifier	M an..3	M an..3	<b>209 Value date</b>
2380	Date/time/period value	C an..35	C an..35	
2379	Date/time/period format code	C an..3	C an..3	<b>102 CCYYMMDD</b>

**Remark:**

**Example:**

DTM+209:20101201:102'

No = Consecutive segment number  
 MaxOcc = Maximum occurrence of the segment/group  
 Counter = Counter of segment/group within the standard

St = Status  
 EDIFACT: M=Mandatory, C=Conditional  
 User specific: R=Required, O=Optional, D=Dependent,  
 A=Advised, N=Not used

## Segments

Counter	No	Tag	St	MaxOcc	Level	Name
0070	7	<b>FTX</b>	C	99	1	Free text

Standard			Implementation	
Tag	Name	St Format	St Format	Usage / Remark
FTX				
4451	Text subject code qualifier	M an..3	M an..3	<b>AAI General information</b>
C108	Text literal	C	C	
4440	Free text value	M an..512	M an..512	

**Remark:**

**Example:**

FTX+AAI+++This is a free text. Please pay our invoice as soon as possible'

No = Consecutive segment number  
 MaxOcc = Maximum occurrence of the segment/group  
 Counter = Counter of segment/group within the standard

St = Status  
 EDIFACT: M=Mandatory, C=Conditional  
 User specific: R=Required, O=Optional, D=Dependent,  
 A=Advised, N=Not used

## Segments

Counter	No	Tag	St	MaxOcc	Level	Name
0120		<b>SG1</b>	C	99999	1	<b>RFF-DTM</b>
The references given in this group refer to the whole document. If they need to be given on line item level use segment group 30.						
0130	8	<b>RFF</b>	M	1	1	<b>Reference</b>

Standard			Implementation	
Tag	Name	St Format	St Format	Usage / Remark
RFF				
C506	Reference	M	M	
1153	Reference function code qualifier	M an..3	M an..3	<b>DQ Delivery note number</b>
1154	Reference identifier	C an..35	C an..35	<b>ON Order number (purchase)</b> <b>OI Previous invoice number</b>

**Remark:**

**Example:**

RFF+DQ:LS06000070'

No = Consecutive segment number  
 MaxOcc = Maximum occurrence of the segment/group  
 Counter = Counter of segment/group within the standard

St = Status  
 EDIFACT: M=Mandatory, C=Conditional  
 User specific: R=Required, O=Optional, D=Dependent,  
 A=Advised, N=Not used

## Segments

Counter	No	Tag	St	MaxOcc	Level	Name
0120		<b>SG1</b>	C	99999	1	<b>RFF-DTM</b>
The references given in this group refer to the whole document. If they need to be given on line item level use segment group 30.						
0140	9	<b>DTM</b>	C	5	2	<b>Date/time/period</b>

Standard			Implementation	
Tag	Name	St Format	St Format	Usage / Remark
DTM				
C507	Date/time/period	M	M	<b>137 Document/message date/time</b> <b>10 Shipment date/time, requested</b> If the RFF segment describes the delivery note number (DQ) and the date of the shipment differs from the date of delivery note creation please give additionally the date of shipment using code 10. If code 10 is omitted the invoice receiver assumes that they are identical.
2005	Date/time/period function code qualifier	M an..3	M an..3	
2380	Date/time/period value	C an..35	C an..35	
2379	Date/time/period format code	C an..3	C an..3	
				<b>102 CCYYMMDD</b>

**Remark:**

**Example:**

DTM+137:20051212:102'

No = Consecutive segment number  
 MaxOcc = Maximum occurrence of the segment/group  
 Counter = Counter of segment/group within the standard

St = Status  
 EDIFACT: M=Mandatory, C=Conditional  
 User specific: R=Required, O=Optional, D=Dependent,  
 A=Advised, N=Not used

## Segments

Counter	No	Tag	St	MaxOcc	Level	Name
0220		<b>SG2</b>	C	99	1	<b>NAD-LOC-FII-MOA-SG3-SG4-SG5 BY</b>
The name and address information given in this segment group refer to the whole document. If they need to be given on line item level use SG 35.						
0230	10	<b>NAD</b>	M	1	1	<b>Name and address</b>

Standard			Implementation	
Tag	Name	St Format	St Format	Usage / Remark
NAD				
3035	Party function code qualifier	M an..3	M an..3	<b>BY Buyer</b>
C082	Party identification details	C	C	<b>91 Assigned by seller or seller's agent</b>
3039	Party identifier	M an..35	M an..35	
3055	Code list responsible agency code	C an..3	C an..3	
C080	Party name	C	C	
3036	Party name	M an..35	M an..35	
C059	Street	C	C	
3042	Street and number/p.o. box	M an..35	M an..35	
3164	City name	C an..35	C an..35	
3251	Postal identification code	C an..17	C an..17	
3207	Country name code	C an..3	C an..3	

**Remark:**

**Example:**

NAD+BY+815007::91++Haig&Mark+Castleview Lane 31+Ebony City++72401+NZ'

No = Consecutive segment number  
 MaxOcc = Maximum occurrence of the segment/group  
 Counter = Counter of segment/group within the standard

St = Status  
 EDIFACT: M=Mandatory, C=Conditional  
 User specific: R=Required, O=Optional, D=Dependent,  
 A=Advised, N=Not used



## Segments

Counter	No	Tag	St	MaxOcc	Level	Name
0270		<b>SG3</b>	C	9999	2	<b>RFF</b>
0280	11	<b>RFF</b>	M	1	2	<b>Reference</b>

Standard			Implementation	
Tag	Name	St Format	St Format	Usage / Remark
RFF				
C506	Reference	M	M	<b>VA VAT registration number</b>
1153	Reference function code qualifier	M an..3	M an..3	
1154	Reference identifier	C an..35	C an..35	

**Remark:**

**Example:**

RFF+VA:CN4565F976'

No = Consecutive segment number  
 MaxOcc = Maximum occurrence of the segment/group  
 Counter = Counter of segment/group within the standard

St = Status  
 EDIFACT: M=Mandatory, C=Conditional  
 User specific: R=Required, O=Optional, D=Dependent,  
 A=Advised, N=Not used

## Segments

Counter	No	Tag	St	MaxOcc	Level	Name
	0330	<b>SG5</b>	C	5	2	<b>CTA-COM</b>
	0340	12 <b>CTA</b>	M	1	2	<b>Contact information</b>

Standard			Implementation	
Tag	Name	St Format	St Format	Usage / Remark
CTA				
3139	Contact function code	C an..3	C an..3	<b>PD Purchasing contact</b>
C056	Department or employee details	C	C	
3412	Department or employee	C an..35	C an..35	

**Remark:**

**Example:**

CTA+PD+:Thomas Weller'

No = Consecutive segment number  
 MaxOcc = Maximum occurrence of the segment/group  
 Counter = Counter of segment/group within the standard

St = Status  
 EDIFACT: M=Mandatory, C=Conditional  
 User specific: R=Required, O=Optional, D=Dependent,  
 A=Advised, N=Not used

## Segments

Counter	No	Tag	St	MaxOcc	Level	Name
	0330	<b>SG5</b>	C	5	2	<b>CTA-COM</b>
	0350	13 <b>COM</b>	C	5	3	<b>Communication contact</b>

Standard			Implementation	
Tag	Name	St Format	St Format	Usage / Remark
COM				
C076	Communication contact	M	M	
3148	Communication number	M an..512	M an..512	
3155	Communication number code qualifier	M an..3	M an..3	<b>FX Telefax</b> <b>EM Electronic mail</b> <b>TE Telephone</b>

**Remark:**

**Example:**

COM+07474268614:TE'

No = Consecutive segment number  
MaxOcc = Maximum occurrence of the segment/group  
Counter = Counter of segment/group within the standard

St = Status  
EDIFACT: M=Mandatory, C=Conditional  
User specific: R=Required, O=Optional, D=Dependent,  
A=Advised, N=Not used

## Segments

Counter	No	Tag	St	MaxOcc	Level	Name
	0220	<b>SG2</b>	C	99	1	<b>NAD-LOC-FII-MOA-SG3-SG4-SG5 DP</b>
The name and address information given in this segment group refer to the whole document. If they need to be given on line item level use SG 35.						
	0230	14	<b>NAD</b>	M	1	<b>Name and address</b>

Standard			Implementation	
Tag	Name	St Format	St Format	Usage / Remark
NAD				
3035	Party function code qualifier	M an..3	M an..3	<b>DP Delivery party</b>
C082	Party identification details	C	C	<b>91 Assigned by seller or seller's agent</b>
3039	Party identifier	M an..35	M an..35	
3055	Code list responsible agency code	C an..3	C an..3	
C080	Party name	C	C	
3036	Party name	M an..35	M an..35	
C059	Street	C	C	
3042	Street and number/p.o. box	M an..35	M an..35	
3164	City name	C an..35	C an..35	
3251	Postal identification code	C an..17	C an..17	
3207	Country name code	C an..3	C an..3	

**Remark:**

**Example:**

NAD+DP+724010815::91++Haig&Mark+Warehouse Road 23+Ebony City++72401+NZ'

No = Consecutive segment number  
 MaxOcc = Maximum occurrence of the segment/group  
 Counter = Counter of segment/group within the standard

St = Status  
 EDIFACT: M=Mandatory, C=Conditional  
 User specific: R=Required, O=Optional, D=Dependent,  
 A=Advised, N=Not used

## Segments

Counter	No	Tag	St	MaxOcc	Level	Name
	0270	<b>SG3</b>	C	9999	2	<b>RFF</b>
	0280	<b>RFF</b>	M	1	2	<b>Reference</b>

Standard			Implementation	
Tag	Name	St Format	St Format	Usage / Remark
RFF				
C506	Reference	M	M	<b>VA VAT registration number</b>
1153	Reference function code qualifier	M an..3	M an..3	
1154	Reference identifier	C an..35	C an..35	

**Remark:**

**Example:**

RFF+VA:DE2345F976'

No = Consecutive segment number  
 MaxOcc = Maximum occurrence of the segment/group  
 Counter = Counter of segment/group within the standard

St = Status  
 EDIFACT: M=Mandatory, C=Conditional  
 User specific: R=Required, O=Optional, D=Dependent,  
 A=Advised, N=Not used

## Segments

Counter	No	Tag	St	MaxOcc	Level	Name
	0330	<b>SG5</b>	C	5	2	<b>CTA-COM</b>
	0340	16 <b>CTA</b>	M	1	2	<b>Contact information</b>

Standard			Implementation	
Tag	Name	St Format	St Format	Usage / Remark
CTA				
3139	Contact function code	C an..3	C an..3	<b>GR Goods receiving contact</b>
C056	Department or employee details	C	C	
3412	Department or employee	C an..35	C an..35	

**Remark:**

**Example:**

CTA+GR+:Paul Emany'

No = Consecutive segment number  
 MaxOcc = Maximum occurrence of the segment/group  
 Counter = Counter of segment/group within the standard

St = Status  
 EDIFACT: M=Mandatory, C=Conditional  
 User specific: R=Required, O=Optional, D=Dependent,  
 A=Advised, N=Not used

## Segments

Counter	No	Tag	St	MaxOcc	Level	Name	
	0330	<b>SG5</b>	C	5	2	<b>CTA-COM</b>	
	0350	17	<b>COM</b>	C	5	3	<b>Communication contact</b>

Standard			Implementation	
Tag	Name	St Format	St Format	Usage / Remark
COM				
C076	Communication contact	M	M	
3148	Communication number	M an..512	M an..512	
3155	Communication number code qualifier	M an..3	M an..3	<b>FX Telefax</b> <b>EM Electronic mail</b> <b>TE Telephone</b>

**Remark:**

**Example:**

COM+07474261809:TE'

No = Consecutive segment number  
MaxOcc = Maximum occurrence of the segment/group  
Counter = Counter of segment/group within the standard

St = Status  
EDIFACT: M=Mandatory, C=Conditional  
User specific: R=Required, O=Optional, D=Dependent,  
A=Advised, N=Not used

## Segments

Counter	No	Tag	St	MaxOcc	Level	Name
0220		<b>SG2</b>	C	99	1	<b>NAD-LOC-FII-MOA-SG3-SG4-SG5 IV</b>
The name and address information given in this segment group refer to the whole document. If they need to be given on line item level use SG 35.						
0230	18	<b>NAD</b>	M	1	1	<b>Name and address</b>

Standard			Implementation	
Tag	Name	St Format	St Format	Usage / Remark
NAD				
3035	Party function code qualifier	M an..3	M an..3	<b>IV Invoicee</b>
C082	Party identification details	C	C	<b>91 Assigned by seller or seller's agent</b>
3039	Party identifier	M an..35	M an..35	
3055	Code list responsible agency code	C an..3	C an..3	
C080	Party name	C	C	
3036	Party name	M an..35	M an..35	
C059	Street	C	C	
3042	Street and number/p.o. box	M an..35	M an..35	
3164	City name	C an..35	C an..35	
3251	Postal identification code	C an..17	C an..17	
3207	Country name code	C an..3	C an..3	

**Remark:**

**Example:**

NAD+IV+815007::91++Haig&Mark+Castleview Lane 31+Ebony City++72401+NZ'

No = Consecutive segment number  
 MaxOcc = Maximum occurrence of the segment/group  
 Counter = Counter of segment/group within the standard

St = Status  
 EDIFACT: M=Mandatory, C=Conditional  
 User specific: R=Required, O=Optional, D=Dependent,  
 A=Advised, N=Not used



## Segments

Counter	No	Tag	St	MaxOcc	Level	Name	
	0270	<b>SG3</b>	C	9999	2	<b>RFF</b>	
	0280	19	<b>RFF</b>	M	1	2	<b>Reference</b>

Standard			Implementation	
Tag	Name	St Format	St Format	Usage / Remark
RFF				
C506	Reference	M	M	<b>VA VAT registration number</b>
1153	Reference function code qualifier	M an..3	M an..3	
1154	Reference identifier	C an..35	C an..35	

**Remark:**

**Example:**

RFF+VA:CN4565F976'

No = Consecutive segment number  
 MaxOcc = Maximum occurrence of the segment/group  
 Counter = Counter of segment/group within the standard

St = Status  
 EDIFACT: M=Mandatory, C=Conditional  
 User specific: R=Required, O=Optional, D=Dependent,  
 A=Advised, N=Not used

## Segments

Counter	No	Tag	St	MaxOcc	Level	Name
	0330	<b>SG5</b>	C	5	2	<b>CTA-COM</b>
	0340	20 <b>CTA</b>	M	1	2	<b>Contact information</b>

Standard			Implementation	
Tag	Name	St Format	St Format	Usage / Remark
CTA				
3139	Contact function code	C an..3	C an..3	<b>PD Purchasing contact</b>
C056	Department or employee details	C	C	
3412	Department or employee	C an..35	C an..35	

**Remark:**

**Example:**

CTA+PD+:Thomas Weller'

No = Consecutive segment number  
 MaxOcc = Maximum occurrence of the segment/group  
 Counter = Counter of segment/group within the standard

St = Status  
 EDIFACT: M=Mandatory, C=Conditional  
 User specific: R=Required, O=Optional, D=Dependent,  
 A=Advised, N=Not used

**Segments**

Counter	No	Tag	St	MaxOcc	Level	Name	
	0330	<b>SG5</b>	C	5	2	<b>CTA-COM</b>	
	0350	21	<b>COM</b>	C	5	3	<b>Communication contact</b>

Standard			Implementation	
Tag	Name	St Format	St Format	Usage / Remark
COM				
C076	Communication contact	M	M	
3148	Communication number	M an..512	M an..512	
3155	Communication number code qualifier	M an..3	M an..3	<b>FX Telefax</b> <b>EM Electronic mail</b> <b>TE Telephone</b>

**Remark:**

**Example:**

COM+07474268614:TE'

No = Consecutive segment number  
 MaxOcc = Maximum occurrence of the segment/group  
 Counter = Counter of segment/group within the standard

St = Status  
 EDIFACT: M=Mandatory, C=Conditional  
 User specific: R=Required, O=Optional, D=Dependent,  
 A=Advised, N=Not used

## Segments

Counter	No	Tag	St	MaxOcc	Level	Name
0220		<b>SG2</b>	C	99	1	<b>NAD-LOC-FII-MOA-SG3-SG4-SG5 SU</b>
The name and address information given in this segment group refer to the whole document. If they need to be given on line item level use SG 35.						
0230	22	<b>NAD</b>	M	1	1	<b>Name and address</b>

Standard			Implementation	
Tag	Name	St Format	St Format	Usage / Remark
NAD				
3035	Party function code qualifier	M an..3	M an..3	<b>SU Supplier</b>
C082	Party identification details	C	C	<b>92 Assigned by buyer or buyer's agent</b>
3039	Party identifier	M an..35	M an..35	
3055	Code list responsible agency code	C an..3	C an..3	
C080	Party name	C	C	
3036	Party name	M an..35	M an..35	
C059	Street	C	C	
3042	Street and number/p.o. box	M an..35	M an..35	
3164	City name	C an..35	C an..35	
3251	Postal identification code	C an..17	C an..17	
3207	Country name code	C an..3	C an..3	

**Remark:**

**Example:**

NAD+SU+743334::92++STIHL LTD.+9 Bishop Browne Place+AUCKLAND++1730+NZ'

No = Consecutive segment number  
 MaxOcc = Maximum occurrence of the segment/group  
 Counter = Counter of segment/group within the standard

St = Status  
 EDIFACT: M=Mandatory, C=Conditional  
 User specific: R=Required, O=Optional, D=Dependent,  
 A=Advised, N=Not used

## Segments

Counter	No	Tag	St	MaxOcc	Level	Name	
	0270	<b>SG3</b>	C	9999	2	<b>RFF</b>	
	0280	23	<b>RFF</b>	M	1	2	<b>Reference</b>

Standard			Implementation	
Tag	Name	St Format	St Format	Usage / Remark
RFF				
C506	Reference	M	M	<b>VA VAT registration number</b>
1153	Reference function code qualifier	M an..3	M an..3	
1154	Reference identifier	C an..35	C an..35	

**Remark:**

**Example:**

RFF+VA:DE2345F976'

No = Consecutive segment number  
 MaxOcc = Maximum occurrence of the segment/group  
 Counter = Counter of segment/group within the standard

St = Status  
 EDIFACT: M=Mandatory, C=Conditional  
 User specific: R=Required, O=Optional, D=Dependent,  
 A=Advised, N=Not used

## Segments

Counter	No	Tag	St	MaxOcc	Level	Name
0330		<b>SG5</b>	C	5	2	<b>CTA-COM</b>
0340	24	<b>CTA</b>	M	1	2	<b>Contact information</b>

Standard			Implementation	
Tag	Name	St Format	St Format	Usage / Remark
CTA				
3139	Contact function code	C an..3	C an..3	<b>SR Sales representative or department</b>
C056	Department or employee details	C	C	
3412	Department or employee	C an..35	C an..35	

**Remark:**

**Example:**

CTA+SR+:Dean Bunny'

No = Consecutive segment number  
 MaxOcc = Maximum occurrence of the segment/group  
 Counter = Counter of segment/group within the standard

St = Status  
 EDIFACT: M=Mandatory, C=Conditional  
 User specific: R=Required, O=Optional, D=Dependent,  
 A=Advised, N=Not used

**Segments**

Counter	No	Tag	St	MaxOcc	Level	Name
	0330	<b>SG5</b>	C	5	2	<b>CTA-COM</b>
	0350	25 <b>COM</b>	C	5	3	<b>Communication contact</b>

Standard			Implementation	
Tag	Name	St Format	St Format	Usage / Remark
COM				
C076	Communication contact	M	M	
3148	Communication number	M an..512	M an..512	
3155	Communication number code qualifier	M an..3	M an..3	<b>FX Telefax</b> <b>EM Electronic mail</b> <b>TE Telephone</b>

**Remark:**

**Example:**

COM+92624123:TE'

No = Consecutive segment number  
 MaxOcc = Maximum occurrence of the segment/group  
 Counter = Counter of segment/group within the standard

St = Status  
 EDIFACT: M=Mandatory, C=Conditional  
 User specific: R=Required, O=Optional, D=Dependent,  
 A=Advised, N=Not used

## Segments

Counter	No	Tag	St	MaxOcc	Level	Name
0400		<b>SG7</b>	C	99	1	<b>CUX</b>
0410	26	<b>CUX</b>	M	1	1	<b>Currencies</b>

Standard			Implementation	
Tag	Name	St Format	St Format	Usage / Remark
CUX				
C504	Currency details	C	C	
6347	Currency details qualifier	M an..3	M an..3	<b>2 Reference currency</b>
6345	Currency identification code	C an..3	C an..3	<b>EUR Euro</b> <b>CHF Swiss Franc</b> <b>USD US Dollar</b> <b>NZD New Zealand Dollar</b> <b>AUD Australian Dollar</b>
By coordination of STIHL ClearingCenter more currency codes can be introduced.				
6343	Currency qualifier	C an..3	C an..3	<b>4 Invoicing currency</b>

**Remark:**

**Example:**

CUX+2 : NZD : 4 \*

No = Consecutive segment number  
 MaxOcc = Maximum occurrence of the segment/group  
 Counter = Counter of segment/group within the standard

St = Status  
 EDIFACT: M=Mandatory, C=Conditional  
 User specific: R=Required, O=Optional, D=Dependent,  
 A=Advised, N=Not used



## Segments

Counter	No	Tag	St	MaxOcc	Level	Name
---------	----	-----	----	--------	-------	------

0430		<b>SG8</b>	C	10	1	<b>PAT-DTM-PCD-MOA</b>
------	--	------------	---	----	---	------------------------

If early payment allowance is given two occurrences of this segment group have to be declared. One explains the terms of early payment allowance. The other provides information about the maturity date (i.e. date of payment without reduction).

There are basically two ways how to express the due dates.

1. It is counted in days referring to a value date (DTM+209 in SG0).
2. The due dates are explicitly given as a fixed date.

Whether additional discounts for each installment can be taken is described with the PCD and MOA segment.

In any case one instance of SG8 has to occur in order to provide the final due date of the invoice.

0440	27	<b>PAT</b>	M	1	1	<b>Payment terms basis</b>
------	----	------------	---	---	---	----------------------------

Standard			Implementation	
Tag	Name	St Format	St Format	Usage / Remark
PAT				
4279	Payment terms type code qualifier	M an..3	M an..3	<b>3 Fixed date</b> PAT+3 gives information about the outermost due date for each instalment. If the total sum can be paid with several instalments several PAT groups occur.
C112	Terms/time information	C	C	
2475	Time reference code	M an..3	M an..3	<b>66 Specified date</b>

**Remark:**

**Example:**

PAT+3++66'

No = Consecutive segment number  
MaxOcc = Maximum occurrence of the segment/group  
Counter = Counter of segment/group within the standard

St = Status  
EDIFACT: M=Mandatory, C=Conditional  
User specific: R=Required, O=Optional, D=Dependent,  
A=Advised, N=Not used

## Segments

Counter	No	Tag	St	MaxOcc	Level	Name
---------	----	-----	----	--------	-------	------

0430		<b>SG8</b>	C	10	1	<b>PAT-DTM-PCD-MOA</b>
------	--	------------	---	----	---	------------------------

If early payment allowance is given two occurrences of this segment group have to be declared. One explains the terms of early payment allowance. The other provides information about the maturity date (i.e. date of payment without reduction).

There are basically two ways how to express the due dates.

1. It is counted in days referring to a value date (DTM+209 in SG0).
2. The due dates are explicitly given as a fixed date.

Whether additional discounts for each installment can be taken is described with the PCD and MOA segment.

In any case one instance of SG8 has to occur in order to provide the final due date of the invoice.

0450	28	<b>DTM</b>	C	5	2	<b>Date/time/period</b>
------	----	------------	---	---	---	-------------------------

Standard			Implementation	
Tag	Name	St Format	St Format	Usage / Remark
DTM				
C507	Date/time/period	M	M	
2005	Date/time/period function code qualifier	M an..3	M an..3	<p><b>12 Terms discount due date/time</b>  <b>13 Terms net due date</b></p> <p>If for this payment/installment an early payment discount can be taken then code 12 describes the due date. If date is given by number of days please use DE2379 with code 804. Using code 12 requires the subsequent segments PCD and MOA to be filled.                      Code 13 gives information about the sum to be paid without any discount. In this case PCD and MOA remain empty. The amount is provided in the UNS section.</p>
2380	Date/time/period value	C an..35	C an..35	
2379	Date/time/period format code	C an..3	C an..3	<p><b>102 CCYMMDD</b>  <b>804 Day</b></p> <p>If the timeline needs to be given in number of days referring to the value date DTM+209 in SG0 use code 804 instead 102 and provide the number of days in DE 2380.</p>

**Remark:**

**Example:**

DTM+12:20101211:102'

No = Consecutive segment number  
 MaxOcc = Maximum occurrence of the segment/group  
 Counter = Counter of segment/group within the standard

St = Status  
 EDIFACT: M=Mandatory, C=Conditional  
 User specific: R=Required, O=Optional, D=Dependent,  
 A=Advised, N=Not used

## Segments

Counter	No	Tag	St	MaxOcc	Level	Name
---------	----	-----	----	--------	-------	------

0430		<b>SG8</b>	C	10	1	<b>PAT-DTM-PCD-MOA</b>
------	--	------------	---	----	---	------------------------

If early payment allowance is given two occurrences of this segment group have to be declared. One explains the terms of early payment allowance. The other provides information about the maturity date (i.e. date of payment without reduction).

There are basically two ways how to express the due dates.

1. It is counted in days referring to a value date (DTM+209 in SG0).
2. The due dates are explicitly given as a fixed date.

Whether additional discounts for each installment can be taken is described with the PCD and MOA segment.

In any case one instance of SG8 has to occur in order to provide the final due date of the invoice.

0460	29	<b>PCD</b>	C	1	2	<b>Percentage details</b>
------	----	------------	---	---	---	---------------------------

		Standard	Implementation	
Tag	Name	St Format	St Format	Usage / Remark
PCD				
C501	Percentage details	M	M	
5245	Percentage type code qualifier	M an..3	M an..3	<b>12 Discount</b>
5482	Percentage	C n..10	C n..10	

**Remark:**

**Example:**

PCD+12:3'

No = Consecutive segment number  
 MaxOcc = Maximum occurrence of the segment/group  
 Counter = Counter of segment/group within the standard

St = Status  
 EDIFACT: M=Mandatory, C=Conditional  
 User specific: R=Required, O=Optional, D=Dependent,  
 A=Advised, N=Not used

## Segments

Counter	No	Tag	St	MaxOcc	Level	Name
---------	----	-----	----	--------	-------	------

0430		<b>SG8</b>	C	10	1	<b>PAT-DTM-PCD-MOA</b>
------	--	------------	---	----	---	------------------------

If early payment allowance is given two occurrences of this segment group have to be declared. One explains the terms of early payment allowance. The other provides information about the maturity date (i.e. date of payment without reduction).

There are basically two ways how to express the due dates.

1. It is counted in days referring to a value date (DTM+209 in SG0).
2. The due dates are explicitly given as a fixed date.

Whether additional discounts for each installment can be taken is described with the PCD and MOA segment.

In any case one instance of SG8 has to occur in order to provide the final due date of the invoice.

0470	30	<b>MOA</b>	C	1	2	<b>Monetary amount</b>
------	----	------------	---	---	---	------------------------

Standard			Implementation	
Tag	Name	St Format	St Format	Usage / Remark
MOA				
C516	Monetary amount	M	M	<b>52 Discount amount</b>
5025	Monetary amount type code qualifier	M an..3	M an..3	
5004	Monetary amount value	C n..35	C n..35	

**Remark:**

**Example:**

MOA+52:1.71'

No = Consecutive segment number  
 MaxOcc = Maximum occurrence of the segment/group  
 Counter = Counter of segment/group within the standard

St = Status  
 EDIFACT: M=Mandatory, C=Conditional  
 User specific: R=Required, O=Optional, D=Dependent,  
 A=Advised, N=Not used

## Segments

Counter	No	Tag	St	MaxOcc	Level	Name
	0590	<b>SG12</b>	C	5	1	<b>TOD-LOC</b>
	0600	31 <b>TOD</b>	M	1	1	<b>Terms of delivery or transport</b>

Standard			Implementation	
Tag	Name	St Format	St Format	Usage / Remark
TOD				
4055	Terms of delivery or transport function, coded	C an..3	C an..3	<b>6 Delivery condition</b>
C100	Terms of delivery or transport	C	C	
4053	Delivery or transport terms description code	C an..3	C an..3	Use Incoterms codes
4052	Delivery or transport terms description	C an..70	C an..70	May be used to give further information to DE 4053.

**Remark:**

**Example:**

TOD+6++EXW:::Pick up by customer ex works'

No = Consecutive segment number  
 MaxOcc = Maximum occurrence of the segment/group  
 Counter = Counter of segment/group within the standard

St = Status  
 EDIFACT: M=Mandatory, C=Conditional  
 User specific: R=Required, O=Optional, D=Dependent,  
 A=Advised, N=Not used

## Segments

Counter	No	Tag	St	MaxOcc	Level	Name
	0590	<b>SG12</b>	C	5	1	<b>TOD-LOC</b>
	0610	32	<b>LOC</b>	C	2	<b>Place/location identification</b>

Standard			Implementation	
Tag	Name	St Format	St Format	Usage / Remark
LOC				
3227	Location function code qualifier	M an..3	M an..3	<b>1 Place of terms of delivery</b>
C517	Location identification	C	C	
3224	Location name	C an..256	C an..256	

**Remark:**

**Example:**

LOC+1+:::Dodge City'

No = Consecutive segment number  
 MaxOcc = Maximum occurrence of the segment/group  
 Counter = Counter of segment/group within the standard

St = Status  
 EDIFACT: M=Mandatory, C=Conditional  
 User specific: R=Required, O=Optional, D=Dependent,  
 A=Advised, N=Not used

## Segments

Counter	No	Tag	St	MaxOcc	Level	Name
1090		<b>SG26</b>	C	9999999	1	LIN-PIA-IMD-QTY-ALI-FTX-SG27-SG29-SG30-SG34-SG35-SG39
1100	33	<b>LIN</b>	M	1	1	Line item

Standard			Implementation	
Tag	Name	St Format	St Format	Usage / Remark
LIN				
1082	Line item number	C an..6	C an..6	
C212	Item number identification	C	C	
7140	Item number	C an..35	C an..35	
7143	Item type identification code	C an..3	C an..3	<b>SA Supplier's article number</b>

**Remark:**

**Example:**

LIN+1++41281410310:SA'

No = Consecutive segment number  
 MaxOcc = Maximum occurrence of the segment/group  
 Counter = Counter of segment/group within the standard

St = Status  
 EDIFACT: M=Mandatory, C=Conditional  
 User specific: R=Required, O=Optional, D=Dependent,  
 A=Advised, N=Not used

## Segments

Counter	No	Tag	St	MaxOcc	Level	Name	
	1090	<b>SG26</b>	C	9999999	1	LIN-PIA-IMD-QTY-ALI-FTX-SG27-SG29-SG30-SG34-SG35-SG39	
	1110	34	<b>PIA</b>	C	25	2	Additional product id

Standard			Implementation	
Tag	Name	St Format	St Format	Usage / Remark
PIA				
4347	Product id. function qualifier	M an..3	M an..3	<b>1 Additional identification</b>
C212	Item number identification	M	M	
7140	Item number	C an..35	C an..35	
7143	Item type identification code	C an..3	C an..3	<b>BP Buyer's part number</b>

**Remark:**

**Example:**

PIA+1+1256854923489:BP'

No = Consecutive segment number  
 MaxOcc = Maximum occurrence of the segment/group  
 Counter = Counter of segment/group within the standard

St = Status  
 EDIFACT: M=Mandatory, C=Conditional  
 User specific: R=Required, O=Optional, D=Dependent,  
 A=Advised, N=Not used



## Segments

Counter	No	Tag	St	MaxOcc	Level	Name	
	1090	<b>SG26</b>	C	9999999	1	LIN-PIA-IMD-QTY-ALI-FTX-SG27-SG29-SG30-SG34-SG35-SG39	
	1120	35	<b>IMD</b>	C	99	2	Item description

Standard			Implementation	
Tag	Name	St Format	St Format	Usage / Remark
IMD				
7077	Item description type, coded	C an..3	C an..3	<b>F Free-form</b>
C272	Item characteristic	C	C	
7081	Item characteristic code	C an..3	C an..3	<b>27 Material description</b>
C273	Item description	C	C	
3055	Code list responsible agency code	C an..3	C an..3	<b>91 Assigned by seller or seller's agent</b>
7008	Item description	C an..256	C an..256	

**Remark:**

**Example:**

IMD+F+27+:::91:Air filter'

No = Consecutive segment number  
 MaxOcc = Maximum occurrence of the segment/group  
 Counter = Counter of segment/group within the standard

St = Status  
 EDIFACT: M=Mandatory, C=Conditional  
 User specific: R=Required, O=Optional, D=Dependent,  
 A=Advised, N=Not used

## Segments

Counter	No	Tag	St	MaxOcc	Level	Name
1090		<b>SG26</b>	C	9999999	1	LIN-PIA-IMD-QTY-ALI-FTX-SG27-SG29-SG30-SG34-SG35-SG39
1140	36	<b>QTY</b>	C	5	2	Quantity

Standard			Implementation	
Tag	Name	St Format	St Format	Usage / Remark
QTY				
C186	Quantity details	M	M	
6063	Quantity type code qualifier	M an..3	M an..3	<b>47 Invoiced quantity</b> <b>21 Ordered quantity</b> <b>12 Despatch quantity</b>
6060	Quantity	M an..35	M an..35	
6411	Measurement unit code	C an..3	C an..3	<b>EA each</b>

**Remark:**

**Example:**

QTY+47:12:EA'

No = Consecutive segment number  
 MaxOcc = Maximum occurrence of the segment/group  
 Counter = Counter of segment/group within the standard

St = Status  
 EDIFACT: M=Mandatory, C=Conditional  
 User specific: R=Required, O=Optional, D=Dependent,  
 A=Advised, N=Not used

## Segments

Counter	No	Tag	St	MaxOcc	Level	Name
1090		<b>SG26</b>	C	9999999	1	LIN-PIA-IMD-QTY-ALI-FTX-SG27-SG29-SG30-SG34-SG35-SG39
1160	37	<b>ALI</b>	C	5	2	Additional information

Standard			Implementation	
Tag	Name	St Format	St Format	Usage / Remark
ALI				
3239	Country of origin, coded	C an..3	C an..3	See list of country codes at the end of this document (ISO 3166).

**Remark:**

**Example:**

ALI+DE'

No = Consecutive segment number  
 MaxOcc = Maximum occurrence of the segment/group  
 Counter = Counter of segment/group within the standard

St = Status  
 EDIFACT: M=Mandatory, C=Conditional  
 User specific: R=Required, O=Optional, D=Dependent,  
 A=Advised, N=Not used

## Segments

Counter	No	Tag	St	MaxOcc	Level	Name
1090		<b>SG26</b>	C	9999999	1	LIN-PIA-IMD-QTY-ALI-FTX-SG27-SG29-SG30-SG34-SG35-SG39
1220	38	<b>FTX</b>	C	99	2	Free text

Standard			Implementation	
Tag	Name	St Format	St Format	Usage / Remark
FTX				
4451	Text subject code qualifier	M an..3	M an..3	<b>AAI General information</b>
C108	Text literal	C	C	
4440	Free text value	M an..512	M an..512	

**Remark:**

**Example:**

FTX+AAI+++This is a very special price for you. This is a free text.'

No = Consecutive segment number  
 MaxOcc = Maximum occurrence of the segment/group  
 Counter = Counter of segment/group within the standard

St = Status  
 EDIFACT: M=Mandatory, C=Conditional  
 User specific: R=Required, O=Optional, D=Dependent,  
 A=Advised, N=Not used

## Segments

Counter	No	Tag	St	MaxOcc	Level	Name
	1240	<b>SG27</b>	C	99	2	<b>MOA-CUX 203</b>
	1250	<b>MOA</b>	M	1	2	<b>Monetary amount</b>

Standard			Implementation	
Tag	Name	St Format	St Format	Usage / Remark
MOA				
C516	Monetary amount	M	M	
5025	Monetary amount type code qualifier	M an..3	M an..3	<b>128 Total amount</b> <b>203 Line item amount</b>
5004	Monetary amount value	C n..35	C n..35	

**Remark:**

This segment carries information about the value of the line item. This is the price of PRI in SG 29 multiplied with the quantity of QTY from SG 26.

Code 128 describes the base price (list price) that does not consider any allowances or charges. This is the gros value.

Code 203 derives from the value of code 128 plus the charges minus the allowances. This is the net value.

If there is no difference between gros and net value code 128 can be omitted. Code 203 is mandatory.

If the values are not the same both codes have to be given. The difference is to be explained using SG39.

All values of code 128 and 203 exclude VAT.

VAT has to be stated using SG34.

**Example:**

MOA+203:48.00'

No = Consecutive segment number  
MaxOcc = Maximum occurrence of the segment/group  
Counter = Counter of segment/group within the standard

St = Status  
EDIFACT: M=Mandatory, C=Conditional  
User specific: R=Required, O=Optional, D=Dependent,  
A=Advised, N=Not used

## Segments

Counter	No	Tag	St	MaxOcc	Level	Name
	1240	<b>SG27</b>	C	99	2	<b>MOA-CUX 128</b>
	1250	<b>MOA</b>	M	1	2	<b>Monetary amount</b>

Standard			Implementation	
Tag	Name	St Format	St Format	Usage / Remark
MOA				
C516	Monetary amount	M	M	
5025	Monetary amount type code qualifier	M an..3	M an..3	<b>128 Total amount</b> <b>203 Line item amount</b>
5004	Monetary amount value	C n..35	C n..35	

**Remark:**

This segment carries information about the value of the line item. This is the price of PRI in SG 29 multiplied with the quantity of QTY from SG 26.

Code 128 describes the base price (list price) that does not consider any allowances or charges. This is the gros value.

Code 203 derives from the value of code 128 plus the charges minus the allowances. This is the net value.

If there is no difference between gros and net value code 128 can be omitted. Code 203 is mandatory.

If the values are not the same both codes have to be given. The difference is to be explained using SG39.

All values of code 128 and 203 exclude VAT.

VAT has to be stated using SG34.

**Example:**

MOA+128:60.00'

No = Consecutive segment number  
MaxOcc = Maximum occurrence of the segment/group  
Counter = Counter of segment/group within the standard

St = Status  
EDIFACT: M=Mandatory, C=Conditional  
User specific: R=Required, O=Optional, D=Dependent,  
A=Advised, N=Not used

## Segments

Counter	No	Tag	St	MaxOcc	Level	Name
	1320	<b>SG29</b>	C	25	2	<b>PRI-CUX-APR-RNG-DTM AAA</b>
	1330	41	<b>PRI</b>	M	1	2 <b>Price details</b>

Standard			Implementation	
Tag	Name	St Format	St Format	Usage / Remark
PRI				
C509	Price information	C	C	<b>AAA Calculation net</b> <b>AAB Calculation gross</b> All values exclude VAT. Code AAA corresponds with code 203 of MOA in SG 27. Code AAB corresponds with code 128 of MOA in SG 27.
5125	Price qualifier	M an..3	M an..3	
5118	Price	C n..15	C n..15	<b>PU Specified unit</b> The price given in DE 5118 refers to the unit price basis that has to be given in DE 5284. Typical values here are 1, 10, 100, 1000 etc.
5375	Price type, coded	C an..3	C an..3	
5284	Unit price basis	C n..9	R n..9	
6411	Measurement unit code	C an..3	C an..3	<b>EA each</b>

**Remark:**

**Example:**

PRI+AAA:4.00:PU::1:EA'

No = Consecutive segment number  
 MaxOcc = Maximum occurrence of the segment/group  
 Counter = Counter of segment/group within the standard

St = Status  
 EDIFACT: M=Mandatory, C=Conditional  
 User specific: R=Required, O=Optional, D=Dependent,  
 A=Advised, N=Not used

## Segments

Counter	No	Tag	St	MaxOcc	Level	Name
	1320	<b>SG29</b>	C	25	2	<b>PRI-CUX-APR-RNG-DTM AAB</b>
	1330	42	<b>PRI</b>	M	1	2 <b>Price details</b>

Standard			Implementation	
Tag	Name	St Format	St Format	Usage / Remark
PRI				
C509	Price information	C	C	<b>AAA Calculation net</b> <b>AAB Calculation gross</b> All values exclude VAT. Code AAA corresponds with code 203 of MOA in SG 27. Code AAB corresponds with code 128 of MOA in SG 27.
5125	Price qualifier	M an..3	M an..3	
5118	Price	C n..15	C n..15	<b>PU Specified unit</b> The price given in DE 5118 refers to the unit price basis that has to be given in DE 5284. Typical values here are 1, 10, 100, 1000 etc.
5375	Price type, coded	C an..3	C an..3	
5284	Unit price basis	C n..9	R n..9	
6411	Measurement unit code	C an..3	C an..3	<b>EA each</b>

**Remark:**

**Example:**

PRI+AAB:5.00:PU::1:EA'

No = Consecutive segment number  
 MaxOcc = Maximum occurrence of the segment/group  
 Counter = Counter of segment/group within the standard

St = Status  
 EDIFACT: M=Mandatory, C=Conditional  
 User specific: R=Required, O=Optional, D=Dependent,  
 A=Advised, N=Not used



## Segments

Counter	No	Tag	St	MaxOcc	Level	Name
1380		<b>SG30</b>	C	10	2	<b>RFF-DTM</b>
References given in this segment group refer to the individual line item. If they refer to the whole document they are to be given in SG 1.						
1390	43	<b>RFF</b>	M	1	2	<b>Reference</b>

		Standard	Implementation	
Tag	Name	St Format	St Format	Usage / Remark
RFF				
C506	Reference	M	M	
1153	Reference function code qualifier	M an..3	M an..3	<b>DQ Delivery note number</b> <b>ON Order number (purchase)</b> <b>VN Order number (vendor)</b> <b>OI Previous invoice number</b>
1154	Reference identifier	C an..35	C an..35	
1156	Line number	C an..6	C an..6	

**Remark:**

**Example:**

RFF+DQ:1234789:00002'

No = Consecutive segment number  
MaxOcc = Maximum occurrence of the segment/group  
Counter = Counter of segment/group within the standard

St = Status  
EDIFACT: M=Mandatory, C=Conditional  
User specific: R=Required, O=Optional, D=Dependent,  
A=Advised, N=Not used

## Segments

Counter	No	Tag	St	MaxOcc	Level	Name
1380		<b>SG30</b>	C	10	2	<b>RFF-DTM</b>
References given in this segment group refer to the individual line item. If they refer to the whole document they are to be given in SG 1.						
1400	44	<b>DTM</b>	C	5	3	<b>Date/time/period</b>

Standard			Implementation	
Tag	Name	St Format	St Format	Usage / Remark
DTM				
C507	Date/time/period	M	M	
2005	Date/time/period function code qualifier	M an..3	M an..3	<b>137 Document/message date/time</b> <b>10 Shipment date/time, requested</b> If the RFF segment describes the delivery note number (DQ) and the date of the shipment differs from the date of delivery note creation please give additionally the date of shipment using code 10. If code 10 is omitted the invoice receiver assumes that they are identical.
2380	Date/time/period value	C an..35	C an..35	
2379	Date/time/period format code	C an..3	C an..3	<b>102 CCYMMDD</b>

**Remark:**

**Example:**

DTM+137:20060629:102'

No = Consecutive segment number  
 MaxOcc = Maximum occurrence of the segment/group  
 Counter = Counter of segment/group within the standard

St = Status  
 EDIFACT: M=Mandatory, C=Conditional  
 User specific: R=Required, O=Optional, D=Dependent,  
 A=Advised, N=Not used

## Segments

Counter	No	Tag	St	MaxOcc	Level	Name	
	1540	<b>SG34</b>	C	99	2	<b>TAX-MOA</b>	
	1550	45	<b>TAX</b>	M	1	2	<b>Duty/tax/fee details</b>

Standard			Implementation	
Tag	Name	St Format	St Format	Usage / Remark
TAX				
5283	Duty/tax/fee function qualifier	M an..3	M an..3	<b>7 Tax</b>
C241	Duty/tax/fee type	C	C	
5153	Duty/tax/fee type name code	C an..3	C an..3	<b>VAT Value added tax</b>
5286	Duty/tax/fee assessment basis	C an..15	C an..15	
C243	Duty/tax/fee detail	C	C	
5278	Duty/tax/fee rate	C an..17	C an..17	

**Remark:**

**Example:**

TAX+7+VAT++48.00+:::19'

No = Consecutive segment number  
 MaxOcc = Maximum occurrence of the segment/group  
 Counter = Counter of segment/group within the standard

St = Status  
 EDIFACT: M=Mandatory, C=Conditional  
 User specific: R=Required, O=Optional, D=Dependent,  
 A=Advised, N=Not used

## Segments

Counter	No	Tag	St	MaxOcc	Level	Name	
	1540	<b>SG34</b>	C	99	2	<b>TAX-MOA</b>	
	1560	46	<b>MOA</b>	C	2	3	<b>Monetary amount</b>

Standard			Implementation	
Tag	Name	St Format	St Format	Usage / Remark
MOA				
C516	Monetary amount	M	M	
5025	Monetary amount type code qualifier	M an..3	M an..3	<b>1 VAT, 1st value</b>
5004	Monetary amount value	C n..35	C n..35	

**Remark:**

**Example:**

MOA+1:9.12'

No = Consecutive segment number  
 MaxOcc = Maximum occurrence of the segment/group  
 Counter = Counter of segment/group within the standard

St = Status  
 EDIFACT: M=Mandatory, C=Conditional  
 User specific: R=Required, O=Optional, D=Dependent,  
 A=Advised, N=Not used

## Segments

Counter	No	Tag	St	MaxOcc	Level	Name
1580		<b>SG35</b>	C	99	2	<b>NAD-LOC-FII-SG36-SG37-SG38 BY</b>
Name and address information given in this segment group refer to the individual line item. If they refer to the whole document they are to be given in SG 2.						
1590	47	<b>NAD</b>	M	1	2	<b>Name and address</b>

Standard			Implementation	
Tag	Name	St Format	St Format	Usage / Remark
NAD				
3035	Party function code qualifier	M an..3	M an..3	<b>BY Buyer</b>
C082	Party identification details	C	C	<b>91 Assigned by seller or seller's agent</b>
3039	Party identifier	M an..35	M an..35	
3055	Code list responsible agency code	C an..3	C an..3	
C080	Party name	C	C	
3036	Party name	M an..35	M an..35	
C059	Street	C	C	
3042	Street and number/p.o. box	M an..35	M an..35	
3164	City name	C an..35	C an..35	
3251	Postal identification code	C an..17	C an..17	
3207	Country name code	C an..3	C an..3	

**Remark:**

**Example:**

NAD+BY+815007::91++Haig&Mark+Castleview Lane 31+Ebony City++72401+NZ'

No = Consecutive segment number  
 MaxOcc = Maximum occurrence of the segment/group  
 Counter = Counter of segment/group within the standard

St = Status  
 EDIFACT: M=Mandatory, C=Conditional  
 User specific: R=Required, O=Optional, D=Dependent,  
 A=Advised, N=Not used

## Segments

Counter	No	Tag	St	MaxOcc	Level	Name
	1680	<b>SG38</b>	C	5	3	<b>CTA-COM</b>
	1690 48	<b>CTA</b>	M	1	3	<b>Contact information</b>

Standard			Implementation	
Tag	Name	St Format	St Format	Usage / Remark
CTA				
3139	Contact function code	C an..3	C an..3	<b>PD Purchasing contact</b>
C056	Department or employee details	C	C	
3412	Department or employee	C an..35	C an..35	

**Remark:**

**Example:**

CTA+PD+:Thomas Weller'

No = Consecutive segment number  
 MaxOcc = Maximum occurrence of the segment/group  
 Counter = Counter of segment/group within the standard

St = Status  
 EDIFACT: M=Mandatory, C=Conditional  
 User specific: R=Required, O=Optional, D=Dependent,  
 A=Advised, N=Not used

## Segments

Counter	No	Tag	St	MaxOcc	Level	Name
1680		<b>SG38</b>	C	5	3	<b>CTA-COM</b>
1700	49	<b>COM</b>	C	5	4	<b>Communication contact</b>

Standard			Implementation	
Tag	Name	St Format	St Format	Usage / Remark
COM				
C076	Communication contact	M	M	
3148	Communication number	M an..512	M an..512	
3155	Communication number code qualifier	M an..3	M an..3	<b>FX Telefax</b> <b>EM Electronic mail</b> <b>TE Telephone</b>

**Remark:**

**Example:**

COM+07474268614:TE'

No = Consecutive segment number  
 MaxOcc = Maximum occurrence of the segment/group  
 Counter = Counter of segment/group within the standard

St = Status  
 EDIFACT: M=Mandatory, C=Conditional  
 User specific: R=Required, O=Optional, D=Dependent,  
 A=Advised, N=Not used

## Segments

Counter	No	Tag	St	MaxOcc	Level	Name
1580		<b>SG35</b>	C	99	2	<b>NAD-LOC-FII-MOA-SG3-SG4-SG5 DP</b>
Name and address information given in this segment group refer to the individual line item. If they refer to the whole document they are to be given in SG 2.						
1590	50	<b>NAD</b>	M	1	2	<b>Name and address</b>

Standard			Implementation	
Tag	Name	St Format	St Format	Usage / Remark
NAD				
3035	Party function code qualifier	M an..3	M an..3	<b>DP Delivery party</b>
C082	Party identification details	C	C	<b>91 Assigned by seller or seller's agent</b>
3039	Party identifier	M an..35	M an..35	
3055	Code list responsible agency code	C an..3	C an..3	
C080	Party name	C	C	
3036	Party name	M an..35	M an..35	
C059	Street	C	C	
3042	Street and number/p.o. box	M an..35	M an..35	
3164	City name	C an..35	C an..35	
3251	Postal identification code	C an..17	C an..17	
3207	Country name code	C an..3	C an..3	

**Remark:**

**Example:**

NAD+DP+724010815::91++Haig&Mark+Warehouse Road 23+Ebony City++72401+NZ'

No = Consecutive segment number  
 MaxOcc = Maximum occurrence of the segment/group  
 Counter = Counter of segment/group within the standard

St = Status  
 EDIFACT: M=Mandatory, C=Conditional  
 User specific: R=Required, O=Optional, D=Dependent,  
 A=Advised, N=Not used



## Segments

Counter	No	Tag	St	MaxOcc	Level	Name
1680		<b>SG38</b>	C	5	3	<b>CTA-COM</b>
1690	51	<b>CTA</b>	M	1	3	<b>Contact information</b>

Standard			Implementation	
Tag	Name	St Format	St Format	Usage / Remark
CTA				
3139	Contact function code	C an..3	C an..3	<b>GR Goods receiving contact</b>
C056	Department or employee details	C	C	
3412	Department or employee	C an..35	C an..35	

**Remark:**

**Example:**

CTA+GR+:Paul Emany'

No = Consecutive segment number  
 MaxOcc = Maximum occurrence of the segment/group  
 Counter = Counter of segment/group within the standard

St = Status  
 EDIFACT: M=Mandatory, C=Conditional  
 User specific: R=Required, O=Optional, D=Dependent,  
 A=Advised, N=Not used

## Segments

Counter	No	Tag	St	MaxOcc	Level	Name	
	1680	<b>SG38</b>	C	5	3	<b>CTA-COM</b>	
	1700	52	<b>COM</b>	C	5	4	<b>Communication contact</b>

Standard			Implementation	
Tag	Name	St Format	St Format	Usage / Remark
COM				
C076	Communication contact	M	M	
3148	Communication number	M an..512	M an..512	
3155	Communication number code qualifier	M an..3	M an..3	<b>FX Telefax</b> <b>EM Electronic mail</b> <b>TE Telephone</b>

**Remark:**

**Example:**

COM+07474261809:TE'

No = Consecutive segment number  
 MaxOcc = Maximum occurrence of the segment/group  
 Counter = Counter of segment/group within the standard

St = Status  
 EDIFACT: M=Mandatory, C=Conditional  
 User specific: R=Required, O=Optional, D=Dependent,  
 A=Advised, N=Not used

## Segments

Counter	No	Tag	St	MaxOcc	Level	Name
1710		<b>SG39</b>	C	30	2	<b>ALC-SG41-SG42</b>
1720	53	<b>ALC</b>	M	1	2	<b>Allowance or charge</b>

Standard			Implementation	
Tag	Name	St Format	St Format	Usage / Remark
ALC				
5463	Allowance or charge qualifier	M an..3	M an..3	<b>H Line item allowance</b> <b>M Line item charge</b>
C214	Special services identification	C	C	
7161	Special service description code	C an..3	C an..3	<b>IN Insurance</b> <b>DI Discount</b> <b>FC Freight charge</b> <b>PC Packing</b> <b>MAC Minimum order/minimum billing charge</b> <b>ACO Alloy surcharge</b>

**Remark:**

**Example:**

ALC+H++++DI'

No = Consecutive segment number  
MaxOcc = Maximum occurrence of the segment/group  
Counter = Counter of segment/group within the standard

St = Status  
EDIFACT: M=Mandatory, C=Conditional  
User specific: R=Required, O=Optional, D=Dependent,  
A=Advised, N=Not used

## Segments

Counter	No	Tag	St	MaxOcc	Level	Name	
	1790	<b>SG41</b>	C	1	3	<b>PCD</b>	
	1800	54	<b>PCD</b>	M	1	3	<b>Percentage details</b>

Standard			Implementation	
Tag	Name	St Format	St Format	Usage / Remark
PCD				
C501	Percentage details	M	M	
5245	Percentage type code qualifier	M an..3	M an..3	<b>1 Allowance</b>
5482	Percentage	C n..10	C n..10	<b>2 Charge</b>

**Remark:**

**Example:**

PCD+1:20.00'

No = Consecutive segment number  
 MaxOcc = Maximum occurrence of the segment/group  
 Counter = Counter of segment/group within the standard

St = Status  
 EDIFACT: M=Mandatory, C=Conditional  
 User specific: R=Required, O=Optional, D=Dependent,  
 A=Advised, N=Not used

## Segments

Counter	No	Tag	St	MaxOcc	Level	Name
1820		<b>SG42</b>	C	2	3	<b>MOA</b>
Segment group 42 holds the allowance or charge values and the corresponding base values. As DE 5463 always refers to the line item ("H") and not the single piece the values in MOA also refer to the line item.						
1830	55	<b>MOA</b>	M	1	3	<b>Monetary amount</b>

		Standard	Implementation	
Tag	Name	St Format	St Format	Usage / Remark
MOA				
C516	Monetary amount	M	M	
5025	Monetary amount type code qualifier	M an..3	M an..3	<b>8 Allowance or charge amount</b>
5004	Monetary amount value	C n..35	C n..35	<b>25 Charge/allowance basis</b>

**Remark:**

**Example:**

MOA+25:60.00'

No = Consecutive segment number  
 MaxOcc = Maximum occurrence of the segment/group  
 Counter = Counter of segment/group within the standard

St = Status  
 EDIFACT: M=Mandatory, C=Conditional  
 User specific: R=Required, O=Optional, D=Dependent,  
 A=Advised, N=Not used

## Segments

Counter	No	Tag	St	MaxOcc	Level	Name
	1820	<b>SG42</b>	C	2	3	<b>MOA</b>
	1830	<b>MOA</b>	M	1	3	<b>Monetary amount</b>

Standard			Implementation	
Tag	Name	St Format	St Format	Usage / Remark
MOA				
C516	Monetary amount	M	M	
5025	Monetary amount type code qualifier	M an..3	M an..3	<b>8 Allowance or charge amount</b>
5004	Monetary amount value	C n..35	C n..35	<b>25 Charge/allowance basis</b>

**Remark:**

**Example:**

MOA+8:12.00!

No = Consecutive segment number  
 MaxOcc = Maximum occurrence of the segment/group  
 Counter = Counter of segment/group within the standard

St = Status  
 EDIFACT: M=Mandatory, C=Conditional  
 User specific: R=Required, O=Optional, D=Dependent,  
 A=Advised, N=Not used

**Segments**

Counter	No	Tag	St	MaxOcc	Level	Name
2160	57	<b>UNS</b>	M	1	0	Section control

Standard			Implementation	
Tag	Name	St Format	St Format	Usage / Remark
UNS				
0081	Section identification	M a1	M a1	<b>S</b> Detail/summary section separation

**Remark:**

**Example:**

UNS+S'

No = Consecutive segment number  
 MaxOcc = Maximum occurrence of the segment/group  
 Counter = Counter of segment/group within the standard

St = Status  
 EDIFACT: M=Mandatory, C=Conditional  
 User specific: R=Required, O=Optional, D=Dependent,  
 A=Advised, N=Not used

## Segments

Counter	No	Tag	St	MaxOcc	Level	Name
2170	58	<b>CNT</b>	C	10	1	Control total

Standard			Implementation	
Tag	Name	St Format	St Format	Usage / Remark
CNT				
C270	Control	M	M	<b>2 Number of line items in message</b>
6069	Control total type code qualifier	M an..3	M an..3	
6066	Control value	M n..18	M n..18	

**Remark:**

**Example:**

CNT+2:1'

No = Consecutive segment number  
 MaxOcc = Maximum occurrence of the segment/group  
 Counter = Counter of segment/group within the standard

St = Status  
 EDIFACT: M=Mandatory, C=Conditional  
 User specific: R=Required, O=Optional, D=Dependent,  
 A=Advised, N=Not used



## Segments

Counter	No	Tag	St	MaxOcc	Level	Name
2180		<b>SG50</b>	M	100	1	<b>MOA</b>
2190	59	<b>MOA</b>	M	1	1	<b>Monetary amount</b>

Standard			Implementation	
Tag	Name	St Format	St Format	Usage / Remark
MOA				
C516	Monetary amount	M	M	
5025	Monetary amount type code qualifier	M an..3	M an..3	<b>39 Invoice total amount</b> <b>389 Amount excluding Value Added Tax (VAT)</b> <b>203 Line item amount</b> MOA+39 is the invoice total including VAT that can be subject to early payment allowance. MOA+389 is the invoice total excluding VAT. MOA+203 is the total of all MOA+203 (SG 27) line items excluding VAT.
5004	Monetary amount value	C n..35	C n..35	

**Remark:**

203 is the sum of all line items (net values).

**Example:**

MOA+39:57.12'

No = Consecutive segment number  
 MaxOcc = Maximum occurrence of the segment/group  
 Counter = Counter of segment/group within the standard

St = Status  
 EDIFACT: M=Mandatory, C=Conditional  
 User specific: R=Required, O=Optional, D=Dependent,  
 A=Advised, N=Not used

**Segments**

Counter	No	Tag	St	MaxOcc	Level	Name
	2230	<b>SG52</b>	C	10	1	<b>TAX-MOA</b>
	2240	<b>TAX</b>	M	1	1	<b>Duty/tax/fee details</b>

Standard			Implementation	
Tag	Name	St Format	St Format	Usage / Remark
TAX				
5283	Duty/tax/fee function qualifier	M an..3	M an..3	<b>7 Tax</b>
C241	Duty/tax/fee type	C	C	
5153	Duty/tax/fee type name code	C an..3	C an..3	<b>VAT Value added tax</b>
C243	Duty/tax/fee detail	C	C	
5278	Duty/tax/fee rate	C an..17	C an..17	

**Remark:**

**Example:**

TAX+7+VAT+++:::19'

No = Consecutive segment number  
 MaxOcc = Maximum occurrence of the segment/group  
 Counter = Counter of segment/group within the standard

St = Status  
 EDIFACT: M=Mandatory, C=Conditional  
 User specific: R=Required, O=Optional, D=Dependent,  
 A=Advised, N=Not used

## Segments

Counter	No	Tag	St	MaxOcc	Level	Name
2230		<b>SG52</b>	C	10	1	<b>TAX-MOA</b>
2250	61	<b>MOA</b>	C	2	2	<b>Monetary amount</b>

Standard			Implementation	
Tag	Name	St Format	St Format	Usage / Remark
MOA				
C516	Monetary amount	M	M	
5025	Monetary amount type code qualifier	M an..3	M an..3	<b>1 VAT, 1st value</b> <b>2 VAT, 2nd value</b>
5004	Monetary amount value	C n..35	C n..35	

**Remark:**

**Example:**

MOA+1:9.12'

No = Consecutive segment number  
 MaxOcc = Maximum occurrence of the segment/group  
 Counter = Counter of segment/group within the standard

St = Status  
 EDIFACT: M=Mandatory, C=Conditional  
 User specific: R=Required, O=Optional, D=Dependent,  
 A=Advised, N=Not used

## Segments

Counter	No	Tag	St	MaxOcc	Level	Name
	2260	<b>SG53</b>	C	15	1	<b>ALC-MOA</b>
	2270	62 <b>ALC</b>	M	1	1	<b>Allowance or charge</b>

Standard			Implementation	
Tag	Name	St Format	St Format	Usage / Remark
ALC				
5463	Allowance or charge qualifier	M an..3	M an..3	<b>H Line item allowance</b> <b>M Line item charge</b> H provides the sum of all line item allowances. M provides the sum of all line item charges.
C214	Special services identification	C	C	
7161	Special service description code	C an..3	C an..3	<b>IN Insurance</b> <b>DI Discount</b> <b>FC Freight charge</b> <b>PC Packing</b> <b>MAC Minimum order/minimum billing charge</b> <b>ACO Alloy surcharge</b>

**Remark:**

**Example:**

ALC+H++++DI'

No = Consecutive segment number  
 MaxOcc = Maximum occurrence of the segment/group  
 Counter = Counter of segment/group within the standard

St = Status  
 EDIFACT: M=Mandatory, C=Conditional  
 User specific: R=Required, O=Optional, D=Dependent,  
 A=Advised, N=Not used

## Segments

Counter	No	Tag	St	MaxOcc	Level	Name
	2260	<b>SG53</b>	C	15	1	<b>ALC-MOA</b>
	2290	<b>MOA</b>	C	2	2	<b>Monetary amount</b>

Standard			Implementation	
Tag	Name	St Format	St Format	Usage / Remark
MOA				
C516	Monetary amount	M	M	
5025	Monetary amount type code qualifier	M an..3	M an..3	<b>8 Allowance or charge amount</b>
5004	Monetary amount value	C n..35	C n..35	

**Remark:**

**Example:**

MOA+8:12.00!

No = Consecutive segment number  
 MaxOcc = Maximum occurrence of the segment/group  
 Counter = Counter of segment/group within the standard

St = Status  
 EDIFACT: M=Mandatory, C=Conditional  
 User specific: R=Required, O=Optional, D=Dependent,  
 A=Advised, N=Not used

## Segments

Counter	No	Tag	St	MaxOcc	Level	Name
2310	64	<b>UNT</b>	M	1	0	Message trailer

Standard			Implementation	
Tag	Name	St Format	St Format	Usage / Remark
UNT				
0074	Number of segments in a message	M n..10	M n..10	
0062	Message reference number	M an..14	M an..14	

**Remark:**

**Example:**

UNT+94+89'

No = Consecutive segment number  
 MaxOcc = Maximum occurrence of the segment/group  
 Counter = Counter of segment/group within the standard

St = Status  
 EDIFACT: M=Mandatory, C=Conditional  
 User specific: R=Required, O=Optional, D=Dependent,  
 A=Advised, N=Not used

## Segments

Counter	No	Tag	St	MaxOcc	Level	Name
0000	65	<b>UNZ</b>	M	1	0	Interchange trailer

Standard			Implementation	
Tag	Name	St Format	St Format	Usage / Remark
UNZ				
0036	Interchange control count	M n..6	M n..6	
0020	Interchange control reference	M an..14	M an..14	

**Remark:**

**Example:**

UNZ+1+83'

No = Consecutive segment number  
 MaxOcc = Maximum occurrence of the segment/group  
 Counter = Counter of segment/group within the standard

St = Status  
 EDIFACT: M=Mandatory, C=Conditional  
 User specific: R=Required, O=Optional, D=Dependent,  
 A=Advised, N=Not used

**INVOIC**  
**Sample message**

Invoice message



No	Tag	Example
01	UNA	UNA:+.?*
02	UNB	UNB+UNOC:4+STIHL_WN:ZZZ+CUSTOMER_ID:ZZZ+20110204:1047+83'
03	UNH	UNH+89+INVOIC:D:99B:UN'
04	BGM	BGM+380:::Commercial invoice+45009864501+9'
05	DTM	DTM+3:20101201:102'
06	DTM	DTM+209:20101201:102'
07	FTX	FTX+AAI+++This is a free text. Please pay our invoice as soon as possible'
	SG1	
08	RFF	RFF+DQ:LS06000070'
09	DTM	DTM+137:20051212:102'
	SG2	
10	NAD	NAD+BY+815007:::91++Haig&Mark+Castleview Lane 31+Ebony City++72401+NZ'
	SG3	
11	RFF	RFF+VA:CN4565F976'
	SG5	
12	CTA	CTA+PD+:Thomas Weller'
13	COM	COM+07474268614:TE'
	SG2	
14	NAD	NAD+DP+724010815:::91++Haig&Mark+Warehouse Road 23+Ebony City++72401+NZ'
	SG3	
15	RFF	RFF+VA:DE2345F976'
	SG5	
16	CTA	CTA+GR+:Paul Emany'
17	COM	COM+07474261809:TE'
	SG2	
18	NAD	NAD+IV+815007:::91++Haig&Mark+Castleview Lane 31+Ebony City++72401+NZ'
	SG3	
19	RFF	RFF+VA:CN4565F976'
	SG5	
20	CTA	CTA+PD+:Thomas Weller'
21	COM	COM+07474268614:TE'
	SG2	
22	NAD	NAD+SU+743334:::92++STIHL LTD.+9 Bishop Browne Place+AUCKLAND++1730+NZ'
	SG3	
23	RFF	RFF+VA:DE2345F976'
	SG5	
24	CTA	CTA+SR+:Dean Bunny'
25	COM	COM+92624123:TE'
	SG7	
26	CUX	CUX+2:NZD:4'
	SG8	
27	PAT	PAT+3++66'
28	DTM	DTM+12:20101211:102'
29	PCD	PCD+12:3'
30	MOA	MOA+52:1.71'

No = Consecutive segment number



**INVOIC**  
**Sample message**

Invoice message



No	Tag	Example
	SG12	
31	TOD	TOD+6++EXW:::Pick up by customer ex works'
32	LOC	LOC+1+:::Dodge City'
	SG26	
33	LIN	LIN+1++41281410310:SA'
34	PIA	PIA+1+1256854923489:BP'
35	IMD	IMD+F+27+:::91:Air filter'
36	QTY	QTY+47:12:EA'
37	ALI	ALI+DE'
38	FTX	FTX+AAI+++This is a very special price for you. This is a free text.'
	SG27	
39	MOA	MOA+203:48.00'
	SG27	
40	MOA	MOA+128:60.00'
	SG29	
41	PRI	PRI+AAA:4.00:PU:::1:EA'
	SG29	
42	PRI	PRI+AAB:5.00:PU:::1:EA'
	SG30	
43	RFF	RFF+DQ:1234789:00002'
44	DTM	DTM+137:20060629:102'
	SG34	
45	TAX	TAX+7+VAT++48.00+:::19'
46	MOA	MOA+1:9.12'
	SG35	
47	NAD	NAD+BY+815007:::91++Haig&Mark+Castleview Lane 31+Ebony City++72401+NZ'
	SG38	
48	CTA	CTA+PD+:Thomas Weller'
49	COM	COM+07474268614:TE'
	SG35	
50	NAD	NAD+DP+724010815:::91++Haig&Mark+Warehouse Road 23+Ebony City++72401+NZ'
	SG38	
51	CTA	CTA+GR+:Paul Emany'
52	COM	COM+07474261809:TE'
	SG39	
53	ALC	ALC+H++++DI'
	SG41	
54	PCD	PCD+1:20.00'
	SG42	
55	MOA	MOA+25:60.00'
	SG42	
56	MOA	MOA+8:12.00'
57	UNS	UNS+S'
58	CNT	CNT+2:1'
	SG50	
59	MOA	MOA+39:57.12'

No = Consecutive segment number

**Sample message**

No	Tag	Example
	SG52	
60	TAX	TAX+7+VAT+++:::19'
61	MOA	MOA+1:9.12'
	SG53	
62	ALC	ALC+H++++DI'
63	MOA	MOA+8:12.00'
64	UNT	UNT+94+89'
65	UNZ	UNZ+1+83'

No = Consecutive segment number

## Permitted Codes of Data elements

List of permitted codes of data elements / code lists

**0001** Syntax identifier

Code	Name/Description
UNOC	UN/ECE level C As defined in ISO 8859-1 : Information processing - Part 1: Latin alphabet No. 1.

**0002** Syntax version number

Code	Name/Description
4	Version 4 ISO 9735:1998.

**0007** Identification code qualifier

Code	Name/Description
ZZZ	Mutually defined Self explanatory.

**0051** Controlling agency, coded

Code	Name/Description
UN	UN/CEFACT United Nations Centre for the Facilitation of procedures and practices for Administration, Commerce and Transport (UN/CEFACT).

**0052** Message version number

Code	Name/Description
D	Draft version/UN/EDIFACT Directory Message approved and issued as a draft message (Valid for directories published after March 1993 and prior to March 1997). Message approved as a standard message (Valid for directories published after March 1997).

**0054** Message release number

Code	Name/Description
98B	Release 1998 - B Message approved and issued in the second 1998 release of the UNTDID (United Nations Trade Data Interchange Directory).

**0065** Message type

Code	Name/Description
<b>INVOIC</b>	Invoice message A code to identify the invoice message.

**0081** Section identification

Code	Name/Description
<b>S</b>	Detail/summary section separation To qualify the segment UNS, when separating the detail from the summary section of a message.

**1000** Document name

Code	Name/Description
<b>Commercial invoice</b>	
<b>Credit note</b>	

**1001** Document name code

Code	Name/Description
<b>380</b>	Commercial invoice Document/message claiming payment for goods or services supplied under conditions agreed between seller and buyer.
<b>381</b>	Credit note Document/message for providing credit information to the relevant party.

**1153** Reference function code qualifier

Code	Name/Description
<b>DQ</b>	Delivery note number Reference number assigned by the issuer to a delivery note.
<b>OI</b>	Previous invoice number Reference number identifying a previously issued invoice.
<b>ON</b>	Order number (purchase) [1022] Reference number assigned by the buyer to an order.
<b>VA</b>	VAT registration number Unique number assigned by the relevant tax authority to identify a party for use in relation to Value Added Tax (VAT).
<b>VN</b>	Order number (vendor) Reference number assigned by supplier to a buyer's purchase order.

**1225** Message function code

Code	Name/Description
1	Cancellation Message cancelling a previous transmission for a given transaction.
9	Original Initial transmission related to a given transaction.
<b>2005</b>	Date/time/period function code qualifier

Code	Name/Description
3	Invoice date/time [2376] Date when a Commercial Invoice is issued.
10	Shipment date/time, requested Date on which goods should be shipped or despatched by the supplier.
12	Terms discount due date/time Date by which payment should be made if discount terms are to apply.
13	Terms net due date Date by which payment must be made.
137	Document/message date/time (2006) Date/time when a document/message is issued. This may include authentication.
209	Value date Date on which the funds are at the disposal of the beneficiary or cease to be at the disposal of the ordering customer.

**2379** Date/time/period format code

Code	Name/Description
102	CCYYMMDD Calendar date: C = Century ; Y = Year ; M = Month ; D = Day.
804	Day To indicate a quantity of days.

**2475** Time reference code

Code	Name/Description
66	Specified date Date specified elsewhere.

**3035** Party function code qualifier

Code	Name/Description
BY	Buyer (3002) Party to which merchandise is sold.
DP	Delivery party (3144) Party to which goods should be delivered, if not identical with consignee.

**IV** Invoicee  
(3006) Party to whom an invoice is issued.

**SU** Supplier  
(3280) Party which manufactures or otherwise has possession of goods, and consigns or makes them available in trade.

**3055** Code list responsible agency code

Code	Name/Description
91	Assigned by seller or seller's agent Self explanatory.
92	Assigned by buyer or buyer's agent Self explanatory.

**3139** Contact function code

Code	Name/Description
GR	Goods receiving contact Department/person responsible for receiving the goods at the place of delivery.
PD	Purchasing contact Department/person responsible for issuing this purchase order.
SR	Sales representative or department The sales representative or department contact within an organization.

**3155** Communication number code qualifier

Code	Name/Description
EM	Electronic mail Exchange of mail by electronic means.
FX	Telefax Device used for transmitting and reproducing fixed graphic material (as printing) by means of signals over telephone lines or other electronic transmission media.
TE	Telephone Voice/data transmission by telephone.

**3207** Country name code

Code	Name/Description
AD	ANDORRA
AE	UNITED ARAB EMIRATES
AF	AFGHANISTAN
AG	ANTIGUA AND BARBUDA
AI	ANGUILLA

<b>AL</b>	ALBANIA
<b>AM</b>	ARMENIA
<b>AN</b>	NETHERLANDS ANTILES
<b>AO</b>	ANGOLA
<b>AQ</b>	ANTARCTICA
<b>AR</b>	ARGENTINA
<b>AS</b>	AMERICAN SAMOA
<b>AT</b>	AUSTRIA
<b>AU</b>	AUSTRALIA
<b>AW</b>	ARUBA
<b>AZ</b>	AZERBAIJAN
<b>BA</b>	BOSNIA AND HERZEGOVINA
<b>BB</b>	BARBADOS
<b>BD</b>	BANGLADESH
<b>BE</b>	BELGIUM
<b>BF</b>	BURKINA FASO
<b>BG</b>	BULGARIA
<b>BH</b>	BAHRAIN
<b>BI</b>	BURUNDI
<b>BJ</b>	BENIN
<b>BM</b>	BERMUDA
<b>BN</b>	BRUNEI DARUSSALAM
<b>BO</b>	BOLIVIA
<b>BR</b>	BRAZIL
<b>BS</b>	BAHAMAS
<b>BT</b>	BHUTAN
<b>BV</b>	BOUVET ISLAND
<b>BW</b>	BOTSWANA
<b>BY</b>	BELARUS
<b>BZ</b>	BELIZE
<b>CA</b>	CANADA
<b>CC</b>	COCOS (KEELING) ISLANDS
<b>CF</b>	CENTRAL AFRICAN REPUBLIC
<b>CG</b>	CONGO

CH	SWITZERLAND
CI	COTE D'IVOIRE
CK	COOK ISLANDS
CL	CHILE
CM	CAMEROON
CN	CHINA
CO	COLOMBIA
CR	COSTA RICA
CU	CUBA
CV	CAPE VERDE
CX	CHRISTMAS ISLAND
CY	CYPRUS
CZ	CZECH REPUBLIC
DE	GERMANY
DJ	DJIBOUTI
DK	DENMARK
DM	DOMINICA
DO	DOMINICAN REPUBLIC
DZ	ALGERIA
EC	ECUADOR
EE	ESTONIA
EG	EGYPT
EH	WESTERN SAHARA
ER	ERITREA
ES	SPAIN
ET	ETHIOPIA
FI	FINLAND
FJ	FIJI
FK	FALKLAND ISLANDS (MALVINAS)
FM	MICRONESIA (FEDERATED STATES OF)
FO	FAROE ISLANDS
FR	FRANCE
FX	FRANCE, METROPOLITAN
GA	GABON





GB	UNITED KINGDOM
GD	GRENADA
GE	GEORGIA
GF	FRENCH GUIANA
GH	GHANA
GI	GIBRALTAR
GL	GREENLAND
GM	GAMBIA
GN	GUINEA
GP	GADELOUPE
GQ	EQUATORIAL GUINEA
GR	GREECE
GS	SOUTH GEORGIA AND THE SOUTH SANDWICH ISLANDS
GT	GUATEMALA
GU	GUAM
GW	GUINEA-BISSAU
GY	GUYANA
HK	HONG KONG
HM	HEARD AND MC DONALD ISLANDS
HN	HONDURAS
HR	CROATIA
HT	HAITI
HU	HUNGARY
ID	INDONESIA
IE	IRELAND
IL	ISRAEL
IN	INDIA
IO	BRITISH INDIAN OCEAN TERRITORY
IQ	IRAQ
IR	IRAN (ISLAMIC REPUBLIC OF)
IS	ICELAND
IT	ITALY
JM	JAMAICA
JO	JORDAN

JP	JAPAN
KE	KENYA
KG	KYRGYZSTAN
KH	CAMBODIA
KI	KIRIBATI
KM	COMOROS
KN	SAINT KITTS AND NEVIS
KP	KOREA, DEMOCRATIC PEOPLE'S REPUBLIC OF
KR	KOREA, REPUBLIC OF
KW	KUWAIT
KY	CAYMAN ISLANDS
KZ	KAZAKHSTAN
LA	LAO PEOPLE'S DEMOCRATIC REPUBLIC
LB	LEBANON
LC	SAINT LUCIA
LI	LIECHTENSTEIN
LK	SRI LANKA
LR	LIBERIA
LS	LESOTHO
LT	LITHUANIA
LU	LUXEMBOURG
LV	LATVIA
LY	LIBYAN ARAB JAMAHIRIYA
MA	MOROCCO
MC	MONACO
MD	MOLDOVA
MG	MADAGASCAR
MH	MARSHALL ISLANDS
MK	MACEDONIA, THE FORMER YUGOSLAV REPUBLIC OF
ML	MALI
MM	MYANMAR
MN	MONGOLIA
MO	MACAU
MP	NORTHERN MARIANA ISLANDS

<b>MQ</b>	MARTINIQUE
<b>MR</b>	MAURITANIA
<b>MS</b>	MONTSERRAT
<b>MT</b>	MALTA
<b>MU</b>	MAURITIUS
<b>MV</b>	MALDIVES
<b>MW</b>	MALAWI
<b>MX</b>	MEXICO
<b>MY</b>	MALAYSIA
<b>MZ</b>	MOZAMBIQUE
<b>NA</b>	NAMIBIA
<b>NC</b>	NEW CALEDONIA
<b>NE</b>	NIGER
<b>NF</b>	NORFOLK ISLAND
<b>NG</b>	NIGERIA
<b>NI</b>	NICARAGUA
<b>NL</b>	NETHERLANDS
<b>NO</b>	NORWAY
<b>NP</b>	NEPAL
<b>NR</b>	NAURU
<b>NU</b>	NIUE
<b>NZ</b>	NEW ZEALAND
<b>OM</b>	OMAN
<b>PA</b>	PANAMA
<b>PE</b>	PERU
<b>PF</b>	FRENCH POLYNESIA
<b>PG</b>	PAPUA NEW GUINEA
<b>PH</b>	PHILIPPINES
<b>PK</b>	PAKISTAN
<b>PL</b>	POLAND
<b>PM</b>	ST. PIERRE AND MIQUELON
<b>PN</b>	PITCAIRN
<b>PR</b>	PUERTO RICO
<b>PT</b>	PORTUGAL

<b>PW</b>	PALAU
<b>PY</b>	PARAGUAY
<b>QA</b>	QATAR
<b>RE</b>	REUNION
<b>RO</b>	ROMANIA
<b>RU</b>	RUSSIA
<b>RW</b>	RWANDA
<b>SA</b>	SAUDI ARABIA
<b>SB</b>	SOLOMON ISLANDS
<b>SC</b>	SEYCHELLES
<b>SD</b>	SUDAN
<b>SE</b>	SWEDEN
<b>SG</b>	SINGAPORE
<b>SH</b>	ST. HELENA
<b>SI</b>	SLOVENIA
<b>SJ</b>	SVALBARD AND JAN MAYEN ISLANDS
<b>SK</b>	SLOVAKIA (SLOVAK REPUBLIC)
<b>SL</b>	SIERRA LEONE
<b>SM</b>	SAN MARINO
<b>SN</b>	SENEGAL
<b>SO</b>	SOMALIA
<b>SR</b>	SURINAME
<b>ST</b>	SAO TOME AND PRINCIPE
<b>SV</b>	EL SALVADOR
<b>SY</b>	SYRIAN ARAB REPUBLIC
<b>SZ</b>	SWAZILAND
<b>TC</b>	TURKS AND CAICOS ISLANDS
<b>TD</b>	CHAD
<b>TF</b>	FRENCH SOUTHERN TERRITORIES
<b>TG</b>	TOGO
<b>TH</b>	THAILAND
<b>TJ</b>	TAJIKISTAN
<b>TK</b>	TOKELAU
<b>TM</b>	TURKMENISTAN

TN	TUNISIA
TO	TONGA
TP	EAST TIMOR
TR	TURKEY
TT	TRINIDAD AND TOBAGO
TV	TUVALU
TW	TAIWAN, PROVINCE OF CHINA
TZ	TANZANIA, UNITED REPUBLIC OF
UA	UKRAINE
UG	UGANDA
UM	UNITED STATES MINOR OUTLYING ISLANDS
US	UNITED STATES
UY	URUGUAY
UZ	UZBEKISTAN
VA	VATICAN CITY STATE (HOLY SEE)
VC	SAINT VINCENT AND THE GRENADINES
VE	VENEZUELA
VG	VIRGIN ISLANDS (BRITISH)
VI	VIRGIN ISLANDS (U.S.)
VN	VIET NAM
VU	VANUATU
WF	WALLIS AND FUTUNA ISLANDS
WS	SAMOA
YE	YEMEN
YT	MAYOTTE
YU	YUGOSLAVIA
ZA	SOUTH AFRICA
ZM	ZAMBIA
ZR	ZAIRE
ZW	ZIMBABWE

**3227** Location function code qualifier

Code	Name/Description
1	Place of terms of delivery

(3018) Point or port of departure, shipment or destination, as required under the applicable terms of delivery, e.g. Incoterms.

**3239** Country of origin, coded

Code	Name/Description
AD	ANDORRA
AE	UNITED ARAB EMIRATES
AF	AFGHANISTAN
AG	ANTIGUA AND BARBUDA
AI	ANGUILLA
AL	ALBANIA
AM	ARMENIA
AN	NETHERLANDS ANTILES
AO	ANGOLA
AQ	ANTARCTICA
AR	ARGENTINA
AS	AMERICAN SAMOA
AT	AUSTRIA
AU	AUSTRALIA
AW	ARUBA
AZ	AZERBAIJAN
BA	BOSNIA AND HERZEGOVINA
BB	BARBADOS
BD	BANGLADESH
BE	BELGIUM
BF	BURKINA FASO
BG	BULGARIA
BH	BAHRAIN
BI	BURUNDI
BJ	BENIN
BM	BERMUDA
BN	BRUNEI DARUSSALAM
BO	BOLIVIA
BR	BRAZIL
BS	BAHAMAS

<b>BT</b>	BHUTAN
<b>BV</b>	BOUVET ISLAND
<b>BW</b>	BOTSWANA
<b>BY</b>	BELARUS
<b>BZ</b>	BELIZE
<b>CA</b>	CANADA
<b>CC</b>	COCOS (KEELING) ISLANDS
<b>CF</b>	CENTRAL AFRICAN REPUBLIC
<b>CG</b>	CONGO
<b>CH</b>	SWITZERLAND
<b>CI</b>	COTE D'IVOIRE
<b>CK</b>	COOK ISLANDS
<b>CL</b>	CHILE
<b>CM</b>	CAMEROON
<b>CN</b>	CHINA
<b>CO</b>	COLOMBIA
<b>CR</b>	COSTA RICA
<b>CU</b>	CUBA
<b>CV</b>	CAPE VERDE
<b>CX</b>	CHRISTMAS ISLAND
<b>CY</b>	CYPRUS
<b>CZ</b>	CZECH REPUBLIC
<b>DE</b>	GERMANY
<b>DJ</b>	DJIBOUTI
<b>DK</b>	DENMARK
<b>DM</b>	DOMINICA
<b>DO</b>	DOMINICAN REPUBLIC
<b>DZ</b>	ALGERIA
<b>EC</b>	ECUADOR
<b>EE</b>	ESTONIA
<b>EG</b>	EGYPT
<b>EH</b>	WESTERN SAHARA
<b>ER</b>	ERITREA
<b>ES</b>	SPAIN

ET	ETHIOPIA
FI	FINLAND
FJ	FIJI
FK	FALKLAND ISLANDS (MALVINAS)
FM	MICRONESIA (FEDERATED STATES OF)
FO	FAROE ISLANDS
FR	FRANCE
FX	FRANCE, METROPOLITAN
GA	GABON
GB	UNITED KINGDOM
GD	GRENADA
GE	GEORGIA
GF	FRENCH GUIANA
GH	GHANA
GI	GIBRALTAR
GL	GREENLAND
GM	GAMBIA
GN	GUINEA
GP	GUADELOUPE
GQ	EQUATORIAL GUINEA
GR	GREECE
GS	SOUTH GEORGIA AND THE SOUTH SANDWICH ISLANDS
GT	GUATEMALA
GU	GUAM
GW	GUINEA-BISSAU
GY	GUYANA
HK	HONG KONG
HM	HEARD AND MC DONALD ISLANDS
HN	HONDURAS
HR	CROATIA
HT	HAITI
HU	HUNGARY
ID	INDONESIA
IE	IRELAND





<b>IL</b>	ISRAEL
<b>IN</b>	INDIA
<b>IO</b>	BRITISH INDIAN OCEAN TERRITORY
<b>IQ</b>	IRAQ
<b>IR</b>	IRAN (ISLAMIC REPUBLIC OF)
<b>IS</b>	ICELAND
<b>IT</b>	ITALY
<b>JM</b>	JAMAICA
<b>JO</b>	JORDAN
<b>JP</b>	JAPAN
<b>KE</b>	KENYA
<b>KG</b>	KYRGYZSTAN
<b>KH</b>	CAMBODIA
<b>KI</b>	KIRIBATI
<b>KM</b>	COMOROS
<b>KN</b>	SAINT KITTS AND NEVIS
<b>KP</b>	KOREA, DEMOCRATIC PEOPLE'S REPUBLIC OF
<b>KR</b>	KOREA, REPUBLIC OF
<b>KW</b>	KUWAIT
<b>KY</b>	CAYMAN ISLANDS
<b>KZ</b>	KAZAKHSTAN
<b>LA</b>	LAO PEOPLE'S DEMOCRATIC REPUBLIC
<b>LB</b>	LEBANON
<b>LC</b>	SAINT LUCIA
<b>LI</b>	LIECHTENSTEIN
<b>LK</b>	SRI LANKA
<b>LR</b>	LIBERIA
<b>LS</b>	LESOTHO
<b>LT</b>	LITHUANIA
<b>LU</b>	LUXEMBOURG
<b>LV</b>	LATVIA
<b>LY</b>	LIBYAN ARAB JAMAHIRIYA
<b>MA</b>	MOROCCO
<b>MC</b>	MONACO

<b>MD</b>	MOLDOVA
<b>MG</b>	MADAGASCAR
<b>MH</b>	MARSHALL ISLANDS
<b>MK</b>	MACEDONIA, THE FORMER YUGOSLAV REPUBLIC OF
<b>ML</b>	MALI
<b>MM</b>	MYANMAR
<b>MN</b>	MONGOLIA
<b>MO</b>	MACAU
<b>MP</b>	NORTHERN MARIANA ISLANDS
<b>MQ</b>	MARTINIQUE
<b>MR</b>	MAURITANIA
<b>MS</b>	MONTSERRAT
<b>MT</b>	MALTA
<b>MU</b>	MAURITIUS
<b>MV</b>	MALDIVES
<b>MW</b>	MALAWI
<b>MX</b>	MEXICO
<b>MY</b>	MALAYSIA
<b>MZ</b>	MOZAMBIQUE
<b>NA</b>	NAMIBIA
<b>NC</b>	NEW CALEDONIA
<b>NE</b>	NIGER
<b>NF</b>	NORFOLK ISLAND
<b>NG</b>	NIGERIA
<b>NI</b>	NICARAGUA
<b>NL</b>	NETHERLANDS
<b>NO</b>	NORWAY
<b>NP</b>	NEPAL
<b>NR</b>	NAURU
<b>NU</b>	NIUE
<b>NZ</b>	NEW ZEALAND
<b>OM</b>	OMAN
<b>PA</b>	PANAMA
<b>PE</b>	PERU

<b>PF</b>	FRENCH POLYNESIA
<b>PG</b>	PAPUA NEW GUINEA
<b>PH</b>	PHILIPPINES
<b>PK</b>	PAKISTAN
<b>PL</b>	POLAND
<b>PM</b>	ST. PIERRE AND MIQUELON
<b>PN</b>	PITCAIRN
<b>PR</b>	PUERTO RICO
<b>PT</b>	PORTUGAL
<b>PW</b>	PALAU
<b>PY</b>	PARAGUAY
<b>QA</b>	QATAR
<b>RE</b>	REUNION
<b>RO</b>	ROMANIA
<b>RU</b>	RUSSIA
<b>RW</b>	RWANDA
<b>SA</b>	SAUDI ARABIA
<b>SB</b>	SOLOMON ISLANDS
<b>SC</b>	SEYCHELLES
<b>SD</b>	SUDAN
<b>SE</b>	SWEDEN
<b>SG</b>	SINGAPORE
<b>SH</b>	ST. HELENA
<b>SI</b>	SLOVENIA
<b>SJ</b>	SVALBARD AND JAN MAYEN ISLANDS
<b>SK</b>	SLOVAKIA (SLOVAK REPUBLIC)
<b>SL</b>	SIERRA LEONE
<b>SM</b>	SAN MARINO
<b>SN</b>	SENEGAL
<b>SO</b>	SOMALIA
<b>SR</b>	SURINAME
<b>ST</b>	SAO TOME AND PRINCIPE
<b>SV</b>	EL SALVADOR
<b>SY</b>	SYRIAN ARAB REPUBLIC



<b>SZ</b>	SWAZILAND
<b>TC</b>	TURKS AND CAICOS ISLANDS
<b>TD</b>	CHAD
<b>TF</b>	FRENCH SOUTHERN TERRITORIES
<b>TG</b>	TOGO
<b>TH</b>	THAILAND
<b>TJ</b>	TAJIKISTAN
<b>TK</b>	TOKELAU
<b>TM</b>	TURKMENISTAN
<b>TN</b>	TUNISIA
<b>TO</b>	TONGA
<b>TP</b>	EAST TIMOR
<b>TR</b>	TURKEY
<b>TT</b>	TRINIDAD AND TOBAGO
<b>TV</b>	TUVALU
<b>TW</b>	TAIWAN, PROVINCE OF CHINA
<b>TZ</b>	TANZANIA, UNITED REPUBLIC OF
<b>UA</b>	UKRAINE
<b>UG</b>	UGANDA
<b>UM</b>	UNITED STATES MINOR OUTLYING ISLANDS
<b>US</b>	UNITED STATES
<b>UY</b>	URUGUAY
<b>UZ</b>	UZBEKISTAN
<b>VA</b>	VATICAN CITY STATE (HOLY SEE)
<b>VC</b>	SAINT VINCENT AND THE GRENADINES
<b>VE</b>	VENEZUELA
<b>VG</b>	VIRGIN ISLANDS (BRITISH)
<b>VI</b>	VIRGIN ISLANDS (U.S.)
<b>VN</b>	VIET NAM
<b>VU</b>	VANUATU
<b>WF</b>	WALLIS AND FUTUNA ISLANDS
<b>WS</b>	SAMOA
<b>YE</b>	YEMEN
<b>YT</b>	MAYOTTE

YU	YUGOSLAVIA
ZA	SOUTH AFRICA
ZM	ZAMBIA
ZR	ZAIRE
ZW	ZIMBABWE

**4053** Delivery or transport terms description code

Code	Name/Description
1	Delivery arranged by the supplier Indicates that the supplier will arrange delivery of the goods.
2	Delivery arranged by logistic service provider Code indicating that the logistic service provider has arranged the delivery of goods.
CFR	Cost & Freight
CIF	Cost, Insurance, Freight to named destination
CIP	Freight, Carriage, Insurance to destination
CPT	Freight, Carriage paid to destination
DAF	Delivery at frontier - Named place
DDP	Delivered duty paid to destination
DDU	Delivered duty unpaid to destination
DEQ	Delivered Ex Quay - Duty paid, Named port
DES	Delivered Ex ship - Named port of destination
EXW	Ex works
FAS	Free alongside ship
FCA	Free carrier - Named point
FOA	FOB Airport - Named airport of departure
FOB	Free on Board - Named port of shipment
FOR	Free on Rail - Named departure point

**4055** Terms of delivery or transport function, coded

Code	Name/Description
6	Delivery condition Specifies the conditions under which the goods must be delivered to the consignee.

**4279** Payment terms type code qualifier

Code	Name/Description
------	------------------

3 Fixed date  
Self explanatory.

**4347** Product id. function qualifier

Code	Name/Description
------	------------------

1 Additional identification  
Information which specifies and qualifies product identifications.

**4451** Text subject code qualifier

Code	Name/Description
------	------------------

AAI General information  
Self explanatory.

**5025** Monetary amount type code qualifier

Code	Name/Description
------	------------------

1 VAT, 1st value  
First VAT value if, for the same rate of VAT, there are 1 to 3 different ways to set this value.

2 VAT, 2nd value  
Second VAT value if, for the same rate of VAT, there are 2 or 3 different ways to set this value.

8 Allowance or charge amount  
[5422] Total amount of allowance or charge.

25 Charge/allowance basis  
The amount specified is the basis for calculation of charges/allowance.

39 Invoice total amount  
[5444] Total sum charged in respect of one or more Invoices in accordance with the terms of delivery.

52 Discount amount  
The amount specified is the discount amount.

128 Total amount  
The amount specified is the total amount.

203 Line item amount  
Goods item total minus allowances plus charges for line item. See also Code 66.

389 Amount excluding Value Added Tax (VAT)  
The monetary amount which excludes the Value Added Tax (VAT).

**5125** Price qualifier

Code	Name/Description
------	------------------

AAA Calculation net  
The price stated is the net price including allowances/ charges. Allowances/charges may be stated for information only.

**AAB** Calculation gross  
The price stated is the gross price to which allowances/ charges must be applied.

**5153** Duty/tax/fee type name code

Code	Name/Description
VAT	Value added tax A tax on domestic or imported goods applied to the value added at each stage in the production/distribution cycle.

**5245** Percentage type code qualifier

Code	Name/Description
1	Allowance (5424) Allowance expressed as a percentage.
2	Charge (5424) Charge expressed as a percentage.
12	Discount Discount expressed as a percentage.

**5283** Duty/tax/fee function qualifier

Code	Name/Description
7	Tax Contribution levied by an authority.

**5375** Price type, coded

Code	Name/Description
PU	Specified unit Self explanatory.

**5463** Allowance or charge qualifier

Code	Name/Description
H	Line item allowance Allowance is related to a line item. It can override a default allowance.
M	Line item charge Charge is related to a line item. It can override a default charge.

**6063** Quantity type code qualifier

Code	Name/Description
12	Despatch quantity

Quantity despatched by the seller.

**21** Ordered quantity  
The quantity which has been ordered.

**47** Invoiced quantity  
The quantity as per invoice.

**6069** Control total type code qualifier

Code	Name/Description
2	Number of line items in message Self-explanatory.

**6343** Currency qualifier

Code	Name/Description
4	Invoicing currency The name or symbol of the monetary unit used for calculation in an invoice.

**6345** Currency identification code

Code	Name/Description
AUD	Australian Dollar
CHF	Swiss Franc
EUR	Euro On 1 January 1999, the euro will become the currency of those Member states of the European Union which adopt the single currency in accordance with the Treaty establishing the European Community. This code has been issued now so that technical preparations can be started. The code element 'EU' has been reserved by the ISO 3166 Maintenance Agency for use within ISO 4217 where 'R' has been appended to make an acceptable mnemonic code.
NZD	New Zealand Dollar
USD	US Dollar

**6347** Currency details qualifier

Code	Name/Description
2	Reference currency The currency applicable to amounts stated. It may have to be converted.

**6411** Measurement unit code

Code	Name/Description
EA	each

**7077** Item description type, coded



Code	Name/Description
------	------------------

**F** Free-form  
Self explanatory.

**7081** Item characteristic code

Code	Name/Description
------	------------------

**27** Material description  
Description of material used to manufacture a product.

**7143** Item type identification code

Code	Name/Description
------	------------------

**BP** Buyer's part number  
Reference number assigned by the buyer to identify an article.

**SA** Supplier's article number  
Number assigned to an article by the supplier of that article.

**7161** Special service description code

Code	Name/Description
------	------------------

**ACO** Alloy surcharge  
Additional charge on an item's price for alloy.

**DI** Discount  
A reduction from a usual or list price.

**FC** Freight charge  
Amount to be paid for moving goods, by whatever means, from one place to another, inclusive discounts, allowances, rebates, adjustment factors and additional cost relating to freight costs (UN/ECE Recommendation no 23).

**IN** Insurance  
Charge for insurance.

**MAC** Minimum order/minimum billing charge  
Description to be provided.

**PC** Packing  
Charge for packing.