



EDI Implementation Documentation

EDIFACT 99B ORDERS for customers

based on

ORDERS

Purchase order message

UN D.99B S4

- **Structure Chart**
- **Branching Diagram**
- **Segment Details**

Version 1
Variant 0
Issue date 15.10.2008

Structure / Table of Contents

Counter	No	Tag	St	MaxOcc	Level	Content
	0000	1 UNB	M	1	0	Interchange header
	0010	2 UNH	M	1	0	Message header
	0020	3 BGM	M	1	0	Beginning of message
	0030	4 DTM	M	35	1	Date/time/period
	0030	5 DTM	M	35	1	Date/time/period
	0030	6 DTM	M	35	1	Date/time/period
	0070	7 FTX	C	99	1	Free text
	0070	8 FTX	C	99	1	Free text
	0090	SG1	C	9999	1	RFF-DTM
	0100	9 RFF	M	1	1	Reference
	0110	10 DTM	C	5	2	Date/time/period
	0090	SG1	C	9999	1	RFF-DTM
	0100	11 RFF	M	1	1	Reference
	0110	12 DTM	C	5	2	Date/time/period
	0120	SG2	C	99	1	NAD-SG5
	0130	13 NAD	M	1	1	Name and address
	0220	SG5	C	5	2	CTA-COM-COM-COM
	0230	14 CTA	M	1	2	Contact information
	0240	15 COM	C	5	3	Communication contact
	0240	16 COM	C	5	3	Communication contact
	0240	17 COM	C	5	3	Communication contact
	0120	SG2	C	99	1	NAD-SG5
	0130	18 NAD	M	1	1	Name and address
	0220	SG5	C	5	2	CTA-COM-COM-COM
	0230	19 CTA	M	1	2	Contact information
	0240	20 COM	C	5	3	Communication contact
	0240	21 COM	C	5	3	Communication contact
	0240	22 COM	C	5	3	Communication contact
	0120	SG2	C	99	1	NAD-SG5
	0130	23 NAD	M	1	1	Name and address
	0220	SG5	C	5	2	CTA-COM-COM-COM
	0230	24 CTA	M	1	2	Contact information
	0240	25 COM	C	5	3	Communication contact
	0240	26 COM	C	5	3	Communication contact
	0240	27 COM	C	5	3	Communication contact
	0120	SG2	C	99	1	NAD-SG5
	0130	28 NAD	M	1	1	Name and address
	0220	SG5	C	5	2	CTA-COM-COM-COM

Counter = Counter of segment/group within the standard
 No = Consecutive segment number
 MaxOcc = Maximum occurrence of the segment/group

St = Status
 EDIFACT: M=Mandatory, C=Conditional
 User specific: R=Required, O=Optional, D=Dependent,
 A=Advised, N=Not used

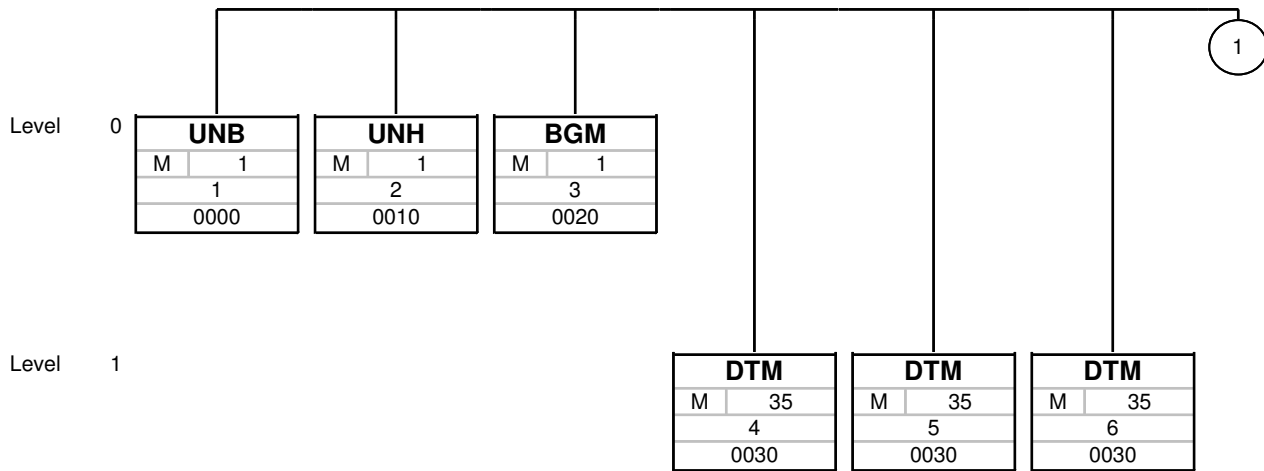
Structure / Table of Contents

Counter	No	Tag	St	MaxOcc	Level	Content
	0230	29 CTA	M	1	2	Contact information
	0240	30 COM	C	5	3	Communication contact
	0240	31 COM	C	5	3	Communication contact
	0240	32 COM	C	5	3	Communication contact
	0290	SG7	C	5	1	CUX
	0300	33 CUX	M	1	1	Currencies
	0410	SG10	C	10	1	TDT
	0420	34 TDT	M	1	1	Details of transport
	0460	SG12	C	5	1	TOD
	0470	35 TOD	M	1	1	Terms of delivery or transport
	1030	SG28	C	200000	1	LIN-PIA-IMD-QTY-FTX-FTX-FTX-SG53
	1040	36 LIN	M	1	1	Line item
	1050	37 PIA	C	25	2	Additional product id
	1060	38 IMD	C	99	2	Item description
	1080	39 QTY	C	99	2	Quantity
	1190	40 FTX	C	99	2	Free text
	1190	41 FTX	C	99	2	Free text
	1190	42 FTX	C	99	2	Free text
	2090	SG53	C	1	2	SCC-SG54
	2100	43 SCC	M	1	2	Scheduling conditions
	2130	SG54	C	1	3	QTY-DTM
	2140	44 QTY	M	1	3	Quantity
	2150	45 DTM	C	1	4	Date/time/period
	2320	46 UNS	M	1	0	Section control
	2340	47 CNT	C	10	1	Control total
	2390	48 UNT	M	1	0	Message trailer
	0000	49 UNZ	M	1	0	Interchange trailer

Counter = Counter of segment/group within the standard
 No = Consecutive segment number
 MaxOcc = Maximum occurrence of the segment/group

St = Status
 EDIFACT: M=Mandatory, C=Conditional
 User specific: R=Required, O=Optional, D=Dependent,
 A=Advised, N=Not used

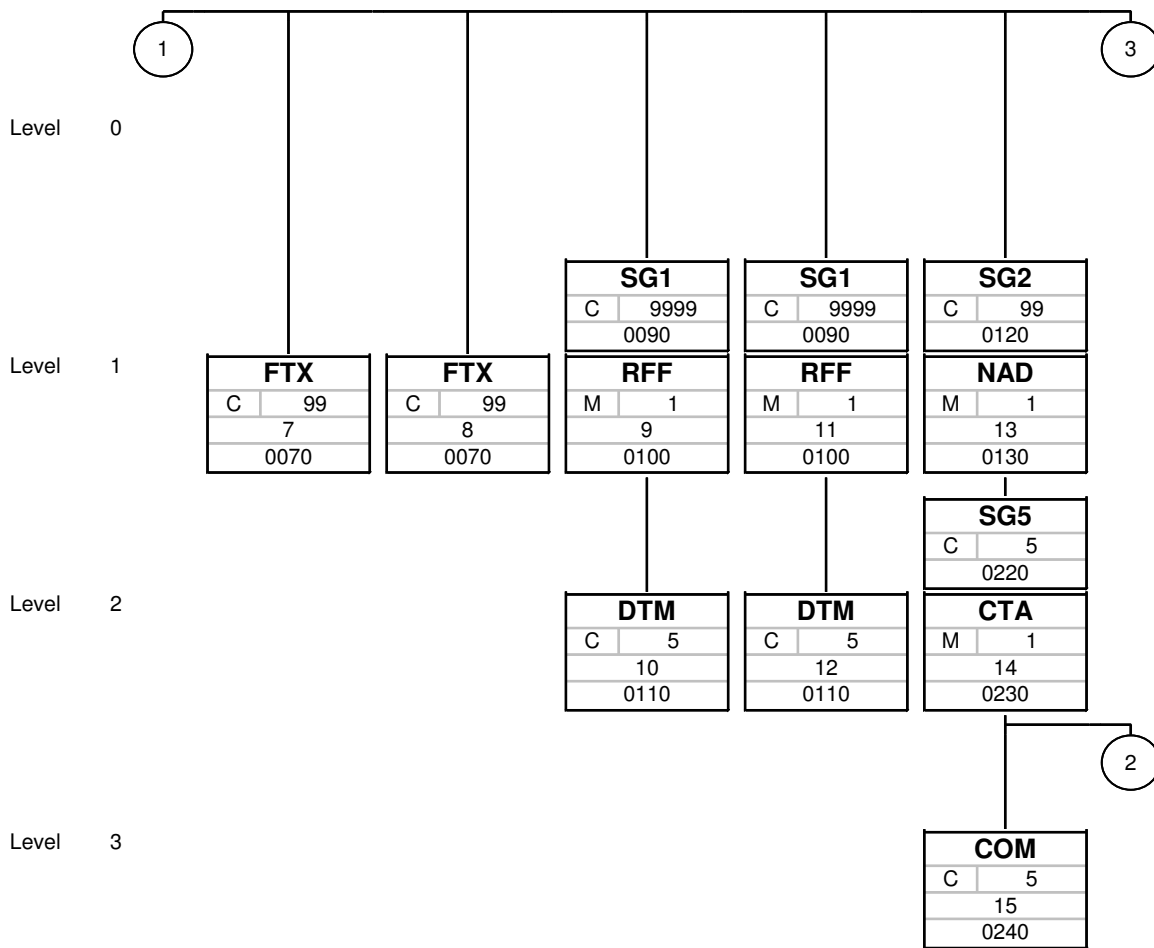
Branching Diagram of Used Segments/Groups



Tag
St MaxOcc
No
Counter

Tag = Segment/Group Tag
 St = Status (M=Mandatory, C=Conditional, R=Required, O=Optional, A=Advised, D=Dependent)
 MaxOcc = Maximum occurrence of the segment/group
 No = Consecutive segment number
 Counter = Counter of segment/group within the standard

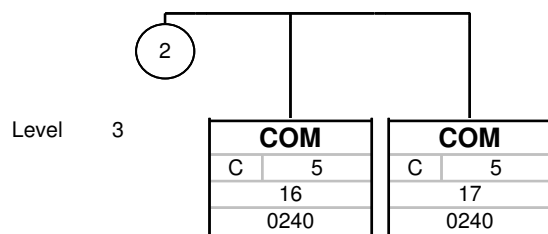
Branching Diagram of Used Segments/Groups



Tag
St MaxOcc
No
Counter

Tag = Segment/Group Tag
 St = Status (M=Mandatory, C=Conditional, R=Required, O=Optional, A=Advised, D=Dependent)
 MaxOcc = Maximum occurrence of the segment/group
 No = Consecutive segment number
 Counter = Counter of segment/group within the standard

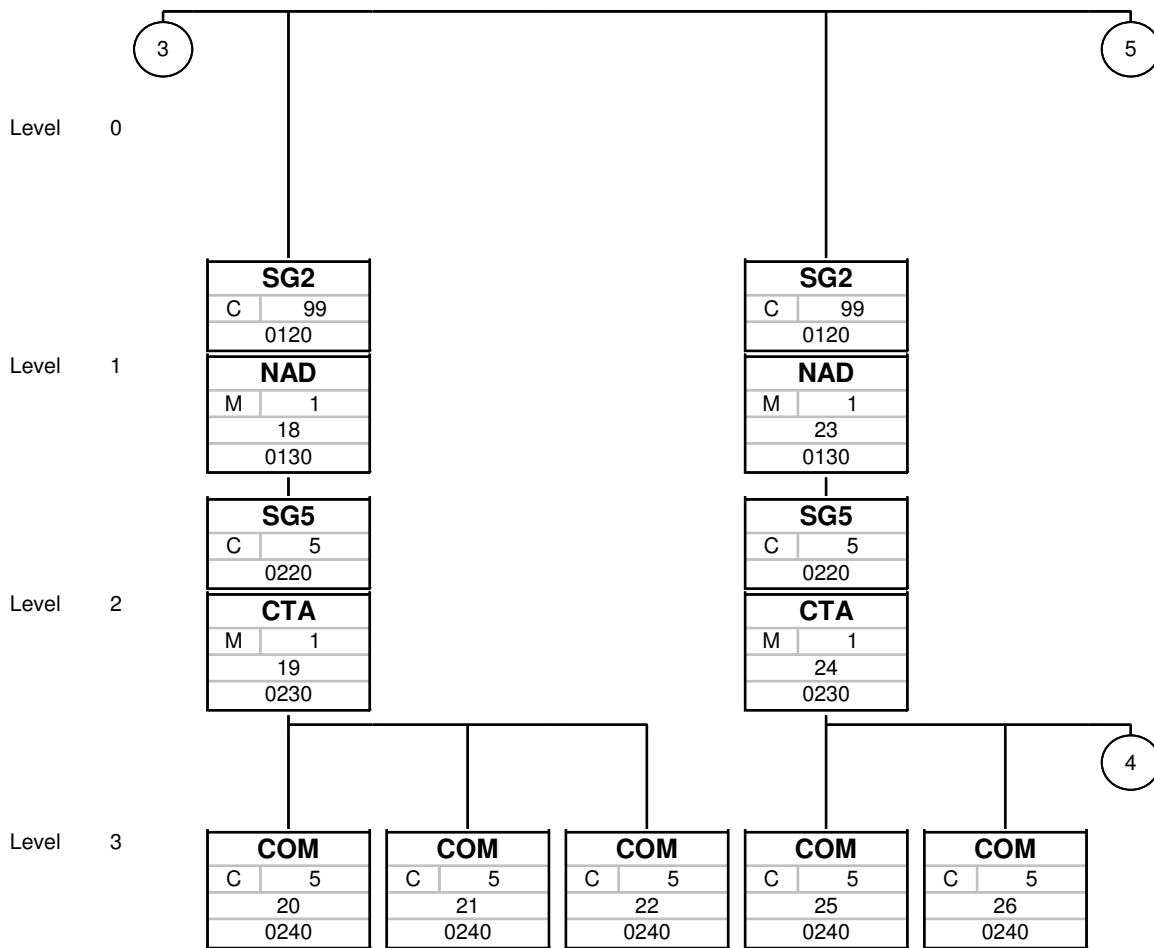
Branching Diagram of Used Segments/Groups



Tag
St MaxOcc
No
Counter

Tag = Segment/Group Tag
 St = Status (M=Mandatory, C=Conditional, R=Required, O=Optional, A=Advised, D=Dependent)
 MaxOcc = Maximum occurrence of the segment/group
 No = Consecutive segment number
 Counter = Counter of segment/group within the standard

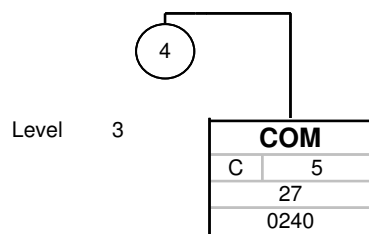
Branching Diagram of Used Segments/Groups



Tag
St MaxOcc
No
Counter

Tag = Segment/Group Tag
 St = Status (M=Mandatory, C=Conditional, R=Required, O=Optional, A=Advised, D=Dependent)
 MaxOcc = Maximum occurrence of the segment/group
 No = Consecutive segment number
 Counter = Counter of segment/group within the standard

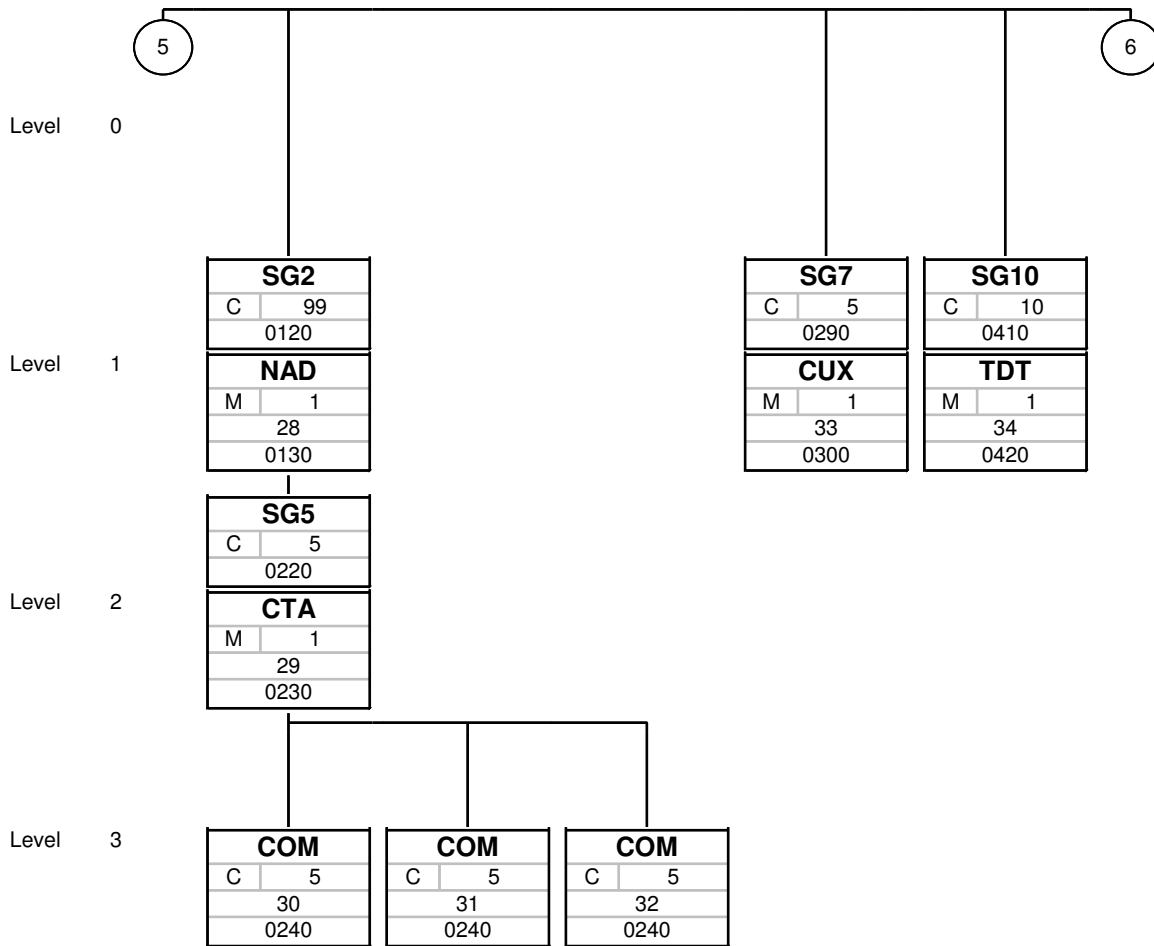
Branching Diagram of Used Segments/Groups



Tag
St MaxOcc
No
Counter

Tag = Segment/Group Tag
 St = Status (M=Mandatory, C=Conditional, R=Required, O=Optional, A=Advised, D=Dependent)
 MaxOcc = Maximum occurrence of the segment/group
 No = Consecutive segment number
 Counter = Counter of segment/group within the standard

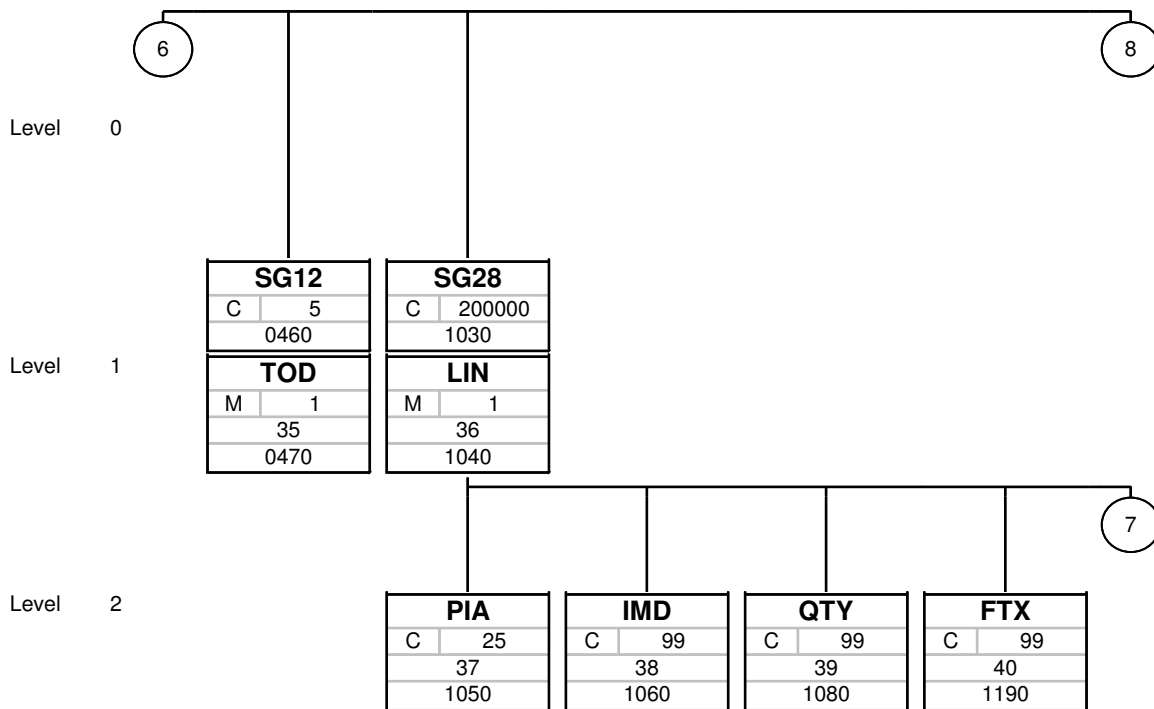
Branching Diagram of Used Segments/Groups



Tag
St MaxOcc
No
Counter

Tag = Segment/Group Tag
 St = Status (M=Mandatory, C=Conditional, R=Required, O=Optional, A=Advised, D=Dependent)
 MaxOcc = Maximum occurrence of the segment/group
 No = Consecutive segment number
 Counter = Counter of segment/group within the standard

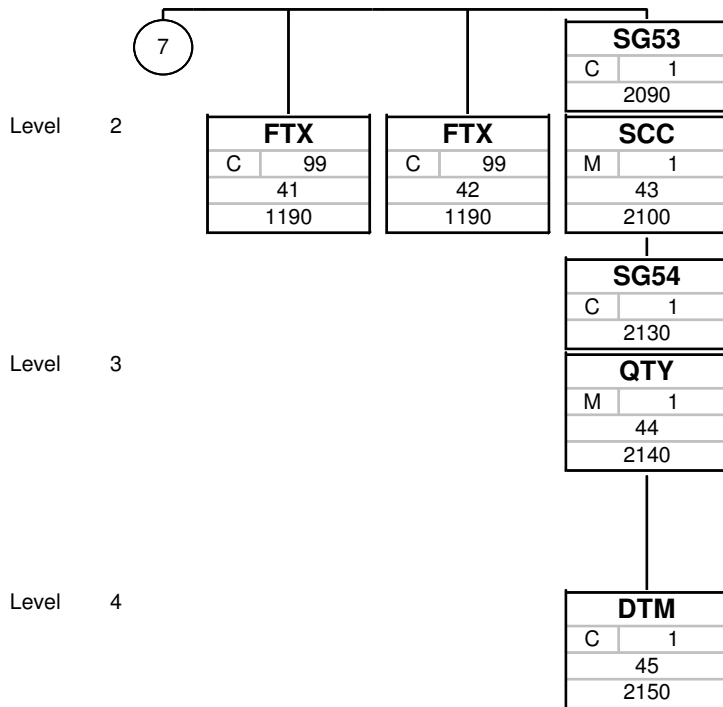
Branching Diagram of Used Segments/Groups



Tag
St MaxOcc
No
Counter

Tag = Segment/Group Tag
 St = Status (M=Mandatory, C=Conditional, R=Required, O=Optional, A=Advised, D=Dependent)
 MaxOcc = Maximum occurrence of the segment/group
 No = Consecutive segment number
 Counter = Counter of segment/group within the standard

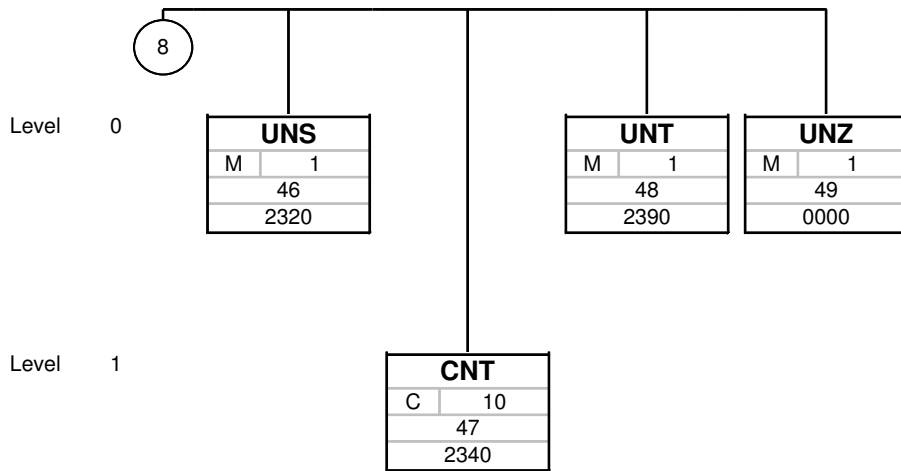
Branching Diagram of Used Segments/Groups



Tag
St MaxOcc
No
Counter

Tag = Segment/Group Tag
 St = Status (M=Mandatory, C=Conditional, R=Required, O=Optional, A=Advised, D=Dependent)
 MaxOcc = Maximum occurrence of the segment/group
 No = Consecutive segment number
 Counter = Counter of segment/group within the standard

Branching Diagram of Used Segments/Groups



Tag
St MaxOcc
No
Counter

Tag = Segment/Group Tag
 St = Status (M=Mandatory, C=Conditional, R=Required, O=Optional, A=Advised, D=Dependent)
 MaxOcc = Maximum occurrence of the segment/group
 No = Consecutive segment number
 Counter = Counter of segment/group within the standard

Segments

Counter	No	Tag	St	MaxOcc	Level	Name
0000	1	UNB	M	1	0	Interchange header

Standard			Implementation	
Tag	Name	St Format	St Format	Usage / Remark
UNB				
S001	Syntax identifier	M	M	
0001	Syntax identifier	M a4	M a4	
0002	Syntax version number	M an1	M an1	
S002	Interchange sender	M	M	
0004	Interchange sender identification	M an..35	M an..35	Details for sender ID have to be clarified with STIHL ClearingCenter.
0007	Identification code qualifier	C an..4	C an..4	
S003	Interchange recipient	M	M	
0010	Interchange recipient identification	M an..35	M an..35	Details for receiver ID have to be clarified with STIHL ClearingCenter.
0007	Identification code qualifier	C an..4	C an..4	
S004	Date and time of preparation	M	M	
0017	Date	M n8	M n8	
0019	Time	M n4	M n4	
0020	Interchange control reference	M an..14	M an..14	

Remark:

Example:

UNB+UNOC:4+CUSTOMER:ZZZ+STIHL:ZZZ+20081006:1234+1234'

No = Consecutive segment number
 MaxOcc = Maximum occurrence of the segment/group
 Counter = Counter of segment/group within the standard

St = Status
 EDIFACT: M=Mandatory, C=Conditional
 User specific: R=Required, O=Optional, D=Dependent,
 A=Advised, N=Not used

Segments

Counter	No	Tag	St	MaxOcc	Level	Name
0010	2	UNH	M	1	0	Message header

Standard			Implementation	
Tag	Name	St Format	St Format	Usage / Remark
UNH				
0062	Message reference number	M an..14	M an..14	
S009	Message identifier	M	M	
0065	Message type	M an..6	M an..6	ORDERS Purchase order message
0052	Message version number	M an..3	M an..3	D Draft version/UN/EDIFACT Directory
0054	Message release number	M an..3	M an..3	99B Release 1999 - B
0051	Controlling agency, coded	M an..3	M an..3	UN UN/CEFACT

Remark:

Example:

UNH+89+ORDERS : D : 99B : UN '

No = Consecutive segment number
 MaxOcc = Maximum occurrence of the segment/group
 Counter = Counter of segment/group within the standard

St = Status
 EDIFACT: M=Mandatory, C=Conditional
 User specific: R=Required, O=Optional, D=Dependent,
 A=Advised, N=Not used

Segments

Counter	No	Tag	St	MaxOcc	Level	Name
0020	3	BGM	M	1	0	Beginning of message

Standard			Implementation	
Tag	Name	St Format	St Format	Usage / Remark
BGM				
C002	Document/message name	C	C	
1001	Document name code	C an..3	C an..3	220 Order ZKE Consignment ZKR Consignment return
C106	Document/message identification	C	C	
1004	Document/message number	C an..35	C an..35	Customer order number
1225	Message function code	C an..3	C an..3	9 Original

Remark:

Example:

BGM+220+579534+9'

No = Consecutive segment number
 MaxOcc = Maximum occurrence of the segment/group
 Counter = Counter of segment/group within the standard

St = Status
 EDIFACT: M=Mandatory, C=Conditional
 User specific: R=Required, O=Optional, D=Dependent,
 A=Advised, N=Not used

Segments

Counter	No	Tag	St	MaxOcc	Level	Name
0030	4	DTM	M	35	1	Date/time/period

Standard			Implementation	
Tag	Name	St Format	St Format	Usage / Remark
DTM				
C507	Date/time/period	M	M	
2005	Date/time/period function code qualifier	M an..3	M an..3	4 Order date/time
2380	Date/time/period value	C an..35	C an..35	Date of customer order
2379	Date/time/period format code	C an..3	C an..3	102 CCYYMMDD

Remark:

Example:

DTM+4:20080302:102'

No = Consecutive segment number
 MaxOcc = Maximum occurrence of the segment/group
 Counter = Counter of segment/group within the standard

St = Status
 EDIFACT: M=Mandatory, C=Conditional
 User specific: R=Required, O=Optional, D=Dependent,
 A=Advised, N=Not used

Segments

Counter	No	Tag	St	MaxOcc	Level	Name
0030	5	DTM	M	35	1	Date/time/period

Standard			Implementation	
Tag	Name	St Format	St Format	Usage / Remark
DTM				
C507	Date/time/period	M	M	
2005	Date/time/period function code qualifier	M an..3	M an..3	2 Delivery date/time, requested
2380	Date/time/period value	C an..35	C an..35	Due date of good's arrival at customer's site
2379	Date/time/period format code	C an..3	C an..3	102 CCYYMMDD

Remark:

This segment only occurs on head level if the date time is the same for all line items. If they are different please refer to DTM in SG 28.

Example:

DTM+2:20080401:102'

No = Consecutive segment number
 MaxOcc = Maximum occurrence of the segment/group
 Counter = Counter of segment/group within the standard

St = Status
 EDIFACT: M=Mandatory, C=Conditional
 User specific: R=Required, O=Optional, D=Dependent,
 A=Advised, N=Not used

Segments

Counter	No	Tag	St	MaxOcc	Level	Name
0030	6	DTM	M	35	1	Date/time/period

Standard			Implementation	
Tag	Name	St Format	St Format	Usage / Remark
DTM				
C507	Date/time/period	M	M	
2005	Date/time/period function code qualifier	M an..3	M an..3	10 Shipment date/time, requested
2380	Date/time/period value	C an..35	C an..35	Date on which goods should be shipped or dispatched by the supplier.
2379	Date/time/period format code	C an..3	C an..3	102 CCYYMMDD

Remark:

This segment only occurs on head level if the date time is the same for all line items. If they are different please refer to DTM in SG 28.

Example:

DTM+10:20080401:102'

No = Consecutive segment number
 MaxOcc = Maximum occurrence of the segment/group
 Counter = Counter of segment/group within the standard

St = Status
 EDIFACT: M=Mandatory, C=Conditional
 User specific: R=Required, O=Optional, D=Dependent,
 A=Advised, N=Not used

Segments

Counter	No	Tag	St	MaxOcc	Level	Name
0070	7	FTX	C	99	1	Free text

Standard			Implementation	
Tag	Name	St Format	St Format	Usage / Remark
FTX				
4451	Text subject code qualifier	M an..3	M an..3	ZZZ Mutually defined
C107	Text reference	C	C	This DEG only occurs if DE4451 has the value ZZZ.
4441	Free text value code	M an..17	M an..17	SHOPON Only for New Zealand: Vouchersystem USCODE
C108	Text literal	C	C	
4440	Free text value	M an..512	M an..512	Possible value: '1' (paying with voucher)

Remark:

Only needed in very special business scenarios!

Example:

FTX+ZZZ++SHOPONUSCODE+1'

No = Consecutive segment number
 MaxOcc = Maximum occurrence of the segment/group
 Counter = Counter of segment/group within the standard

St = Status
 EDIFACT: M=Mandatory, C=Conditional
 User specific: R=Required, O=Optional, D=Dependent,
 A=Advised, N=Not used

Segments

Counter	No	Tag	St	MaxOcc	Level	Name
0070	8	FTX	C	99	1	Free text

Standard			Implementation	
Tag	Name	St Format	St Format	Usage / Remark
FTX				
4451	Text subject code qualifier	M an..3	M an..3	ZZZ Mutually defined
C107	Text reference	C	C	This DEG only occurs if DE4451 has the value ZZZ.
4441	Free text value code	M an..17	M an..17	ORDTYP Order type
C108	Text literal	C	C	
4440	Free text value	M an..512	M an..512	Detailed field content has to be agreed with the trading partner!

Remark:

Example:

FTX+ZZZ++ORDTYP+Z01'

No = Consecutive segment number
 MaxOcc = Maximum occurrence of the segment/group
 Counter = Counter of segment/group within the standard

St = Status
 EDIFACT: M=Mandatory, C=Conditional
 User specific: R=Required, O=Optional, D=Dependent,
 A=Advised, N=Not used

Segments

Counter	No	Tag	St	MaxOcc	Level	Name
0090		SG1	C	9999	1	RFF-DTM
Customer sales order number towards his customer. (The customer who issues this EDIFACT purchase order has a corresponding sales order towards his customer. This segment group describes this sales order number.) Only needed in very special business scenarios!						
0100	9	RFF	M	1	1	Reference

		Standard	Implementation		
Tag	Name	St Format	St Format	Usage / Remark	
RFF					
C506	Reference	M	M		
1153	Reference function code qualifier	M an..3	M an..3	VN Order number (vendor)	
1154	Reference identifier	C an..35	C an..35	Sales order number of customer towards his customer	

Remark:

Example:

RFF+VN:5945413/01'

No = Consecutive segment number
 MaxOcc = Maximum occurrence of the segment/group
 Counter = Counter of segment/group within the standard

St = Status
 EDIFACT: M=Mandatory, C=Conditional
 User specific: R=Required, O=Optional, D=Dependent,
 A=Advised, N=Not used

Segments

Counter	No	Tag	St	MaxOcc	Level	Name
0090		SG1	C	9999	1	RFF-DTM
Customer sales order number towards his customer. (The customer who issues this EDIFACT purchase order has a corresponding sales order towards his customer. This segment group describes this sales order number.) Only needed in very special business scenarios!						
0110	10	DTM	C	5	2	Date/time/period

		Standard	Implementation		
Tag	Name	St Format	St Format	Usage / Remark	
DTM					
C507	Date/time/period	M	M		
2005	Date/time/period function code qualifier	M an..3	M an..3	137 Document/message date/time	
2380	Date/time/period value	C an..35	C an..35	Date of vendor's order number	
2379	Date/time/period format code	C an..3	C an..3	102 CCYYMMDD	

Remark:

Example:

DTM+137:20070801:102'

No = Consecutive segment number
 MaxOcc = Maximum occurrence of the segment/group
 Counter = Counter of segment/group within the standard

St = Status
 EDIFACT: M=Mandatory, C=Conditional
 User specific: R=Required, O=Optional, D=Dependent,
 A=Advised, N=Not used

Segments

Counter	No	Tag	St	MaxOcc	Level	Name
0090		SG1	C	9999	1	RFF-DTM
Purchase order number of customer's customer. (A party A issues a purchase order with a vendor B. This vendor B is the issuer of this EDIFACT orders messages sending it to STIHL. This segment group contains A's purchase order number.) Only needed in very special business scenarios!						
0100	11	RFF	M	1	1	Reference

		Standard	Implementation	
Tag	Name	St Format	St Format	Usage / Remark
RFF				
C506	Reference	M	M	
1153	Reference function code qualifier	M an..3	M an..3	CO Buyers order number
1154	Reference identifier	C an..35	C an..35	Purchase order number of customer's customer

Remark:

Example:

RFF+CO:0000108583'

No = Consecutive segment number
 MaxOcc = Maximum occurrence of the segment/group
 Counter = Counter of segment/group within the standard

St = Status
 EDIFACT: M=Mandatory, C=Conditional
 User specific: R=Required, O=Optional, D=Dependent,
 A=Advised, N=Not used

Segments

Counter	No	Tag	St	MaxOcc	Level	Name
0090		SG1	C	9999	1	RFF-DTM
Purchase order number of customer's customer. (A party A issues a purchase order with a vendor B. This vendor B is the issuer of this EDIFACT orders messages sending it to STIHL. This segment group contains A's purchase order number.) Only needed in very special business scenarios!						
0110	12	DTM	C	5	2	Date/time/period

		Standard	Implementation		
Tag	Name	St Format	St Format	Usage / Remark	
DTM					
C507	Date/time/period	M	M		
2005	Date/time/period function code qualifier	M an..3	M an..3	137 Document/message date/time	
2380	Date/time/period value	C an..35	C an..35	Date of buyer's order number	
2379	Date/time/period format code	C an..3	C an..3	102 CCYMMDD	

Remark:

Example:

DTM+137:20070801:102'

No = Consecutive segment number
 MaxOcc = Maximum occurrence of the segment/group
 Counter = Counter of segment/group within the standard

St = Status
 EDIFACT: M=Mandatory, C=Conditional
 User specific: R=Required, O=Optional, D=Dependent,
 A=Advised, N=Not used

Segments

Counter	No	Tag	St	MaxOcc	Level	Name
0120		SG2	C	99	1	NAD-SG5
0130	13	NAD	M	1	1	Name and address

Standard			Implementation	
Tag	Name	St Format	St Format	Usage / Remark
NAD				
3035	Party function code qualifier	M an..3	M an..3	BY Buyer
C082	Party identification details	C	C	91 Assigned by seller or seller's agent 9 EAN (International Article Numbering association)
3039	Party identifier	M an..35	M an..35	
3055	Code list responsible agency code	C an..3	C an..3	
C080	Party name	C	C	
3036	Party name	M an..35	M an..35	
3036	Party name	C an..35	C an..35	
C059	Street	C	C	
3042	Street and number/p.o. box	M an..35	M an..35	
3164	City name	C an..35	C an..35	
C819	Country sub-entity details	C	C	
3228	Country sub-entity name	C an..35	C an..35	
3251	Postal identification code	C an..17	C an..17	
3207	Country name code	C an..3	C an..3	

Remark:

Example:

NAD+BY+9000129123::91++MAHLE AG:Plant 1+Wilhelmastrasse 14+Stuttgart+::Baden-Württemberg+71336+DE

No = Consecutive segment number
MaxOcc = Maximum occurrence of the segment/group
Counter = Counter of segment/group within the standard

St = Status
EDIFACT: M=Mandatory, C=Conditional
User specific: R=Required, O=Optional, D=Dependent,
A=Advised, N=Not used

Segments

Counter	No	Tag	St	MaxOcc	Level	Name
	0220	SG5	C	5	2	CTA-COM
	0230	14 CTA	M	1	2	Contact information

Standard			Implementation	
Tag	Name	St Format	St Format	Usage / Remark
CTA				
3139	Contact function code	C an..3	C an..3	PD Purchasing contact
C056	Department or employee details	C	C	
3412	Department or employee	C an..35	C an..35	Name of contact person

Remark:

Example:

CTA+PD+:Peter Maier'

No = Consecutive segment number
 MaxOcc = Maximum occurrence of the segment/group
 Counter = Counter of segment/group within the standard

St = Status
 EDIFACT: M=Mandatory, C=Conditional
 User specific: R=Required, O=Optional, D=Dependent,
 A=Advised, N=Not used

Segments

Counter	No	Tag	St	MaxOcc	Level	Name
	0220	SG5	C	5	2	CTA-COM
	0240	15 COM	C	5	3	Communication contact

Standard			Implementation	
Tag	Name	St Format	St Format	Usage / Remark
COM				
C076	Communication contact	M	M	
3148	Communication number	M an..512	M an..512	Phone number of contact person
3155	Communication number code qualifier	M an..3	M an..3	TE Telephone

Remark:

Example:

COM+07151-26-0:TE'

No = Consecutive segment number
 MaxOcc = Maximum occurrence of the segment/group
 Counter = Counter of segment/group within the standard

St = Status
 EDIFACT: M=Mandatory, C=Conditional
 User specific: R=Required, O=Optional, D=Dependent,
 A=Advised, N=Not used

Segments

Counter	No	Tag	St	MaxOcc	Level	Name
	0220	SG5	C	5	2	CTA-COM
	0240	16 COM	C	5	3	Communication contact

Standard			Implementation	
Tag	Name	St Format	St Format	Usage / Remark
COM				
C076	Communication contact	M	M	
3148	Communication number	M an..512	M an..512	E-Mail address of contact person
3155	Communication number code qualifier	M an..3	M an..3	EM Electronic mail

Remark:

Example:

COM+peter.maier@stihl.de:EM'

No = Consecutive segment number
 MaxOcc = Maximum occurrence of the segment/group
 Counter = Counter of segment/group within the standard

St = Status
 EDIFACT: M=Mandatory, C=Conditional
 User specific: R=Required, O=Optional, D=Dependent,
 A=Advised, N=Not used

Segments

Counter	No	Tag	St	MaxOcc	Level	Name	
	0220	SG5	C	5	2	CTA-COM	
	0240	17	COM	C	5	3	Communication contact

		Standard	Implementation	
Tag	Name	St Format	St Format	Usage / Remark
COM				
C076	Communication contact	M	M	
3148	Communication number	M an..512	M an..512	Fax number of contact person
3155	Communication number code qualifier	M an..3	M an..3	FX Telefax

Remark:

Example:

COM+07151-26-875:FX'

No = Consecutive segment number
 MaxOcc = Maximum occurrence of the segment/group
 Counter = Counter of segment/group within the standard

St = Status
 EDIFACT: M=Mandatory, C=Conditional
 User specific: R=Required, O=Optional, D=Dependent,
 A=Advised, N=Not used

Segments

Counter	No	Tag	St	MaxOcc	Level	Name
	0120	SG2	C	99	1	NAD-SG5
	0130	NAD	M	1	1	Name and address

Standard			Implementation	
Tag	Name	St Format	St Format	Usage / Remark
NAD				
3035	Party function code qualifier	M an..3	M an..3	DP Delivery party
C082	Party identification details	C	C	91 Assigned by seller or seller's agent 92 Assigned by buyer or buyer's agent Whether 91 or 92 is transmitted for this qualifier DP depends on the individual business process / data sender.
3039	Party identifier	M an..35	M an..35	
3055	Code list responsible agency code	C an..3	C an..3	
C080	Party name	C	C	
3036	Party name	M an..35	M an..35	
3036	Party name	C an..35	C an..35	
C059	Street	C	C	
3042	Street and number/p.o. box	M an..35	M an..35	
3164	City name	C an..35	C an..35	
C819	Country sub-entity details	C	C	
3228	Country sub-entity name	C an..35	C an..35	
3251	Postal identification code	C an..17	C an..17	
3207	Country name code	C an..3	C an..3	

Remark:

This segment determines the physical unloading point of the goods.

Example:

NAD+DP+68773323::91++Chilag AG:Plant 1+Munotstrasse 12+Schaffhausen+::Schaffhausen+8064+CH'

No = Consecutive segment number
 MaxOcc = Maximum occurrence of the segment/group
 Counter = Counter of segment/group within the standard

St = Status
 EDIFACT: M=Mandatory, C=Conditional
 User specific: R=Required, O=Optional, D=Dependent,
 A=Advised, N=Not used

Segments

Counter	No	Tag	St	MaxOcc	Level	Name
	0220	SG5	C	5	2	CTA-COM
	0230	19 CTA	M	1	2	Contact information

Standard			Implementation	
Tag	Name	St Format	St Format	Usage / Remark
CTA				
3139	Contact function code	C an..3	C an..3	GR Goods receiving contact
C056	Department or employee details	C	C	
3412	Department or employee	C an..35	C an..35	Name of contact person

Remark:

Example:

CTA+GR+:Hans Schmidt'

No = Consecutive segment number
 MaxOcc = Maximum occurrence of the segment/group
 Counter = Counter of segment/group within the standard

St = Status
 EDIFACT: M=Mandatory, C=Conditional
 User specific: R=Required, O=Optional, D=Dependent,
 A=Advised, N=Not used

Segments

Counter	No	Tag	St	MaxOcc	Level	Name	
	0220	SG5	C	5	2	CTA-COM	
	0240	20	COM	C	5	3	Communication contact

Standard			Implementation	
Tag	Name	St Format	St Format	Usage / Remark
COM				
C076	Communication contact	M	M	
3148	Communication number	M an..512	M an..512	Phone number of contact person
3155	Communication number code qualifier	M an..3	M an..3	TE Telephone

Remark:

Example:

COM+01751-456-123:TE'

No = Consecutive segment number
 MaxOcc = Maximum occurrence of the segment/group
 Counter = Counter of segment/group within the standard

St = Status
 EDIFACT: M=Mandatory, C=Conditional
 User specific: R=Required, O=Optional, D=Dependent,
 A=Advised, N=Not used

Segments

Counter	No	Tag	St	MaxOcc	Level	Name
	0220	SG5	C	5	2	CTA-COM
	0240	21 COM	C	5	3	Communication contact

Standard			Implementation	
Tag	Name	St Format	St Format	Usage / Remark
COM				
C076	Communication contact	M	M	
3148	Communication number	M an..512	M an..512	E-Mail address of contact person
3155	Communication number code qualifier	M an..3	M an..3	EM Electronic mail

Remark:

Example:

COM+hans.schmidt@chilag.ch:EM'

No = Consecutive segment number
 MaxOcc = Maximum occurrence of the segment/group
 Counter = Counter of segment/group within the standard

St = Status
 EDIFACT: M=Mandatory, C=Conditional
 User specific: R=Required, O=Optional, D=Dependent,
 A=Advised, N=Not used

Segments

Counter	No	Tag	St	MaxOcc	Level	Name	
	0220	SG5	C	5	2	CTA-COM	
	0240	22	COM	C	5	3	Communication contact

		Standard	Implementation	
Tag	Name	St Format	St Format	Usage / Remark
COM				
C076	Communication contact	M	M	
3148	Communication number	M an..512	M an..512	Fax number of contact person
3155	Communication number code qualifier	M an..3	M an..3	FX Telefax

Remark:

Example:

COM+022736-12-24321:FX'

No = Consecutive segment number
 MaxOcc = Maximum occurrence of the segment/group
 Counter = Counter of segment/group within the standard

St = Status
 EDIFACT: M=Mandatory, C=Conditional
 User specific: R=Required, O=Optional, D=Dependent,
 A=Advised, N=Not used

Segments

Counter	No	Tag	St	MaxOcc	Level	Name
	0120	SG2	C	99	1	NAD-SG5
	0130	NAD	M	1	1	Name and address

Standard			Implementation	
Tag	Name	St Format	St Format	Usage / Remark
NAD				
3035	Party function code qualifier	M an..3	M an..3	IV Invoicee
C082	Party identification details	C	C	91 Assigned by seller or seller's agent
3039	Party identifier	M an..35	M an..35	
3055	Code list responsible agency code	C an..3	C an..3	
C080	Party name	C	C	
3036	Party name	M an..35	M an..35	
3036	Party name	C an..35	C an..35	
C059	Street	C	C	
3042	Street and number/p.o. box	M an..35	M an..35	
3164	City name	C an..35	C an..35	
C819	Country sub-entity details	C	C	
3228	Country sub-entity name	C an..35	C an..35	
3251	Postal identification code	C an..17	C an..17	
3207	Country name code	C an..3	C an..3	

Remark:

Example:

NAD+IV+901281826::91++Alcatel-Lucent AG:Plant 4+Rue de la Concorde 12+Le Mans+:::Department 23+823 89+FR'

No = Consecutive segment number
 MaxOcc = Maximum occurrence of the segment/group
 Counter = Counter of segment/group within the standard

St = Status
 EDIFACT: M=Mandatory, C=Conditional
 User specific: R=Required, O=Optional, D=Dependent,
 A=Advised, N=Not used

Segments

Counter	No	Tag	St	MaxOcc	Level	Name	
	0220	SG5	C	5	2	CTA-COM	
	0230	24	CTA	M	1	2	Contact information

Standard			Implementation	
Tag	Name	St Format	St Format	Usage / Remark
CTA				
3139	Contact function code	C an..3	C an..3	AD Accounting contact
C056	Department or employee details	C	C	
3412	Department or employee	C an..35	C an..35	Name of contact person

Remark:

Example:

CTA+AD+:Harald Kaeufer'

No = Consecutive segment number
 MaxOcc = Maximum occurrence of the segment/group
 Counter = Counter of segment/group within the standard

St = Status
 EDIFACT: M=Mandatory, C=Conditional
 User specific: R=Required, O=Optional, D=Dependent,
 A=Advised, N=Not used

Segments

Counter	No	Tag	St	MaxOcc	Level	Name
	0220	SG5	C	5	2	CTA-COM
	0240	25 COM	C	5	3	Communication contact

Standard			Implementation	
Tag	Name	St Format	St Format	Usage / Remark
COM				
C076	Communication contact	M	M	
3148	Communication number	M an..512	M an..512	Phone number of contact person
3155	Communication number code qualifier	M an..3	M an..3	TE Telephone

Remark:

Example:

COM+07151-26-8765:TE'

No = Consecutive segment number
 MaxOcc = Maximum occurrence of the segment/group
 Counter = Counter of segment/group within the standard

St = Status
 EDIFACT: M=Mandatory, C=Conditional
 User specific: R=Required, O=Optional, D=Dependent,
 A=Advised, N=Not used

Segments

Counter	No	Tag	St	MaxOcc	Level	Name
	0220	SG5	C	5	2	CTA-COM
	0240	26 COM	C	5	3	Communication contact

Standard			Implementation	
Tag	Name	St Format	St Format	Usage / Remark
COM				
C076	Communication contact	M	M	
3148	Communication number	M an..512	M an..512	E-Mail address of contact person
3155	Communication number code qualifier	M an..3	M an..3	EM Electronic mail

Remark:

Example:

COM+harald.kaeuffer@alcatel.de:EM'

No = Consecutive segment number
 MaxOcc = Maximum occurrence of the segment/group
 Counter = Counter of segment/group within the standard

St = Status
 EDIFACT: M=Mandatory, C=Conditional
 User specific: R=Required, O=Optional, D=Dependent,
 A=Advised, N=Not used

Segments

Counter	No	Tag	St	MaxOcc	Level	Name
	0220	SG5	C	5	2	CTA-COM
	0240	27 COM	C	5	3	Communication contact

Standard			Implementation	
Tag	Name	St Format	St Format	Usage / Remark
COM				
C076	Communication contact	M	M	
3148	Communication number	M an..512	M an..512	Fax number of contact person
3155	Communication number code qualifier	M an..3	M an..3	FX Telefax

Remark:

Example:

COM+01234-123-123:FX'

No = Consecutive segment number
 MaxOcc = Maximum occurrence of the segment/group
 Counter = Counter of segment/group within the standard

St = Status
 EDIFACT: M=Mandatory, C=Conditional
 User specific: R=Required, O=Optional, D=Dependent,
 A=Advised, N=Not used

Segments

Counter	No	Tag	St	MaxOcc	Level	Name
	0120	SG2	C	99	1	NAD-SG5
	0130	NAD	M	1	1	Name and address

Standard			Implementation	
Tag	Name	St Format	St Format	Usage / Remark
NAD				
3035	Party function code qualifier	M an..3	M an..3	SU Supplier
C082	Party identification details	C	C	92 Assigned by buyer or buyer's agent
3039	Party identifier	M an..35	M an..35	
3055	Code list responsible agency code	C an..3	C an..3	
C080	Party name	C	C	
3036	Party name	M an..35	M an..35	
3036	Party name	C an..35	C an..35	
C059	Street	C	C	
3042	Street and number/p.o. box	M an..35	M an..35	
3164	City name	C an..35	C an..35	
C819	Country sub-entity details	C	C	
3228	Country sub-entity name	C an..35	C an..35	
3251	Postal identification code	C an..17	C an..17	
3207	Country name code	C an..3	C an..3	

Remark:

Example:

NAD+SU+901827333::92++Andreas STIHL AG & Co. KG:Plant 1+Badstrasse 115+Waiblingen+::Baden-Württemberg+71336+DE'

No = Consecutive segment number
 MaxOcc = Maximum occurrence of the segment/group
 Counter = Counter of segment/group within the standard

St = Status
 EDIFACT: M=Mandatory, C=Conditional
 User specific: R=Required, O=Optional, D=Dependent,
 A=Advised, N=Not used

Segments

Counter	No	Tag	St	MaxOcc	Level	Name
0220		SG5	C	5	2	CTA-COM
0230	29	CTA	M	1	2	Contact information

Standard			Implementation	
Tag	Name	St Format	St Format	Usage / Remark
CTA				
3139	Contact function code	C an..3	C an..3	SR Sales representative or department
C056	Department or employee details	C	C	
3412	Department or employee	C an..35	C an..35	Name of contact person

Remark:

Example:

CTA+SR+:Walter Sobchak'

No = Consecutive segment number
 MaxOcc = Maximum occurrence of the segment/group
 Counter = Counter of segment/group within the standard

St = Status
 EDIFACT: M=Mandatory, C=Conditional
 User specific: R=Required, O=Optional, D=Dependent,
 A=Advised, N=Not used

Segments

Counter	No	Tag	St	MaxOcc	Level	Name
	0220	SG5	C	5	2	CTA-COM
	0240	COM	C	5	3	Communication contact

Standard			Implementation	
Tag	Name	St Format	St Format	Usage / Remark
COM				
C076	Communication contact	M	M	
3148	Communication number	M an..512	M an..512	Phone number of contact person
3155	Communication number code qualifier	M an..3	M an..3	TE Telephone

Remark:

Example:

COM+01765-123-12345:TE'

No = Consecutive segment number
 MaxOcc = Maximum occurrence of the segment/group
 Counter = Counter of segment/group within the standard

St = Status
 EDIFACT: M=Mandatory, C=Conditional
 User specific: R=Required, O=Optional, D=Dependent,
 A=Advised, N=Not used

Segments

Counter	No	Tag	St	MaxOcc	Level	Name
	0220	SG5	C	5	2	CTA-COM
	0240	31 COM	C	5	3	Communication contact

Standard			Implementation	
Tag	Name	St Format	St Format	Usage / Remark
COM				
C076	Communication contact	M	M	
3148	Communication number	M an..512	M an..512	E-Mail address of contact person
3155	Communication number code qualifier	M an..3	M an..3	EM Electronic mail

Remark:

Example:

COM+walter.sobchak@trumpf.com:EM'

No = Consecutive segment number
 MaxOcc = Maximum occurrence of the segment/group
 Counter = Counter of segment/group within the standard

St = Status
 EDIFACT: M=Mandatory, C=Conditional
 User specific: R=Required, O=Optional, D=Dependent,
 A=Advised, N=Not used

Segments

Counter	No	Tag	St	MaxOcc	Level	Name
	0220	SG5	C	5	2	CTA-COM
	0240	32 COM	C	5	3	Communication contact

Standard			Implementation	
Tag	Name	St Format	St Format	Usage / Remark
COM				
C076	Communication contact	M	M	
3148	Communication number	M an..512	M an..512	Fax number of contact person
3155	Communication number code qualifier	M an..3	M an..3	FX Telefax

Remark:

Example:

COM+012378123-123:FX'

No = Consecutive segment number
 MaxOcc = Maximum occurrence of the segment/group
 Counter = Counter of segment/group within the standard

St = Status
 EDIFACT: M=Mandatory, C=Conditional
 User specific: R=Required, O=Optional, D=Dependent,
 A=Advised, N=Not used

Segments

Counter	No	Tag	St	MaxOcc	Level	Name
	0290	SG7	C	5	1	CUX
	0300	33 CUX	M	1	1	Currencies

Standard			Implementation	
Tag	Name	St Format	St Format	Usage / Remark
CUX				
C504	Currency details	C	C	
6347	Currency details qualifier	M an..3	M an..3	1 Charge payment currency
6345	Currency identification code	C an..3	C an..3	Currency value according to codelist 6345
6343	Currency qualifier	C an..3	C an..3	9 Order currency

Remark:

Example:

CUX+1:EUR:9'

No = Consecutive segment number
 MaxOcc = Maximum occurrence of the segment/group
 Counter = Counter of segment/group within the standard

St = Status
 EDIFACT: M=Mandatory, C=Conditional
 User specific: R=Required, O=Optional, D=Dependent,
 A=Advised, N=Not used

Segments

Counter	No	Tag	St	MaxOcc	Level	Name
	0410	SG10	C	10	1	TDT
	0420	34	TDT	M	1	1 Details of transport

Standard			Implementation	
Tag	Name	St Format	St Format	Usage / Remark
TDT				
8051	Transport stage code qualifier	M an..3	M an..3	20 Main-carriage transport
C220	Mode of transport	C	C	
8066	Transport mode name	C an..17	C an..17	Detailed field content has to be agreed with the trading partner! Examples: STANDARD, EXPRESS, OVERNIGHT
C228	Transport means	C	C	
8178	Transport means description	C an..17	C an..17	Detailed field content has to be agreed with the trading partner! Examples: TRUCK, MAIL, TRAIN, SHIP, AIRCRAFT
C040	Carrier	C	C	
3128	Carrier name	C an..35	C an..35	If required the name of the carrier can occur here.

Remark:

Example:

TDT+20++:STANDARD+:TRUCK+:::Dachser'

No = Consecutive segment number
MaxOcc = Maximum occurrence of the segment/group
Counter = Counter of segment/group within the standard

St = Status
EDIFACT: M=Mandatory, C=Conditional
User specific: R=Required, O=Optional, D=Dependent,
A=Advised, N=Not used

Segments

Counter	No	Tag	St	MaxOcc	Level	Name
0460		SG12	C	5	1	TOD
0470	35	TOD	M	1	1	Terms of delivery or transport

Standard			Implementation	
Tag	Name	St Format	St Format	Usage / Remark
TOD				
4055	Terms of delivery or transport function, coded	C an..3	C an..3	6 Delivery condition
C100	Terms of delivery or transport	C	C	
4053	Delivery or transport terms description code	C an..3	C an..3	
4052	Delivery or transport terms description	C an..70	C an..70	Terms of transport have to be clarified between buyer and seller prior to placement of EDI order

Remark:

Example:

TOD+6++EXW:::Waiblingen Incoterms 2000'

No = Consecutive segment number
 MaxOcc = Maximum occurrence of the segment/group
 Counter = Counter of segment/group within the standard

St = Status
 EDIFACT: M=Mandatory, C=Conditional
 User specific: R=Required, O=Optional, D=Dependent,
 A=Advised, N=Not used

Segments

Counter	No	Tag	St	MaxOcc	Level	Name
	1030	SG28	C	200000	1	LIN-PIA-IMD-QTY-FTX-SG53
	1040	LIN	M	1	1	Line item

Standard			Implementation	
Tag	Name	St Format	St Format	Usage / Remark
LIN				
1082	Line item number	C an..6	C an..6	Line item number of customer order
C212	Item number identification	C	C	
7140	Item number	C an..35	C an..35	Material number of customer
7143	Item type identification code	C an..3	C an..3	BP Buyer's part number EN International Article Numbering Association (EAN)

Remark:

Example:

LIN+1++3RPR345K54:BP'

No = Consecutive segment number
MaxOcc = Maximum occurrence of the segment/group
Counter = Counter of segment/group within the standard

St = Status
EDIFACT: M=Mandatory, C=Conditional
User specific: R=Required, O=Optional, D=Dependent,
A=Advised, N=Not used

Segments

Counter	No	Tag	St	MaxOcc	Level	Name
	1030	SG28	C	200000	1	LIN-PIA-IMD-QTY-FTX-SG53
	1050	37 PIA	C	25	2	Additional product id

Standard			Implementation	
Tag	Name	St Format	St Format	Usage / Remark
PIA				
4347	Product id. function qualifier	M an..3	M an..3	1 Additional identification
C212	Item number identification	M	M	
7140	Item number	C an..35	C an..35	Material number of supplier Numbers only. Do not use any blanks, hyphens,...
7143	Item type identification code	C an..3	C an..3	SA Supplier's article number EN International Article Numbering Association (EAN) If qualifier EN was already used in the LIN segment it is not necessary to send it in PIA again.

Remark:

Example:

PIA+1+11243434234:SA'

No = Consecutive segment number
MaxOcc = Maximum occurrence of the segment/group
Counter = Counter of segment/group within the standard

St = Status
EDIFACT: M=Mandatory, C=Conditional
User specific: R=Required, O=Optional, D=Dependent,
A=Advised, N=Not used

Segments

Counter	No	Tag	St	MaxOcc	Level	Name
	1030	SG28	C	200000	1	LIN-PIA-IMD-QTY-FTX-SG53
	1060	IMD	C	99	2	Item description

Standard			Implementation	
Tag	Name	St Format	St Format	Usage / Remark
IMD				
7077	Item description type, coded	C an..3	C an..3	A Free-form long description
C272	Item characteristic	C	C	
3055	Code list responsible agency code	C an..3	C an..3	91 Assigned by seller or seller's agent 92 Assigned by buyer or buyer's agent
C273	Item description	C	C	
7008	Item description	C an..256	C an..256	Material free text description

Remark:

Example:

IMD+A+::91+:::Steelpiston 200mm'

No = Consecutive segment number
 MaxOcc = Maximum occurrence of the segment/group
 Counter = Counter of segment/group within the standard

St = Status
 EDIFACT: M=Mandatory, C=Conditional
 User specific: R=Required, O=Optional, D=Dependent,
 A=Advised, N=Not used

Segments

Counter	No	Tag	St	MaxOcc	Level	Name
	1030	SG28	C	200000	1	LIN-PIA-IMD-QTY-FTX-SG53
	1080	QTY	C	99	2	Quantity

Standard			Implementation	
Tag	Name	St Format	St Format	Usage / Remark
QTY				
C186	Quantity details	M	M	
6063	Quantity type code qualifier	M an..3	M an..3	21 Ordered quantity
6060	Quantity	M an..35	M an..35	Quantity
6411	Measurement unit code	C an..3	C an..3	EA each

Remark:

Example:

QTY+21:7:EA'

No = Consecutive segment number
 MaxOcc = Maximum occurrence of the segment/group
 Counter = Counter of segment/group within the standard

St = Status
 EDIFACT: M=Mandatory, C=Conditional
 User specific: R=Required, O=Optional, D=Dependent,
 A=Advised, N=Not used

Segments

Counter	No	Tag	St	MaxOcc	Level	Name
1030		SG28	C	200000	1	LIN-PIA-IMD-QTY-FTX-SG53
1190	40	FTX	C	99	2	Free text

Standard			Implementation	
Tag	Name	St Format	St Format	Usage / Remark
FTX				
4451	Text subject code qualifier	M an..3	M an..3	AAI General information
C108	Text literal	C	C	
4440	Free text value	M an..512	M an..512	Free text literal

Remark:

Example:

FTX+AAI+++Handle with care'

No = Consecutive segment number
 MaxOcc = Maximum occurrence of the segment/group
 Counter = Counter of segment/group within the standard

St = Status
 EDIFACT: M=Mandatory, C=Conditional
 User specific: R=Required, O=Optional, D=Dependent,
 A=Advised, N=Not used

Segments

Counter	No	Tag	St	MaxOcc	Level	Name
	1030	SG28	C	200000	1	LIN-PIA-IMD-QTY-FTX-SG53
	1190 41	FTX	C	99	2	Free text

Standard			Implementation	
Tag	Name	St Format	St Format	Usage / Remark
FTX				
4451	Text subject code qualifier	M an..3	M an..3	ZZZ Mutually defined
C107	Text reference	C	C	This DEG only occurs if DE4451 has the value ZZZ.
4441	Free text value code	M an..17	M an..17	COMMIS Commission specification (additional order SION customer reference)
C108	Text literal	C	C	
4440	Free text value	M an..512	M an..512	

Remark:

Example:

FTX+ZZZ++COMMISSION+Spare part chainsaw for my customer John Smith'

No = Consecutive segment number
 MaxOcc = Maximum occurrence of the segment/group
 Counter = Counter of segment/group within the standard

St = Status
 EDIFACT: M=Mandatory, C=Conditional
 User specific: R=Required, O=Optional, D=Dependent,
 A=Advised, N=Not used

Segments

Counter	No	Tag	St	MaxOcc	Level	Name
	1030	SG28	C	200000	1	LIN-PIA-IMD-QTY-FTX-SG53
	1190 42	FTX	C	99	2	Free text

Standard			Implementation	
Tag	Name	St Format	St Format	Usage / Remark
FTX				
4451	Text subject code qualifier	M an..3	M an..3	ZZZ Mutually defined
C107	Text reference	C	C	This DEG only occurs if DE4451 has the value ZZZ.
4441	Free text value code	M an..17	M an..17	WARLOC Warehouse location This information can be used to transmit information about the customer warehouse location. Any information submitted here will be printed on the package label. It can be helpful to have a faster goods-in process on the customer's warehouse. Only used for spare parts and accessories. Only used when ordering with a STIHL manufacturing site (not a country specific sales company)
C108	Text literal	C	C	
4440	Free text value	M an..512	M an..512	

Remark:

Example:

FTX+ZZZ++WARLOC+15D38JV-1 '

No = Consecutive segment number
MaxOcc = Maximum occurrence of the segment/group
Counter = Counter of segment/group within the standard

St = Status
EDIFACT: M=Mandatory, C=Conditional
User specific: R=Required, O=Optional, D=Dependent,
A=Advised, N=Not used

Segments

Counter	No	Tag	St	MaxOcc	Level	Name
2090		SG53	C	1	2	SCC-SG54
2100	43	SCC	M	1	2	Scheduling conditions

Standard			Implementation	
Tag	Name	St Format	St Format	Usage / Remark
SCC				
4017	Delivery plan commitment level code	M an..3	M an..3	12 Planning
4493	Delivery instruction, coded	C an..3	C an..3	DD Deliver on date

Remark:

Example:

SCC+12+DD'

No = Consecutive segment number
 MaxOcc = Maximum occurrence of the segment/group
 Counter = Counter of segment/group within the standard

St = Status
 EDIFACT: M=Mandatory, C=Conditional
 User specific: R=Required, O=Optional, D=Dependent,
 A=Advised, N=Not used

Segments

Counter	No	Tag	St	MaxOcc	Level	Name
	2130	SG54	C	1	3	QTY-DTM
	2140	44 QTY	M	1	3	Quantity

Standard			Implementation	
Tag	Name	St Format	St Format	Usage / Remark
QTY				
C186	Quantity details	M	M	
6063	Quantity type code qualifier	M an..3	M an..3	21 Ordered quantity
6060	Quantity	M an..35	M an..35	
6411	Measurement unit code	C an..3	C an..3	EA each

Remark:

The quantity sum of all QTY iterations of this SCC group has to make up the same value like the quantity in SG 28 QTY. As the SCC group currently can loop only once the segment SG 54 QTY is the same as SG28 QTY.

Example:

QTY+21:7:EA'

No = Consecutive segment number
 MaxOcc = Maximum occurrence of the segment/group
 Counter = Counter of segment/group within the standard

St = Status
 EDIFACT: M=Mandatory, C=Conditional
 User specific: R=Required, O=Optional, D=Dependent,
 A=Advised, N=Not used

Segments

Counter	No	Tag	St	MaxOcc	Level	Name
	2130	SG54	C	1	3	QTY-DTM
	2150	45 DTM	C	1	4	Date/time/period

Standard			Implementation	
Tag	Name	St Format	St Format	Usage / Remark
DTM				
C507	Date/time/period	M	M	
2005	Date/time/period function code qualifier	M an..3	M an..3	2 Delivery date/time, requested
2380	Date/time/period value	C an..35	C an..35	
2379	Date/time/period format code	C an..3	C an..3	102 CCYYMMDD

Remark:

Use this segment only if the date time is not the same for all line items. If they are the same please refer to DTM with qualifier 2 on head level.

Example:

DTM+2:20080905:102'

No = Consecutive segment number
MaxOcc = Maximum occurrence of the segment/group
Counter = Counter of segment/group within the standard

St = Status
EDIFACT: M=Mandatory, C=Conditional
User specific: R=Required, O=Optional, D=Dependent,
A=Advised, N=Not used

Segments

Counter	No	Tag	St	MaxOcc	Level	Name
2320	46	UNS	M	1	0	Section control

Standard			Implementation	
Tag	Name	St Format	St Format	Usage / Remark
UNS				
0081	Section identification	M a1	M a1	S Detail/summary section separation

Remark:

Example:

UNS+S'

No = Consecutive segment number
 MaxOcc = Maximum occurrence of the segment/group
 Counter = Counter of segment/group within the standard

St = Status
 EDIFACT: M=Mandatory, C=Conditional
 User specific: R=Required, O=Optional, D=Dependent,
 A=Advised, N=Not used

Segments

Counter	No	Tag	St	MaxOcc	Level	Name
2340	47	CNT	C	10	1	Control total

Standard			Implementation	
Tag	Name	St Format	St Format	Usage / Remark
CNT				
C270	Control	M	M	
6069	Control total type code qualifier	M an..3	M an..3	2 Number of line items in message
6066	Control value	M n..18	M n..18	
6411	Measurement unit code	C an..3	C an..3	EA each

Remark:

Example:

CNT+2:3:EA'

No = Consecutive segment number
 MaxOcc = Maximum occurrence of the segment/group
 Counter = Counter of segment/group within the standard

St = Status
 EDIFACT: M=Mandatory, C=Conditional
 User specific: R=Required, O=Optional, D=Dependent,
 A=Advised, N=Not used

Segments

Counter	No	Tag	St	MaxOcc	Level	Name
2390	48	UNT	M	1	0	Message trailer

Standard			Implementation	
Tag	Name	St Format	St Format	Usage / Remark
UNT				
0074	Number of segments in a message	M n..10	M n..10	
0062	Message reference number	M an..14	M an..14	

Remark:

Example:

UNT+45+89'

No = Consecutive segment number
 MaxOcc = Maximum occurrence of the segment/group
 Counter = Counter of segment/group within the standard

St = Status
 EDIFACT: M=Mandatory, C=Conditional
 User specific: R=Required, O=Optional, D=Dependent,
 A=Advised, N=Not used

Segments

Counter	No	Tag	St	MaxOcc	Level	Name
0000	49	UNZ	M	1	0	Interchange trailer

Standard			Implementation	
Tag	Name	St Format	St Format	Usage / Remark
UNZ				
0036	Interchange control count	M n..6	M n..6	
0020	Interchange control reference	M an..14	M an..14	

Remark:

Example:

UNZ+1+1234'

No = Consecutive segment number
 MaxOcc = Maximum occurrence of the segment/group
 Counter = Counter of segment/group within the standard

St = Status
 EDIFACT: M=Mandatory, C=Conditional
 User specific: R=Required, O=Optional, D=Dependent,
 A=Advised, N=Not used

ORDERS
Sample message

Purchase order message



No	Tag	Example
01	UNB	UNB+UNOC:4+CUSTOMER:ZZZ+STIHL:ZZZ+20081006:1234+1234'
02	UNH	UNH+89+ORDERS:D:99B:UN'
03	BGM	BGM+220+579534+9'
04	DTM	DTM+4:20080302:102'
05	DTM	DTM+2:20080401:102'
06	DTM	DTM+10:20080401:102'
07	FTX	FTX+ZZZ++SHOPONUSCODE+1'
08	FTX	FTX+ZZZ++ORDTYP+Z01'
	SG1	
09	RFF	RFF+VN:5945413/01'
10	DTM	DTM+137:20070801:102'
	SG1	
11	RFF	RFF+CO:0000108583'
12	DTM	DTM+137:20070801:102'
	SG2	
13	NAD	NAD+BY+9000129123::91++MAHLE AG:Plant 1+Wilhelmastrasse 14+Stuttgart +::Baden-Württemberg+71336+DE'
	SG5	
14	CTA	CTA+PD+:Peter Maier'
15	COM	COM+07151-26-0:TE'
16	COM	COM+peter.maier@stihl.de:EM'
17	COM	COM+07151-26-875:FX'
	SG2	
18	NAD	NAD+DP+68773323::91++Chilag AG:Plant 1+Munotstrasse 12+Schaffhausen+ ::Schaffhausen+8064+CH'
	SG5	
19	CTA	CTA+GR+:Hans Schmidt'
20	COM	COM+01751-456-123:TE'
21	COM	COM+hans.schmidt@chilag.ch:EM'
22	COM	COM+022736-12-24321:FX'
	SG2	
23	NAD	NAD+IV+901281826::91++Alcatel-Lucent AG:Plant 4+Rue de la Concorde 1 2+Le Mans+::Department 23+82389+FR'
	SG5	
24	CTA	CTA+AD+:Harald Kaeufer'
25	COM	COM+07151-26-8765:TE'
26	COM	COM+harald.kaeufer@alcatel.de:EM'
27	COM	COM+01234-123-123:FX'
	SG2	
28	NAD	NAD+SU+901827333::92++Andreas STIHL AG & Co. KG:Plant 1+Badstrasse 1 15+Waiblingen+::Baden-Württemberg+71336+DE'
	SG5	
29	CTA	CTA+SR+:Walter Sobchak'
30	COM	COM+01765-123-12345:TE'
31	COM	COM+walter.sobchak@trumpf.com:EM'
32	COM	COM+012378123-123:FX'
	SG7	
33	CUX	CUX+1:EUR:9'
	SG10	
34	TDT	TDT+20++:STANDARD+:TRUCK+:::Dachser'

No = Consecutive segment number

Sample message

No	Tag	Example
	SG12	
35	TOD	TOD+6++EXW:::Waiblingen Incoterms 2000'
	SG28	
36	LIN	LIN+1++3RPR345K54:BP'
37	PIA	PIA+1+11243434234:SA'
38	IMD	IMD+A+:::91+:::Steelpiston 200mm'
39	QTY	QTY+21:7:EA'
40	FTX	FTX+AAI+++Handle with care'
41	FTX	FTX+ZZZ++COMMISSION+Spare part chainsaw for my customer John Smith'
42	FTX	FTX+ZZZ++WARLOC+15D38JV-1'
	SG53	
43	SCC	SCC+12+DD'
	SG54	
44	QTY	QTY+21:7:EA'
45	DTM	DTM+2:20080905:102'
46	UNS	UNS+S'
47	CNT	CNT+2:3:EA'
48	UNT	UNT+45+89'
49	UNZ	UNZ+1+1234'

No = Consecutive segment number

Permitted Codes of Data elements

List of permitted codes of data elements / code lists

0001 Syntax identifier

Code	Name/Description
UNOA	UN/ECE level A As defined in the basic code table of ISO 646 with the exceptions of lower case letters, alternative graphic character allocations and national or application-oriented graphic character allocations.
UNOB	UN/ECE level B As defined in the basic code table of ISO 646 with the exceptions of alternative graphic character allocations and national or application-oriented graphic character allocations.
UNOC	UN/ECE level C As defined in ISO 8859-1 : Information processing - Part 1: Latin alphabet No. 1.
UNOD	UN/ECE level D As defined in ISO 8859-2 : Information processing - Part 2: Latin alphabet No. 2.
UNOE	UN/ECE level E As defined in ISO 8859-5 : Information processing - Part 5: Latin/Cyrillic alphabet.
UNOF	UN/ECE level F As defined in ISO 8859-7 : Information processing - Part 7: Latin/Greek alphabet.
UNOG	UN/ECE level G As defined in ISO 8859-3 : Information processing - Part 3: Latin alphabet.
UNOH	UN/ECE level H As defined in ISO 8859-4 : Information processing - Part 4: Latin alphabet.
UNOI	UN/ECE level I As defined in ISO 8859-6 : Information processing - Part 6: Latin/Arabic alphabet.
UNOJ	UN/ECE level J As defined in ISO 8859-8 : Information processing - Part 8: Latin/Hebrew alphabet.
UNOK	UN/ECE level K As defined in ISO 8859-9 : Information processing - Part 9: Latin alphabet.
UNOX	UN/ECE level X Code extension technique as defined by ISO 2022 utilising the escape techniques in accordance with ISO 2375.
UNOY	UN/ECE level Y ISO 10646-1 octet without code extension technique.

0002 Syntax version number

Code	Name/Description
1	Version 1 ISO 9735:1988.
2	Version 2 ISO 9735:1990.

3 Version 3
ISO 9735 Amendment 1:1992.

4 Version 4
ISO 9735:1998.

0007 Identification code qualifier

Code	Name/Description
1	DUNS (Dun & Bradstreet) Self explanatory.
4	IATA (International Air Transport Association) Self explanatory.
5	INSEE (Institut National de la Statistique et des Etudes Economiques) - SIRET French national statistics institute. SIRET means Systeme Informatique du Repertoire des entreprises et de leurs Etablissements.
8	UCC Communications ID (Uniform Code Council Communications Identifier) The Uniform Code Council Communications Identifier is a ten digit code used to uniquely identify physical and logical locations.
9	DUNS (Dun & Bradstreet) with 4 digit suffix Self explanatory.
12	Telephone number Self explanatory.
14	EAN (European Article Numbering Association) Self explanatory.
18	AIAG (Automotive Industry Action Group) Self explanatory.
22	INSEE (Institut National de la Statistique et des Etudes Economiques) - SIREN French national statistics institute. SIREN means Systeme Informatique du Repertoire des Entreprises (et de leurs etablissements).
30	ISO 6523: Organization identification ISO 6523, Information technology - Structure for the identification of organizations and organization parts.
31	DIN (Deutsches Institut fuer Normung) German standardization institute.
33	BfA (Bundesversicherungsanstalt fuer Angestellte) German social security association.
34	National Statistical Agency Self explanatory.
51	GEIS (General Electric Information Services) Self explanatory.
52	INS (IBM Network Services) Self explanatory.
53	Datenzentrale des Einzelhandels German data centre for retail trade.
54	Bundesverband der Deutschen Baustoffhaendler

	German building material trade association.
55	Bank identifier code Self explanatory.
57	KTNet (Korea Trade Network Services) Self explanatory.
58	UPU (Universal Postal Union) Self explanatory.
59	ODETTE (Organization for Data Exchange through Tele-Transmission in Europe) European automotive industry project.
61	SCAC (Standard Carrier Alpha Code) Directory of standard multimodal carriers and tariff agent codes. The SCAC lists and codes transportation companies.
63	ECA (Electronic Commerce Australia) Australian association for electronic commerce.
65	TELEBOX 400 (Deutsche Telekom) German telecommunications service.
80	NHS (National Health Service) United Kingdom National Health Service.
82	Statens Teleforvaltning Norwegian telecommunications regulatory authority (NTRA).
84	Athens Chamber of Commerce Greek Chamber of Commerce.
85	Swiss Chamber of Commerce Swiss Chamber of Commerce.
86	US Council for International Business United States Council for International Business.
87	National Federation of Chambers of Commerce and Industry Belgium National Federation of Chambers of Commerce and Industry.
89	Association of British Chambers of Commerce Association of British Chambers of Commerce.
90	SITA (Societe Internationale de Telecommunications Aeronautiques) SITA (Societe Internationale de Telecommunications Aeronautiques).
91	Assigned by seller or seller's agent Self explanatory.
92	Assigned by buyer or buyer's agent Self explanatory.
103	TW, Trade-van Trade-van is an EDI VAN service center for customs, transport, and insurance in national and international trade.
128	BCNR (Telekurs Banken Clearing Number) Swiss national bank number assigned by Telekurs AG for the purpose of identifying a non-clearing banking institution.
129	BPI (Telekurs Business Partner Identification) Swiss national business number assigned by Telekurs AG for the purpose of identifying a non-clearing banking institution.

ZZZ Mutually defined
Self explanatory.

0051 Controlling agency, coded

Code	Name/Description
UN	UN/CEFACT United Nations Centre for the Facilitation of procedures and practices for Administration, Commerce and Transport (UN/CEFACT).

0052 Message version number

Code	Name/Description
D	Draft version/UN/EDIFACT Directory Message approved and issued as a draft message (Valid for directories published after March 1993 and prior to March 1997). Message approved as a standard message (Valid for directories published after March 1997).

0054 Message release number

Code	Name/Description
99B	Release 1999 - B Message approved and issued in the second 1999 release of the UNTDID (United Nations Trade Data Interchange Directory).

0065 Message type

Code	Name/Description
ORDERS	Purchase order message A code to identify the purchase order message.

0081 Section identification

Code	Name/Description
S	Detail/summary section separation To qualify the segment UNS, when separating the detail from the summary section of a message.

1001 Document name code

Code	Name/Description
220	Order Document/message by means of which a buyer initiates a transaction with a seller involving the supply of goods or services as specified, according to conditions set out in an offer, or otherwise known to the buyer.

ZKE

ZKR

1153 Reference function code qualifier

Code	Name/Description
CO	Buyers order number [1022] Reference number assigned by the buyer to an order.
VN	Order number (vendor) Reference number assigned by supplier to a buyer's purchase order.

1225 Message function code

Code	Name/Description
9	Original Initial transmission related to a given transaction.

2005 Date/time/period function code qualifier

Code	Name/Description
2	Delivery date/time, requested Date on which buyer requests goods to be delivered.
4	Order date/time [2010] Date when an order is issued.
10	Shipment date/time, requested Date on which goods should be shipped or despatched by the supplier.
137	Document/message date/time (2006) Date/time when a document/message is issued. This may include authentication.

2379 Date/time/period format code

Code	Name/Description
102	CCYYMMDD Calendar date: C = Century ; Y = Year ; M = Month ; D = Day.

3035 Party function code qualifier

Code	Name/Description
BY	Buyer (3002) Party to which merchandise is sold.
DP	Delivery party (3144) Party to which goods should be delivered, if not identical with consignee.
IV	Invoicee

(3006) Party to whom an invoice is issued.

SU Supplier
 (3280) Party which manufactures or otherwise has possession of goods, and consigns or makes them available in trade.

3055 Code list responsible agency code

Code	Name/Description
9	EAN (International Article Numbering association) Self explanatory.
91	Assigned by seller or seller's agent Self explanatory.
92	Assigned by buyer or buyer's agent Self explanatory.

3139 Contact function code

Code	Name/Description
AD	Accounting contact The contact responsible for accounting matters.
GR	Goods receiving contact Department/person responsible for receiving the goods at the place of delivery.
PD	Purchasing contact Department/person responsible for issuing this purchase order.
SR	Sales representative or department The sales representative or department contact within an organization.

3155 Communication number code qualifier

Code	Name/Description
EM	Electronic mail Exchange of mail by electronic means.
FX	Telefax Device used for transmitting and reproducing fixed graphic material (as printing) by means of signals over telephone lines or other electronic transmission media.
TE	Telephone Voice/data transmission by telephone.

3207 Country name code

Code	Name/Description
AD	ANDORRA
AE	UNITED ARAB EMIRATES
AF	AFGHANISTAN

AG	ANTIGUA AND BARBUDA
AI	ANGUILLA
AL	ALBANIA
AM	ARMENIA
AN	NETHERLANDS ANTILES
AO	ANGOLA
AQ	ANTARCTICA
AR	ARGENTINA
AS	AMERICAN SAMOA
AT	AUSTRIA
AU	AUSTRALIA
AW	ARUBA
AZ	AZERBAIJAN
BA	BOSNIA AND HERZEGOVINA
BB	BARBADOS
BD	BANGLADESH
BE	BELGIUM
BF	BURKINA FASO
BG	BULGARIA
BH	BAHRAIN
BI	BURUNDI
BJ	BENIN
BM	BERMUDA
BN	BRUNEI DARUSSALAM
BO	BOLIVIA
BR	BRAZIL
BS	BAHAMAS
BT	BHUTAN
BV	BOUVET ISLAND
BW	BOTSWANA
BY	BELARUS
BZ	BELIZE
CA	CANADA
CC	COCOS (KEELING) ISLANDS

CF	CENTRAL AFRICAN REPUBLIC
CG	CONGO
CH	SWITZERLAND
CI	COTE D'IVOIRE
CK	COOK ISLANDS
CL	CHILE
CM	CAMEROON
CN	CHINA
CO	COLOMBIA
CR	COSTA RICA
CU	CUBA
CV	CAPE VERDE
CX	CHRISTMAS ISLAND
CY	CYPRUS
CZ	CZECH REPUBLIC
DE	GERMANY
DJ	DJIBOUTI
DK	DENMARK
DM	DOMINICA
DO	DOMINICAN REPUBLIC
DZ	ALGERIA
EC	ECUADOR
EE	ESTONIA
EG	EGYPT
EH	WESTERN SAHARA
ER	ERITREA
ES	SPAIN
ET	ETHIOPIA
FI	FINLAND
FJ	FIJI
FK	FALKLAND ISLANDS (MALVINAS)
FM	MICRONESIA (FEDERATED STATES OF)
FO	FAROE ISLANDS
FR	FRANCE

FX	FRANCE, METROPOLITAN
GA	GABON
GB	UNITED KINGDOM
GD	GRENADA
GE	GEORGIA
GF	FRENCH GUIANA
GH	GHANA
GI	GIBRALTAR
GL	GREENLAND
GM	GAMBIA
GN	GUINEA
GP	GUADELOUPE
GQ	EQUATORIAL GUINEA
GR	GREECE
GS	SOUTH GEORGIA AND THE SOUTH SANDWICH ISLANDS
GT	GUATEMALA
GU	GUAM
GW	GUINEA-BISSAU
GY	GUYANA
HK	HONG KONG
HM	HEARD AND MC DONALD ISLANDS
HN	HONDURAS
HR	CROATIA
HT	HAITI
HU	HUNGARY
ID	INDONESIA
IE	IRELAND
IL	ISRAEL
IN	INDIA
IO	BRITISH INDIAN OCEAN TERRITORY
IQ	IRAQ
IR	IRAN (ISLAMIC REPUBLIC OF)
IS	ICELAND
IT	ITALY

JM	JAMAICA
JO	JORDAN
JP	JAPAN
KE	KENYA
KG	KYRGYZSTAN
KH	CAMBODIA
KI	KIRIBATI
KM	COMOROS
KN	SAINT KITTS AND NEVIS
KP	KOREA, DEMOCRATIC PEOPLE'S REPUBLIC OF
KR	KOREA, REPUBLIC OF
KW	KUWAIT
KY	CAYMAN ISLANDS
KZ	KAZAKHSTAN
LA	LAO PEOPLE'S DEMOCRATIC REPUBLIC
LB	LEBANON
LC	SAINT LUCIA
LI	LIECHTENSTEIN
LK	SRI LANKA
LR	LIBERIA
LS	LESOTHO
LT	LITHUANIA
LU	LUXEMBOURG
LV	LATVIA
LY	LIBYAN ARAB JAMAHIRIYA
MA	MOROCCO
MC	MONACO
MD	MOLDOVA
MG	MADAGASCAR
MH	MARSHALL ISLANDS
MK	MACEDONIA, THE FORMER YUGOSLAV REPUBLIC OF
ML	MALI
MM	MYANMAR
MN	MONGOLIA

MO	MACAU
MP	NORTHERN MARIANA ISLANDS
MQ	MARTINIQUE
MR	MAURITANIA
MS	MONTSERRAT
MT	MALTA
MU	MAURITIUS
MV	MALDIVES
MW	MALAWI
MX	MEXICO
MY	MALAYSIA
MZ	MOZAMBIQUE
NA	NAMIBIA
NC	NEW CALEDONIA
NE	NIGER
NF	NORFOLK ISLAND
NG	NIGERIA
NI	NICARAGUA
NL	NETHERLANDS
NO	NORWAY
NP	NEPAL
NR	NAURU
NU	NIUE
NZ	NEW ZEALAND
OM	OMAN
PA	PANAMA
PE	PERU
PF	FRENCH POLYNESIA
PG	PAPUA NEW GUINEA
PH	PHILIPPINES
PK	PAKISTAN
PL	POLAND
PM	ST. PIERRE AND MIQUELON
PN	PITCAIRN

PR	PUERTO RICO
PT	PORTUGAL
PW	PALAU
PY	PARAGUAY
QA	QATAR
RE	REUNION
RO	ROMANIA
RU	RUSSIA
RW	RWANDA
SA	SAUDI ARABIA
SB	SOLOMON ISLANDS
SC	SEYCHELLES
SD	SUDAN
SE	SWEDEN
SG	SINGAPORE
SH	ST. HELENA
SI	SLOVENIA
SJ	SVALBARD AND JAN MAYEN ISLANDS
SK	SLOVAKIA (SLOVAK REPUBLIC)
SL	SIERRA LEONE
SM	SAN MARINO
SN	SENEGAL
SO	SOMALIA
SR	SURINAME
ST	SAO TOME AND PRINCIPE
SV	EL SALVADOR
SY	SYRIAN ARAB REPUBLIC
SZ	SWAZILAND
TC	TURKS AND CAICOS ISLANDS
TD	CHAD
TF	FRENCH SOUTHERN TERRITORIES
TG	TOGO
TH	THAILAND
TJ	TAJIKISTAN

TK	TOKELAU
TM	TURKMENISTAN
TN	TUNISIA
TO	TONGA
TP	EAST TIMOR
TR	TURKEY
TT	TRINIDAD AND TOBAGO
TV	TUVALU
TW	TAIWAN, PROVINCE OF CHINA
TZ	TANZANIA, UNITED REPUBLIC OF
UA	UKRAINE
UG	UGANDA
UM	UNITED STATES MINOR OUTLYING ISLANDS
US	UNITED STATES
UY	URUGUAY
UZ	UZBEKISTAN
VA	VATICAN CITY STATE (HOLY SEE)
VC	SAINT VINCENT AND THE GRENADINES
VE	VENEZUELA
VG	VIRGIN ISLANDS (BRITISH)
VI	VIRGIN ISLANDS (U.S.)
VN	VIET NAM
VU	VANUATU
WF	WALLIS AND FUTUNA ISLANDS
WS	SAMOA
YE	YEMEN
YT	MAYOTTE
YU	YUGOSLAVIA
ZA	SOUTH AFRICA
ZM	ZAMBIA
ZR	ZAIRE
ZW	ZIMBABWE

4017 Delivery plan commitment level code

Code	Name/Description
12	Planning Description to be provided.

4053 Delivery or transport terms description code

Code	Name/Description
1	Delivery arranged by the supplier Indicates that the supplier will arrange delivery of the goods.
2	Delivery arranged by logistic service provider Code indicating that the logistic service provider has arranged the delivery of goods.
CFR	Cost & Freight
CIF	Cost, Insurance, Freight to named destination
CIP	Freight, Carriage, Insurance to destination
CPT	Freight, Carriage paid to destination
DAF	Delivery at frontier - Named place
DDP	Delivered duty paid to destination
DDU	Delivered duty unpaid to destination
DEQ	Delivered Ex Quay - Duty paid, Named port
DES	Delivered Ex ship - Named port of destination
EXW	Ex works
FAS	Free alongside ship
FCA	Free carrier - Named point
FOA	FOB Airport - Named airport of departure
FOB	Free on Board - Named port of shipment
FOR	Free on Rail - Named departure point

4055 Terms of delivery or transport function, coded

Code	Name/Description
6	Delivery condition Specifies the conditions under which the goods must be delivered to the consignee.

4347 Product id. function qualifier

Code	Name/Description
1	Additional identification Information which specifies and qualifies product identifications.

4441 Free text value code

Code	Name/Description
COMMISSION	
ORDTYP	
SHOPONUSCODE	
WARLOC	

4451 Text subject code qualifier

Code	Name/Description
AAI	General information Self explanatory.
ZZZ	Mutually defined Note contains information mutually defined by trading partners.

4493 Delivery instruction, coded

Code	Name/Description
DD	Deliver on date An order should be delivered exactly on specified date.

6063 Quantity type code qualifier

Code	Name/Description
21	Ordered quantity The quantity which has been ordered.

6069 Control total type code qualifier

Code	Name/Description
2	Number of line items in message Self-explanatory.

6343 Currency qualifier

Code	Name/Description
9	Order currency The name or symbol of the monetary unit used in an order.

6345 Currency identification code

Code	Name/Description
------	------------------

ADP	Andorran Peseta
AED	UAE Dirham
AFA	Afghani
ALL	Lek
AMD	Armenian Dram
ANG	Netherlands Antillian Guilder
AOK	Kwanza
AON	New Kwanza
AOR	Kwanza Reajustado
ARA	Austral
ARS	Argentine Peso
ATS	Schilling
AUD	Australian Dollar
AWG	Aruban Guilder
AZM	Azerbaijani Manat
BAD	Dinar
BBD	Barbados Dollar
BDT	Taka
BEC	Belgian Franc (convertible)
BEF	Belgian Franc
BEL	Belgian Franc (financial)
BGL	Lev
BHD	Bahraini Dinar
BIF	Burundi Franc
BMD	Bermudian Dollar (customarily: Bermuda Dollar)
BND	Brunei Dollar
BOB	Boliviano
BOV	Mvdol
BRC	Cruzado
BRL	Brazilian Real
BSD	Bahamian Dollar
BTN	Ngultrum
BUK	Kyat
BWP	Pula

BYB	Belarussian Ruble
BZD	Belize Dollar
CAD	Canadian Dollar
CDF	Franc Congolais
CHF	Swiss Franc
CLF	Unidades de Formento
CLP	Chilean Peso
CNY	Yuan Renminbi
COP	Colombian Peso
CRC	Costa Rican Colon
CUP	Cuban Peso
CVE	Cape Verde Escudo
CYP	Cyprus Pound
CZK	Czech Koruna
DEM	Deutsche Mark
DJF	Djibouti Franc
DKK	Danish Krone
DOP	Dominican Peso
DZD	Algerian Dinar
ECS	Sucre
ECV	Unidad de Valor Constante (UVC)
EEK	Kroon
EGP	Egyptian Pound
ERN	Nakfa
ESP	Spanish Peseta
ETB	Ethopian Birr
EUR	<p>Euro</p> <p>On 1 January 1999, the euro will become the currency of those Member states of the European Union which adopt the single currency in accordance with the Treaty establishing the European Community. This code has been issued now so that technical preparations can be started. The code element 'EU' has been reserved by the ISO 3166 Maintenance Agency for use within ISO 4217 where 'R' has been appended to make an acceptable mnemonic code.</p>
FIM	Markka
FJD	Fiji Dollar
FKP	Falkland Islands Pound
FRF	French Franc

GBP	Pound Sterling
GEL	Lari
GHC	Cedi
GIP	Gibraltar Pound
GMD	Dalasi
GNF	Guinea Franc
GRD	Drachma
GTQ	Quetzal
GWP	Guinea-Bissau Peso
GYD	Guyana Dollar
HKD	Honk Kong Dollar
HNL	Lempira
HRK	Kuna
HTG	Gourde
HUF	Forint
IDR	Rupiah
IEP	Irish Pound
ILS	New Israeli Sheqel
INR	Indian Rupee
IQD	Iraqi Dinar
IRR	Iranian Rial
ISK	Iceland Krona
ITL	Italian Lira
JMD	Jamaican Dollar
JOD	Jordanian Dinar
JPY	Yen
KES	Kenyan Shilling
KGS	Som
KHR	Riel
KMF	Comoro Franc
KPW	North Korean Won
KRW	Won
KWD	Kuwaiti Dinar
KYD	Cayman Islands Dollar

KZT	Tenge
LAK	Kip
LBP	Lebanese Pound
LKR	Sri Lanka Rupee
LRD	Liberian Dollar
LSL	Loti
LTL	Lithuanian Litas
LUC	Luxembourg Franc (convertible)
LUF	Luxembourg Franc
LUL	Luxembourg Franc (financial)
LVL	Latvian Lats
LYD	Libyan Dinar
MAD	Moroccan Dirham
MDL	Moldovan Leu
MGF	Malagasy Franc
MKD	Denar
MNT	Tugrik
MOP	Pataca
MRO	Ouguiya
MTL	Maltese Lira
MUR	Mauritius Rupee
MVR	Rufiyaa
MWK	Kwacha
MXN	Mexican Peso
MXV	Mexican Unidad de Inversion (UDI)
MYR	Malaysian Ringgit
MZM	Metical
NAD	Namibia Dollar
NGN	Naira
NIC	Cordoba
NIO	Cordoba Oro
NLG	Netherlands Guilder
NOK	Norwegian Krone
NPR	Nepalese Rupee

NZD	New Zealand Dollar
OMR	Rial Omani
PAB	Balboa
PEI	Inti
PEN	Nuevo Sol
PGK	Kina
PHP	Philippine Peso
PKR	Pakistan Rupee
PLN	Zloty
PTE	Portuguese Escudo
PYG	Guarani
QAR	Qatari Rial
ROL	Leu
RUB	Russian Ruble
RWF	Rwanda Franc
SAR	Saudi Riyal
SBD	Solomon Islands Dollar
SCR	Seychelles Rupee
SDD	Sudanese Dinar
SEK	Swedish Krona
SGD	Singapore Dollar
SHP	St. Helena Pound
SIT	Tolar
SKK	Slovak Koruna
SLL	Leone
SOS	Somali Shilling
SRG	Suriname Guilder
STD	Dobra
SVC	El Salvador Colon
SYP	Syrian Pound
SZL	Lilangeni
THB	Baht
TJR	Tajik Ruble
TMM	Manat

TND	Tunisian Dinar
TOP	Pa'anga
TPE	Timor Escudo
TRL	Turkish Lira
TTD	Trinidad and Tobago Dollar
TWD	New Taiwan Dollar
TZS	Tanzanian Shilling
UAH	Hryvnia
UGX	Uganda Shilling
USD	US Dollar
USN	US Dollar (next day)
USS	US Dollar (same day)
UYU	Peso Uruguayo
UZS	Uzbekistan Sum
VEB	Bolivar
VND	Dong
VUV	Vatu
WST	Tala
XAF	CFA Franc BEAC
XAG	Silver
XAU	Gold
XBA	European Composite Unit (EURCO)
XBB	European Monetary Unit (E.M.U.-6)
XBC	European Unit of Account 9 (E.U.A.-9)
XBD	European Unit of Account 17 (E.U.A.-17)
XCD	East Carribean Dollar
XDR	SDR
XFO	Gold-Franc
XFU	UIC-Franc
XOF	CFA Franc BCEAO
XPB	Palladium
XPF	CFP Franc
XRE	RINET Funds Code
XTS	Code specifically reserved for testing purposes

XXX	For transactions where no currency is involved
YDD	Yemeni Dinar
YER	Yemeni Rial
YUM	New Dinar
ZAR	Rand
ZMK	Kwacha
ZRN	New Zaire
ZWD	Zimbabwe Dollar

6347 Currency details qualifier

Code	Name/Description
1	Charge payment currency The currency in which charges are to be paid.

6411 Measurement unit code

Code	Name/Description
EA	each

7077 Item description type, coded

Code	Name/Description
A	Free-form long description Long description of an item in free form.

7143 Item type identification code

Code	Name/Description
BP	Buyer's part number Reference number assigned by the buyer to identify an article.
EN	International Article Numbering Association (EAN) Number assigned to a manufacturer's product according to the International Article Numbering Association.
SA	Supplier's article number Number assigned to an article by the supplier of that article.

8051 Transport stage code qualifier

Code	Name/Description
20	Main-carriage transport The primary stage in the movement of cargo from the point of origin to the intended destination.