

EDI Implementation Documentation

EDIFACT 99B ORDERS for suppliers

based on

ORDERS

Purchase order message

UN D.99B S4

- **Structure Chart**
- **Branching Diagram**
- **Segment Details**
- **Sample Message**

Version 2

Variant 7

Issue date 18.01.2010

Structure / Table of Contents

Counter	No	Tag	St	MaxOcc	Level	Content
0000	1	UNB	M	1	0	Interchange header
0010	2	UNH	M	1	0	Message header
0020	3	BGM	M	1	0	Beginning of message
0030	4	DTM	M	35	1	Date/time/period
0070	5	FTX	C	99	1	Free text
0070	6	FTX	C	99	1	Free text
0090		SG1	C	9999	1	RFF-DTM
0100	7	RFF	M	1	1	Reference
0110	8	DTM	C	5	2	Date/time/period
0090		SG1	C	9999	1	RFF-DTM
0100	9	RFF	M	1	1	Reference
0110	10	DTM	C	5	2	Date/time/period
0090		SG1	C	9999	1	RFF-DTM
0100	11	RFF	M	1	1	Reference
0110	12	DTM	C	5	2	Date/time/period
0090		SG1	C	9999	1	RFF-DTM
0100	13	RFF	M	1	1	Reference
0110	14	DTM	C	5	2	Date/time/period
0090		SG1	C	9999	1	RFF-DTM
0100	15	RFF	M	1	1	Reference
0110	16	DTM	C	5	2	Date/time/period
0090		SG1	C	9999	1	RFF-DTM
0100	17	RFF	M	1	1	Reference
0110	18	DTM	C	5	2	Date/time/period
0120		SG2	C	99	1	NAD-SG5-SG5
0130	19	NAD	M	1	1	Name and address
0220		SG5	C	5	2	CTA-COM
0230	20	CTA	M	1	2	Contact information
0240	21	COM	C	5	3	Communication contact
0220		SG5	C	5	2	CTA-COM
0230	22	CTA	M	1	2	Contact information
0240	23	COM	C	5	3	Communication contact
0120		SG2	C	99	1	NAD-SG5
0130	24	NAD	M	1	1	Name and address
0220		SG5	C	5	2	CTA-COM
0230	25	CTA	M	1	2	Contact information
0240	26	COM	C	5	3	Communication contact
0120		SG2	C	99	1	NAD-SG5

Counter = Counter of segment/group within the standard
 No = Consecutive segment number
 MaxOcc = Maximum occurrence of the segment/group

St = Status
 EDIFACT: M=Mandatory, C=Conditional
 User specific: R=Required, O=Optional, D=Dependent,
 A=Advised, N=Not used

Structure / Table of Contents

Counter	No	Tag	St	MaxOcc	Level	Content
0130	27	NAD	M	1	1	Name and address
0220		SG5	C	5	2	CTA-COM
0230	28	CTA	M	1	2	Contact information
0240	29	COM	C	5	3	Communication contact
0120		SG2	C	99	1	NAD-SG5
0130	30	NAD	M	1	1	Name and address
0220		SG5	C	5	2	CTA-COM
0230	31	CTA	M	1	2	Contact information
0240	32	COM	C	5	3	Communication contact
0120		SG2	C	99	1	NAD-SG5
0130	33	NAD	M	1	1	Name and address
0220		SG5	C	5	2	CTA-COM
0230	34	CTA	M	1	2	Contact information
0240	35	COM	C	5	3	Communication contact
0120		SG2	C	99	1	NAD-SG5
0130	36	NAD	M	1	1	Name and address
0220		SG5	C	5	2	CTA-COM
0230	37	CTA	M	1	2	Contact information
0240	38	COM	C	5	3	Communication contact
0290		SG7	C	5	1	CUX
0300	39	CUX	M	1	1	Currencies
0410		SG10	C	10	1	TDT-SG11
0420	40	TDT	M	1	1	Details of transport
0430		SG11	C	10	2	LOC-DTM
0440	41	LOC	M	1	2	Place/location identification
0450	42	DTM	C	5	3	Date/time/period
0460		SG12	C	5	1	TOD
0470	43	TOD	M	1	1	Terms of delivery or transport
1030		SG28	C	200000	1	LIN-PIA-IMD-QTY-MOA-FTX-SG32-SG33-SG33-SG39-SG39-SG53
1040	44	LIN	M	1	1	Line item
1050	45	PIA	C	25	2	Additional product id
1060	46	IMD	C	99	2	Item description
1080	47	QTY	C	99	2	Quantity
1120	48	MOA	C	10	2	Monetary amount
1190	49	FTX	C	99	2	Free text
1310		SG32	C	25	2	PRI
1320	50	PRI	M	1	2	Price details
1370		SG33	C	9999	2	RFF-DTM

Counter = Counter of segment/group within the standard
 No = Consecutive segment number
 MaxOcc = Maximum occurrence of the segment/group

St = Status
 EDIFACT: M=Mandatory, C=Conditional
 User specific: R=Required, O=Optional, D=Dependent,
 A=Advised, N=Not used

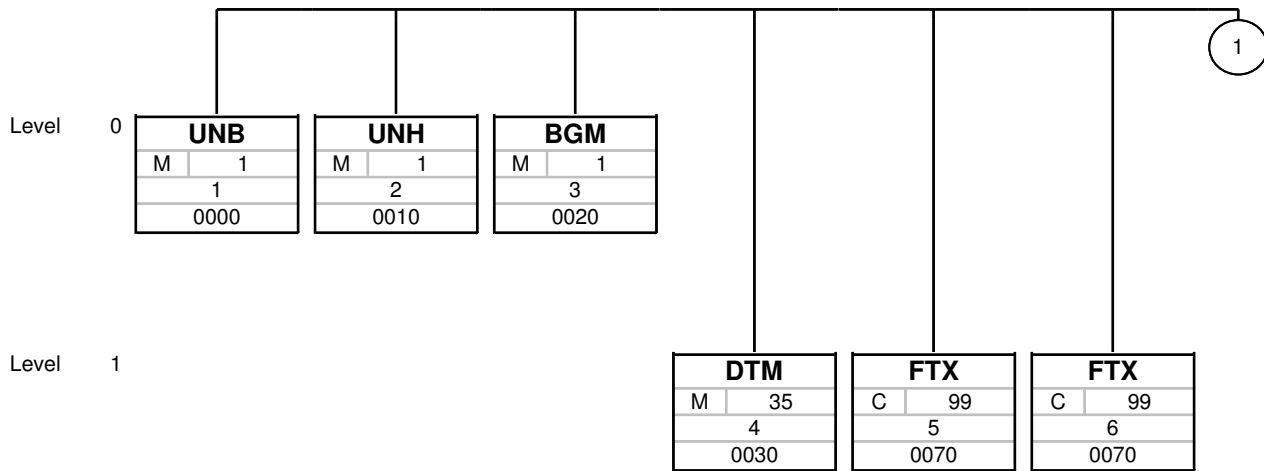
Structure / Table of Contents

Counter	No	Tag	St	MaxOcc	Level	Content
	1380	51 RFF	M	1	2	Reference
	1390	52 DTM	C	5	3	Date/time/period
	1370	SG33	C	9999	2	RFF-DTM
	1380	53 RFF	M	1	2	Reference
	1390	54 DTM	C	5	3	Date/time/period
	1640	SG39	C	999	2	NAD-SG42
	1650	55 NAD	M	1	2	Name and address
	1740	SG42	C	5	3	CTA-COM
	1750	56 CTA	M	1	3	Contact information
	1760	57 COM	C	5	4	Communication contact
	1640	SG39	C	999	2	NAD-SG42
	1650	58 NAD	M	1	2	Name and address
	1740	SG42	C	5	3	CTA-COM
	1750	59 CTA	M	1	3	Contact information
	1760	60 COM	C	5	4	Communication contact
	2090	SG53	C	100	2	SCC-SG54
	2100	61 SCC	M	1	2	Scheduling conditions
	2130	SG54	C	10	3	QTY-DTM
	2140	62 QTY	M	1	3	Quantity
	2150	63 DTM	C	5	4	Date/time/period
	2320	64 UNS	M	1	0	Section control
	2330	65 MOA	C	99	1	Monetary amount
	2340	66 CNT	C	10	1	Control total
	2390	67 UNT	M	1	0	Message trailer
	0000	68 UNZ	M	1	0	Interchange trailer

Counter = Counter of segment/group within the standard
 No = Consecutive segment number
 MaxOcc = Maximum occurrence of the segment/group

St = Status
 EDIFACT: M=Mandatory, C=Conditional
 User specific: R=Required, O=Optional, D=Dependent,
 A=Advised, N=Not used

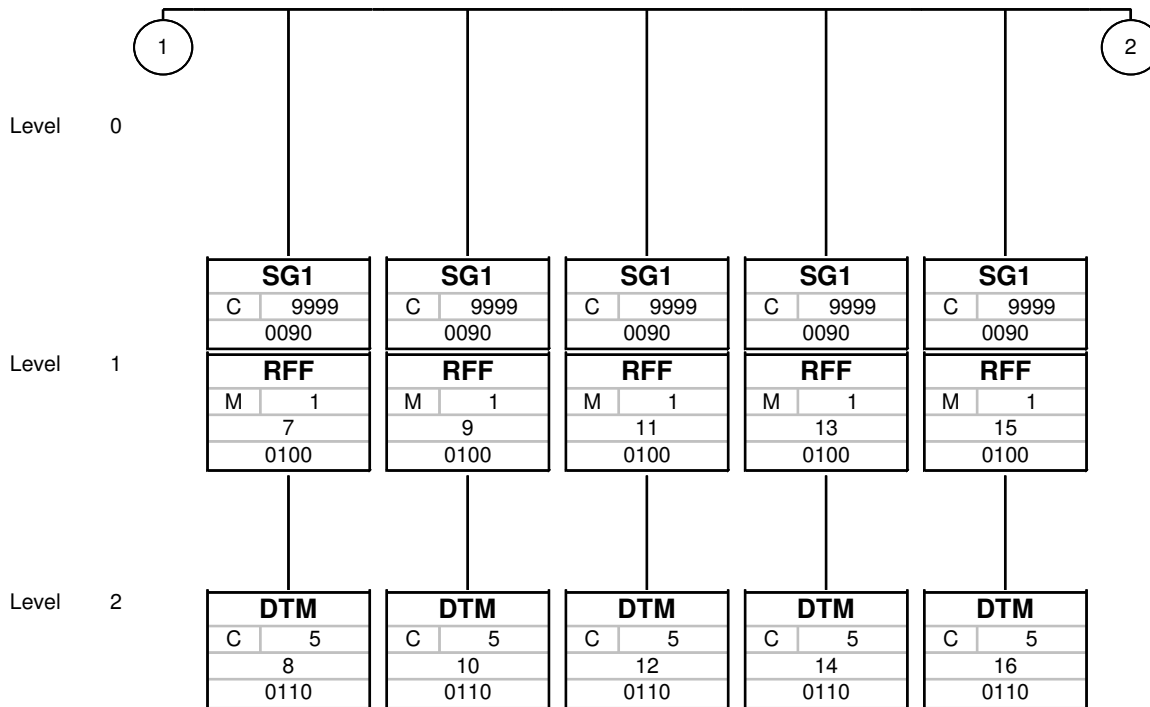
Branching Diagram of Used Segments/Groups



Tag
St MaxOcc
No
Counter

Tag = Segment/Group Tag
 St = Status (M=Mandatory, C=Conditional, R=Required, O=Optional, A=Advised, D=Dependent)
 MaxOcc = Maximum occurrence of the segment/group
 No = Consecutive segment number
 Counter = Counter of segment/group within the standard

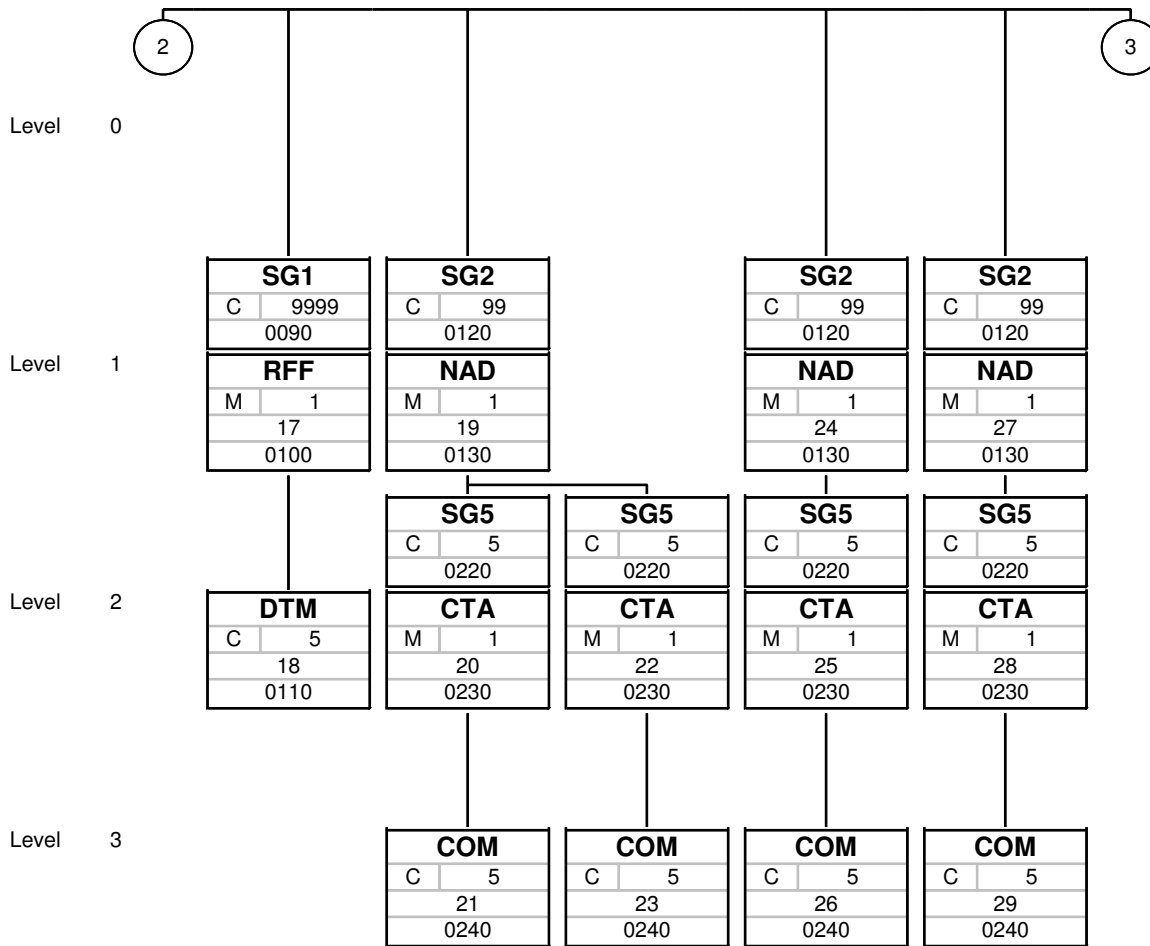
Branching Diagram of Used Segments/Groups



Tag
St MaxOcc
No
Counter

Tag = Segment/Group Tag
 St = Status (M=Mandatory, C=Conditional, R=Required, O=Optional, A=Advised, D=Dependent)
 MaxOcc = Maximum occurrence of the segment/group
 No = Consecutive segment number
 Counter = Counter of segment/group within the standard

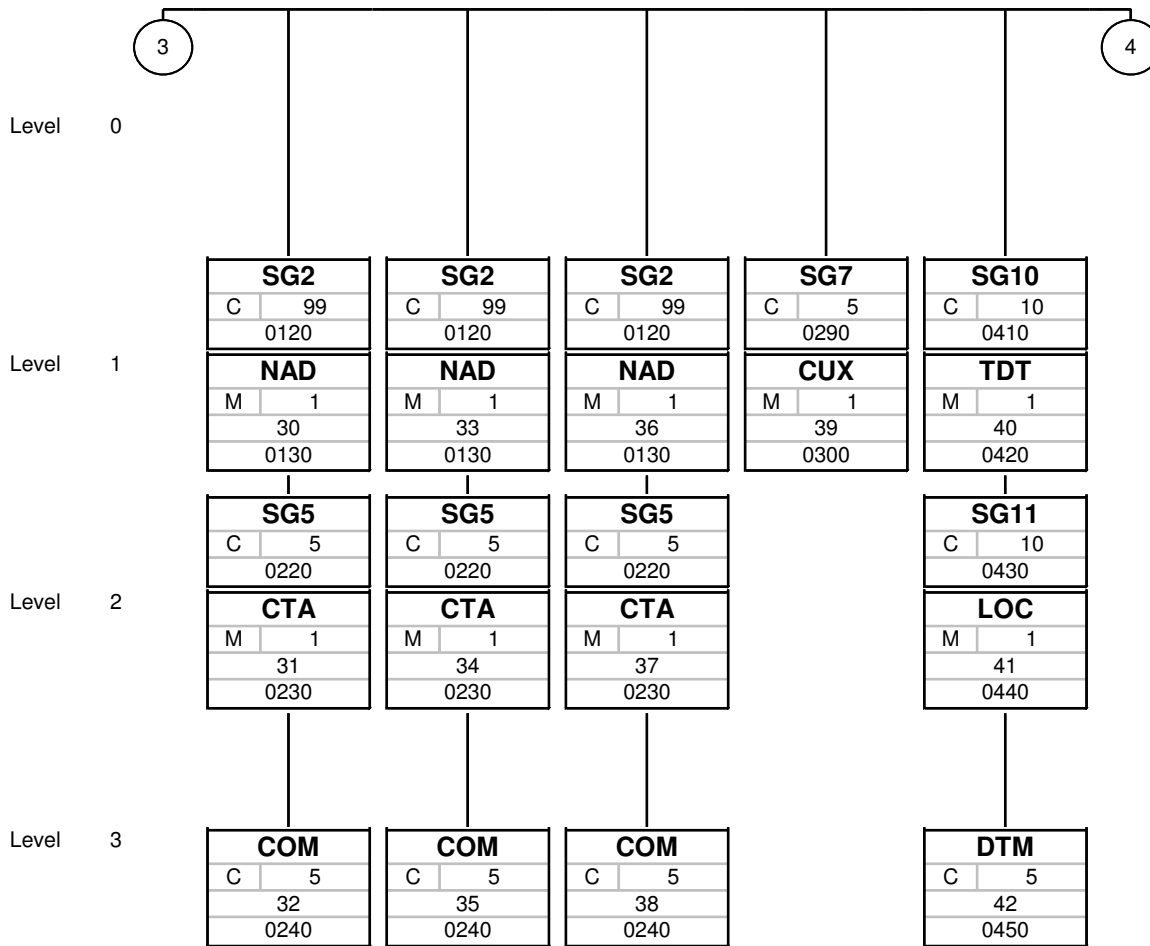
Branching Diagram of Used Segments/Groups



Tag
St MaxOcc
No
Counter

Tag = Segment/Group Tag
 St = Status (M=Mandatory, C=Conditional, R=Required, O=Optional, A=Advised, D=Dependent)
 MaxOcc = Maximum occurrence of the segment/group
 No = Consecutive segment number
 Counter = Counter of segment/group within the standard

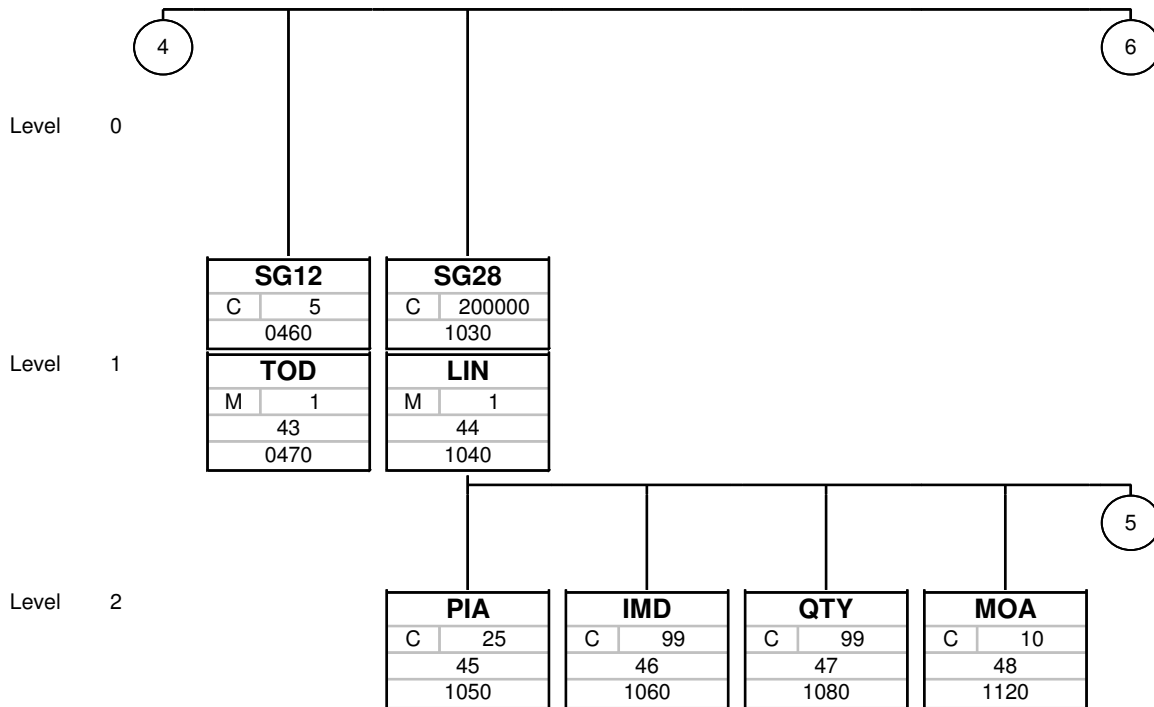
Branching Diagram of Used Segments/Groups



Tag
St MaxOcc
No
Counter

Tag = Segment/Group Tag
 St = Status (M=Mandatory, C=Conditional, R=Required, O=Optional, A=Advised, D=Dependent)
 MaxOcc = Maximum occurrence of the segment/group
 No = Consecutive segment number
 Counter = Counter of segment/group within the standard

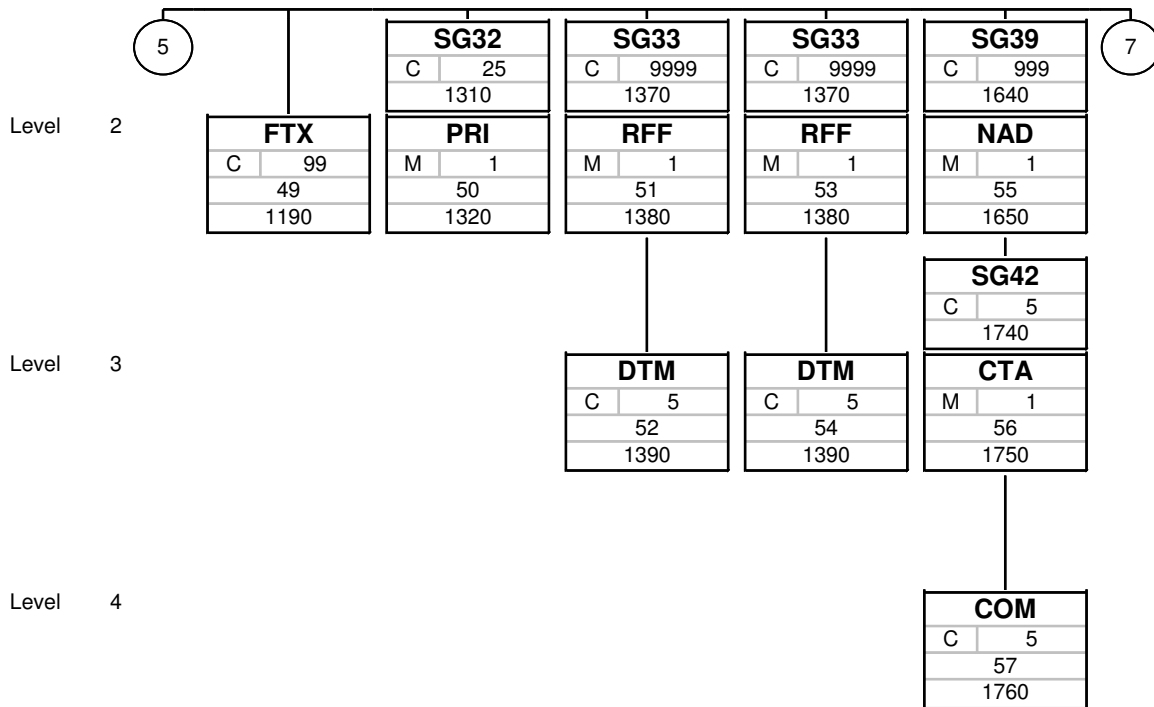
Branching Diagram of Used Segments/Groups



Tag
St MaxOcc
No
Counter

Tag = Segment/Group Tag
 St = Status (M=Mandatory, C=Conditional, R=Required, O=Optional, A=Advised, D=Dependent)
 MaxOcc = Maximum occurrence of the segment/group
 No = Consecutive segment number
 Counter = Counter of segment/group within the standard

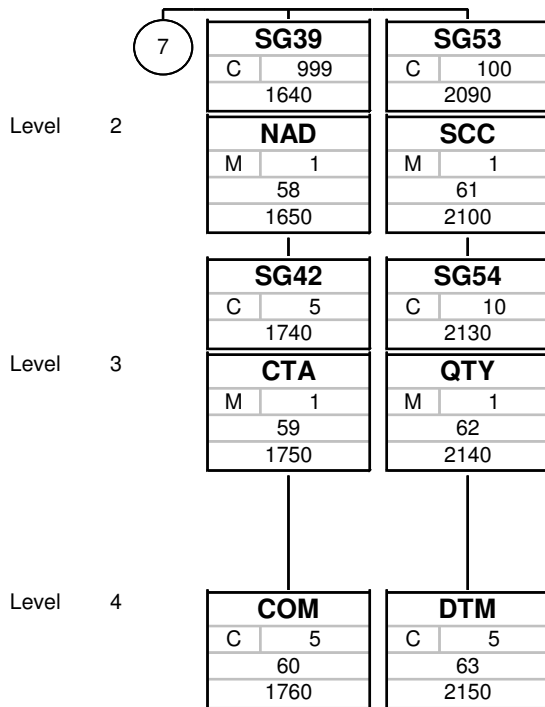
Branching Diagram of Used Segments/Groups



Tag
St MaxOcc
No
Counter

Tag = Segment/Group Tag
 St = Status (M=Mandatory, C=Conditional, R=Required, O=Optional, A=Advised, D=Dependent)
 MaxOcc = Maximum occurrence of the segment/group
 No = Consecutive segment number
 Counter = Counter of segment/group within the standard

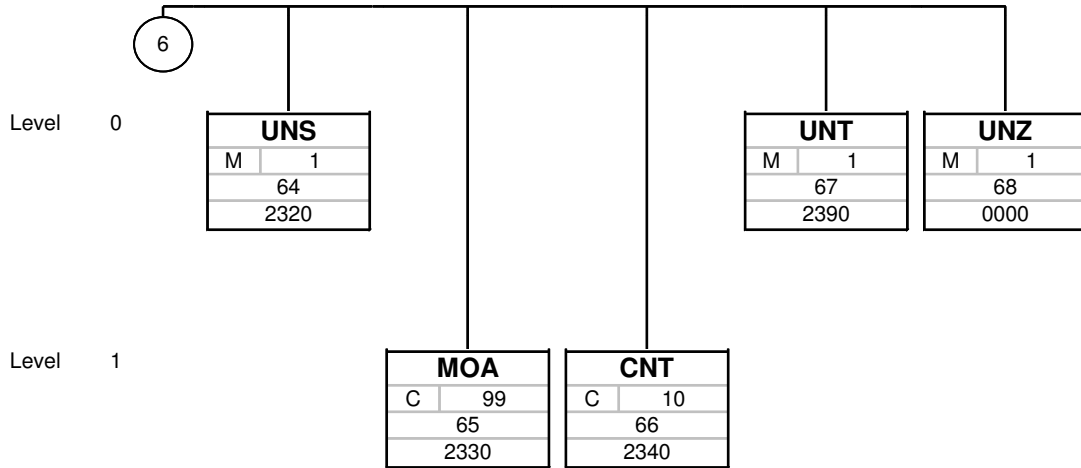
Branching Diagram of Used Segments/Groups



Tag
St MaxOcc
No
Counter

Tag = Segment/Group Tag
 St = Status (M=Mandatory, C=Conditional, R=Required, O=Optional, A=Advised, D=Dependent)
 MaxOcc = Maximum occurrence of the segment/group
 No = Consecutive segment number
 Counter = Counter of segment/group within the standard

Branching Diagram of Used Segments/Groups



Tag
St MaxOcc
No
Counter

Tag = Segment/Group Tag
 St = Status (M=Mandatory, C=Conditional, R=Required, O=Optional, A=Advised, D=Dependent)
 MaxOcc = Maximum occurrence of the segment/group
 No = Consecutive segment number
 Counter = Counter of segment/group within the standard

Segments

Counter	No	Tag	St	MaxOcc	Level	Name
0000	1	UNB	M	1	0	Interchange header

Standard			Implementation	
Tag	Name	St Format	St Format	Usage / Remark
UNB				
S001	Syntax identifier	M	M	UNOC UN/ECE level C 4 Version 4 3 Version 3
0001	Syntax identifier	M a4	M a4	
0002	Syntax version number	M an1	M an1	
S002	Interchange sender	M	M	ZZZ Mutually defined
0004	Interchange sender identification	M an..35	M an..35	
0007	Identification code qualifier	C an..4	C an..4	
S003	Interchange recipient	M	M	ZZZ Mutually defined
0010	Interchange recipient identification	M an..35	M an..35	
0007	Identification code qualifier	C an..4	C an..4	
S004	Date and time of preparation	M	M	
0017	Date	M n8	M n8	
0019	Time	M n4	M n4	
0020	Interchange control reference	M an..14	M an..14	

Remark:

Example:

UNB+UNOC:4+STIHL:ZZZ+SUPPLIER_ID:ZZZ+20060104:1616+82'

No = Consecutive segment number
MaxOcc = Maximum occurrence of the segment/group
Counter = Counter of segment/group within the standard

St = Status
EDIFACT: M=Mandatory, C=Conditional
User specific: R=Required, O=Optional, D=Dependent,
A=Advised, N=Not used

Segments

Counter	No	Tag	St	MaxOcc	Level	Name
0010	2	UNH	M	1	0	Message header

Standard			Implementation	
Tag	Name	St Format	St Format	Usage / Remark
UNH				
0062	Message reference number	M an..14	M an..14	
S009	Message identifier	M	M	
0065	Message type	M an..6	M an..6	ORDERS Purchase order message
0052	Message version number	M an..3	M an..3	D Draft version/UN/EDIFACT Directory
0054	Message release number	M an..3	M an..3	99B Release 1999 - B
0051	Controlling agency, coded	M an..3	M an..3	UN UN/CEFACT

Remark:

Example:

UNH+89+ORDERS : D : 99B : UN '

No = Consecutive segment number
 MaxOcc = Maximum occurrence of the segment/group
 Counter = Counter of segment/group within the standard

St = Status
 EDIFACT: M=Mandatory, C=Conditional
 User specific: R=Required, O=Optional, D=Dependent,
 A=Advised, N=Not used

Segments

Counter	No	Tag	St	MaxOcc	Level	Name
0020	3	BGM	M	1	0	Beginning of message

Standard			Implementation	
Tag	Name	St Format	St Format	Usage / Remark
BGM				
C002	Document/message name	C	C	
1001	Document name code	C an..3	C an..3	220 Order
1000	Document name	C an..35	C an..35	ORDER

C106	Document/message identification	C	C	
1004	Document/message number	C an..35	C an..35	

1225	Message function code	C an..3	C an..3	9 Original

Remark:

Example:

BGM+220:::ORDER+4500176447+9'

No = Consecutive segment number
 MaxOcc = Maximum occurrence of the segment/group
 Counter = Counter of segment/group within the standard

St = Status
 EDIFACT: M=Mandatory, C=Conditional
 User specific: R=Required, O=Optional, D=Dependent,
 A=Advised, N=Not used

Segments

Counter	No	Tag	St	MaxOcc	Level	Name
0030	4	DTM	M	35	1	Date/time/period

Standard			Implementation	
Tag	Name	St Format	St Format	Usage / Remark
DTM				
C507	Date/time/period	M	M	
2005	Date/time/period function code qualifier	M an..3	M an..3	137 Document/message date/time
2380	Date/time/period value	C an..35	C an..35	
2379	Date/time/period format code	C an..3	C an..3	102 CCYMMDD

Remark:

Example:

DTM+137:20060104:102'

No = Consecutive segment number
 MaxOcc = Maximum occurrence of the segment/group
 Counter = Counter of segment/group within the standard

St = Status
 EDIFACT: M=Mandatory, C=Conditional
 User specific: R=Required, O=Optional, D=Dependent,
 A=Advised, N=Not used

Segments

Counter	No	Tag	St	MaxOcc	Level	Name
0070	5	FTX	C	99	1	Free text

Standard			Implementation	
Tag	Name	St Format	St Format	Usage / Remark
FTX				
4451	Text subject code qualifier	M an..3	M an..3	AAI General information AAK Price conditions ZZZ Mutually defined AAR Terms of delivery TDT Transport details remarks AAL Goods dimensions in characters AGE Contract information DEL Delivery information ORI Order instruction INV Invoice instruction
C107	Text reference	C	C	This DEG occurs if DE4451 has the value ZZZ.
4441	Free text value code	M an..17	M an..17	DATE Text information regarding a date AGREEM Text information regarding an agreement ENT ATTACH Text information regarding an attachment MENT AVIS Text information regarding advising CUSTEX Text information of customer's customer (e.g. 1 to be printed on shipping documents) WH_INS Text information containing instructions for the warehouse TRUC
C108	Text literal	C	C	
4440	Free text value	M an..512	M an..512	
4440	Free text value	C an..512	C an..512	
4440	Free text value	C an..512	C an..512	
4440	Free text value	C an..512	C an..512	
3453	Language name code	C an..3	C an..3	

Remark:

In theory the buyer can add different types of text in the purchasing application. Practically spoken transmitting free text will be used very rarely. In order to maintain efficient transparency various qualifiers come with the FTX segment. It is up to the message receiver how to handle this text information.

Example:

FTX+AAI+++Die Bezahlung erfolgt zu unseren Zahlungsterminen am 15. bzw. 30. desjeweiligen Monats in Abhängigkeit vom Rechnungseingang (siehe hierzu unsere Einkaufsbedingungen). Erfolgt der Rechnungseingang später als 8Tage vor dem jeweiligen Zahlungstermin, so erfolgt die Zahlung zumdarauf folgenden STIHL-Zahlungstermin. Die von uns genannten Bestelldaten (Preis, Liefertermin, etc.) betrachten wir als akzeptiert, sofern uns innerhalb von 5 Arbeitstagen keine anderslautende Auftragsbestätigung vorliegt. Bitte geben Sie im gesamten Schriftverkehr außer der Bestellnummer auch unsere Bestell-Position, Sachnummer und Bezeichnung an. Grundlage der Bestellung sind die STIHL-Einkaufsbedingungen, Stand Januar 2002. Sie können im Einkauf abgerufen werden. Außerdem sind die Einkaufsbedingungen im Internet unter <http://www.stihl.de/einkauf/hinterlegt>. Schriftverkehr (Rechnungen, Lieferscheine etc.) benötigen wir nur in 1-facher Ausführung. Für die Beauftragung von Dienstleistungen gilt: Der Dienstleister sichert zu, dass er und ggf. seine Subunternehmer, den gesetzlichen Pflichten zur Zahlung der Steuern, der Beiträge zu allen Sozialversicherungen und der Berufsgenossenschaft ordnungsgemäß nachkommen. Er verpflichtet sich insbesondere, alle gesetzlichen und behördlichen Best

No = Consecutive segment number
 MaxOcc = Maximum occurrence of the segment/group
 Counter = Counter of segment/group within the standard

St = Status
 EDIFACT: M=Mandatory, C=Conditional
 User specific: R=Required, O=Optional, D=Dependent,
 A=Advised, N=Not used

Segments

immungen für den Einsatz von Arbeitskräfteneinzuhalten.Bitte adressieren Sie Ihre Rechnungen ausschließlic
hließlichmit folgender Firmierung???:Andreas Stihl AG & Co. KGRechnungen die nicht auf unsere richtige Firmenbezeichnung
ausgestelltsind müssen wir leider zurückschicken.+DE'

No = Consecutive segment number
MaxOcc = Maximum occurrence of the segment/group
Counter = Counter of segment/group within the standard

St = Status
EDIFACT: M=Mandatory, C=Conditional
User specific: R=Required, O=Optional, D=Dependent,
A=Advised, N=Not used

Segments

Counter	No	Tag	St	MaxOcc	Level	Name
0070	6	FTX	C	99	1	Free text

Standard			Implementation	
Tag	Name	St Format	St Format	Usage / Remark
FTX				
4451	Text subject code qualifier	M an..3	M an..3	AAB Terms of payments
C107	Text reference	C	C	
4441	Free text value code	M an..17	M an..17	CASH Payment method cash CHEQUE Payment method cheque The values CASH and CHEQUE are used to determine the payment method in case of cash on delivery. By coordination of STIHL ClearingCenter further qualifiers can be added.
3055	Code list responsible agency code	C an..3	C an..3	
C108	Text literal	C	C	
4440	Free text value	M an..512	M an..512	If cash on delivery (COD) is agreed this DE starts with the characters COD.

Remark:

This segment contains terms of payments.

Example:

FTX+AAB++CASH::ZZZ+COD (Cash On Delivery is agreed)'

No = Consecutive segment number
MaxOcc = Maximum occurrence of the segment/group
Counter = Counter of segment/group within the standard

St = Status
EDIFACT: M=Mandatory, C=Conditional
User specific: R=Required, O=Optional, D=Dependent,
A=Advised, N=Not used

Segments

Counter	No	Tag	St	MaxOcc	Level	Name
0090		SG1	C	9999	1	RFF-DTM
0100	7	RFF	M	1	1	Reference

Standard			Implementation	
Tag	Name	St Format	St Format	Usage / Remark
RFF				
C506	Reference	M	M	AOG Source document internal reference
1153	Reference function code qualifier	M an..3	M an..3	
4000	Reference version identifier	C an..35	C an..35	

Remark:

This describes an internal reference mainly for sender's tracking purposes.

Example:

RFF+AOG:::Q20/200 #0000000026100922'

No = Consecutive segment number
MaxOcc = Maximum occurrence of the segment/group
Counter = Counter of segment/group within the standard

St = Status
EDIFACT: M=Mandatory, C=Conditional
User specific: R=Required, O=Optional, D=Dependent,
A=Advised, N=Not used

Segments

Counter	No	Tag	St	MaxOcc	Level	Name
0090		SG1	C	9999	1	RFF-DTM
0110	8	DTM	C	5	2	Date/time/period

Standard			Implementation	
Tag	Name	St Format	St Format	Usage / Remark
DTM				
C507	Date/time/period	M	M	
2005	Date/time/period function code qualifier	M an..3	M an..3	171 Reference date/time
2380	Date/time/period value	C an..35	C an..35	
2379	Date/time/period format code	C an..3	C an..3	102 CCYYMMDD

Remark:

Example:

DTM+171:20050913:102'

No = Consecutive segment number
 MaxOcc = Maximum occurrence of the segment/group
 Counter = Counter of segment/group within the standard

St = Status
 EDIFACT: M=Mandatory, C=Conditional
 User specific: R=Required, O=Optional, D=Dependent,
 A=Advised, N=Not used

Segments

Counter	No	Tag	St	MaxOcc	Level	Name
0090		SG1	C	9999	1	RFF-DTM
0100	9	RFF	M	1	1	Reference

Standard			Implementation	
Tag	Name	St Format	St Format	Usage / Remark
RFF				
C506	Reference	M	M	CG Consignee's order number
1153	Reference function code qualifier	M an..3	M an..3	
4000	Reference version identifier	C an..35	C an..35	

Remark:

This describes an internal reference to transmit the purchase order number of the customer's customer.
This segment (CG) only occurs on head level if the reference information is the same for all line items. If they are different please refer to NAD in SG 39.

Example:

RFF+CG:::1234567890'

No = Consecutive segment number
MaxOcc = Maximum occurrence of the segment/group
Counter = Counter of segment/group within the standard

St = Status
EDIFACT: M=Mandatory, C=Conditional
User specific: R=Required, O=Optional, D=Dependent,
A=Advised, N=Not used

Segments

Counter	No	Tag	St	MaxOcc	Level	Name
0090		SG1	C	9999	1	RFF-DTM
0110	10	DTM	C	5	2	Date/time/period

Standard			Implementation	
Tag	Name	St Format	St Format	Usage / Remark
DTM				
C507	Date/time/period	M	M	
2005	Date/time/period function code qualifier	M an..3	M an..3	171 Reference date/time
2380	Date/time/period value	C an..35	C an..35	
2379	Date/time/period format code	C an..3	C an..3	102 CCYYMMDD

Remark:

Example:

DTM+171:20061114:102'

No = Consecutive segment number
 MaxOcc = Maximum occurrence of the segment/group
 Counter = Counter of segment/group within the standard

St = Status
 EDIFACT: M=Mandatory, C=Conditional
 User specific: R=Required, O=Optional, D=Dependent,
 A=Advised, N=Not used

Segments

Counter	No	Tag	St	MaxOcc	Level	Name
0090		SG1	C	9999	1	RFF-DTM
0100	11	RFF	M	1	1	Reference

Standard			Implementation	
Tag	Name	St Format	St Format	Usage / Remark
RFF				
C506	Reference	M	M	
1153	Reference function code qualifier	M an..3	M an..3	AEP Project number
1154	Reference identifier	C an..35	C an..35	

Remark:

This describes a project name/reference that was agreed between buyer and supplier. The usage is limited to certain business cases only.

Example:

RFF+AEP:PAINT3D'

No = Consecutive segment number
 MaxOcc = Maximum occurrence of the segment/group
 Counter = Counter of segment/group within the standard

St = Status
 EDIFACT: M=Mandatory, C=Conditional
 User specific: R=Required, O=Optional, D=Dependent,
 A=Advised, N=Not used

Segments

Counter	No	Tag	St	MaxOcc	Level	Name
0090		SG1	C	9999	1	RFF-DTM
0110	12	DTM	C	5	2	Date/time/period

Standard			Implementation	
Tag	Name	St Format	St Format	Usage / Remark
DTM				
C507	Date/time/period	M	M	
2005	Date/time/period function code qualifier	M an..3	M an..3	171 Reference date/time
2380	Date/time/period value	C an..35	C an..35	
2379	Date/time/period format code	C an..3	C an..3	102 CCYYMMDD

Remark:

Example:

DTM+171:20061114:102'

No = Consecutive segment number
 MaxOcc = Maximum occurrence of the segment/group
 Counter = Counter of segment/group within the standard

St = Status
 EDIFACT: M=Mandatory, C=Conditional
 User specific: R=Required, O=Optional, D=Dependent,
 A=Advised, N=Not used

Segments

Counter	No	Tag	St	MaxOcc	Level	Name
0090		SG1	C	9999	1	RFF-DTM
0100	13	RFF	M	1	1	Reference

Standard			Implementation	
Tag	Name	St Format	St Format	Usage / Remark
RFF				
C506	Reference	M	M	VN Order number (vendor)
1153	Reference function code qualifier	M an..3	M an..3	
1154	Reference identifier	C an..35	C an..35	

Remark:

Sales order number that STIHL assigned towards his customer. The usage is limited to certain business cases only.

Example:

RFF+VN:8953/78'

No = Consecutive segment number
MaxOcc = Maximum occurrence of the segment/group
Counter = Counter of segment/group within the standard

St = Status
EDIFACT: M=Mandatory, C=Conditional
User specific: R=Required, O=Optional, D=Dependent,
A=Advised, N=Not used

Segments

Counter	No	Tag	St	MaxOcc	Level	Name
	0090	SG1	C	9999	1	RFF-DTM
	0110	DTM	C	5	2	Date/time/period

Standard			Implementation	
Tag	Name	St Format	St Format	Usage / Remark
DTM				
C507	Date/time/period	M	M	
2005	Date/time/period function code qualifier	M an..3	M an..3	171 Reference date/time
2380	Date/time/period value	C an..35	C an..35	
2379	Date/time/period format code	C an..3	C an..3	102 CCYYMMDD

Remark:

Example:

DTM+171:20061114:102'

No = Consecutive segment number
 MaxOcc = Maximum occurrence of the segment/group
 Counter = Counter of segment/group within the standard

St = Status
 EDIFACT: M=Mandatory, C=Conditional
 User specific: R=Required, O=Optional, D=Dependent,
 A=Advised, N=Not used

Segments

Counter	No	Tag	St	MaxOcc	Level	Name
0090		SG1	C	9999	1	RFF-DTM
0100	15	RFF	M	1	1	Reference

Standard			Implementation	
Tag	Name	St Format	St Format	Usage / Remark
RFF				
C506	Reference	M	M	CO Buyers order number
1153	Reference function code qualifier	M an..3	M an..3	
1154	Reference identifier	C an..35	C an..35	

Remark:

Reference number assigned by the buyer to an order.

Example:

RFF+CO:987654'

No = Consecutive segment number
 MaxOcc = Maximum occurrence of the segment/group
 Counter = Counter of segment/group within the standard

St = Status
 EDIFACT: M=Mandatory, C=Conditional
 User specific: R=Required, O=Optional, D=Dependent,
 A=Advised, N=Not used

Segments

Counter	No	Tag	St	MaxOcc	Level	Name
0090		SG1	C	9999	1	RFF-DTM
0110	16	DTM	C	5	2	Date/time/period

Standard			Implementation	
Tag	Name	St Format	St Format	Usage / Remark
DTM				
C507	Date/time/period	M	M	
2005	Date/time/period function code qualifier	M an..3	M an..3	171 Reference date/time
2380	Date/time/period value	C an..35	C an..35	
2379	Date/time/period format code	C an..3	C an..3	102 CCYYMMDD

Remark:

Example:

DTM+171:20050913:102'

No = Consecutive segment number
 MaxOcc = Maximum occurrence of the segment/group
 Counter = Counter of segment/group within the standard

St = Status
 EDIFACT: M=Mandatory, C=Conditional
 User specific: R=Required, O=Optional, D=Dependent,
 A=Advised, N=Not used

Segments

Counter	No	Tag	St	MaxOcc	Level	Name
0090		SG1	C	9999	1	RFF-DTM
0100	17	RFF	M	1	1	Reference

Standard			Implementation	
Tag	Name	St Format	St Format	Usage / Remark
RFF				
C506	Reference	M	M	IL Internal order number
1153	Reference function code qualifier	M an..3	M an..3	
1154	Reference identifier	C an..35	C an..35	

Remark:

Number assigned to an order for internal handling/follow up.

Example:

RFF+IL:200109491'

No = Consecutive segment number
 MaxOcc = Maximum occurrence of the segment/group
 Counter = Counter of segment/group within the standard

St = Status
 EDIFACT: M=Mandatory, C=Conditional
 User specific: R=Required, O=Optional, D=Dependent,
 A=Advised, N=Not used

Segments

Counter	No	Tag	St	MaxOcc	Level	Name
0090		SG1	C	9999	1	RFF-DTM
0110	18	DTM	C	5	2	Date/time/period

Standard			Implementation	
Tag	Name	St Format	St Format	Usage / Remark
DTM				
C507	Date/time/period	M	M	
2005	Date/time/period function code qualifier	M an..3	M an..3	171 Reference date/time
2380	Date/time/period value	C an..35	C an..35	
2379	Date/time/period format code	C an..3	C an..3	102 CCYYMMDD

Remark:

Example:

DTM+171:20050913:102'

No = Consecutive segment number
 MaxOcc = Maximum occurrence of the segment/group
 Counter = Counter of segment/group within the standard

St = Status
 EDIFACT: M=Mandatory, C=Conditional
 User specific: R=Required, O=Optional, D=Dependent,
 A=Advised, N=Not used

Segments

Counter	No	Tag	St	MaxOcc	Level	Name
	0120	SG2	C	99	1	NAD-SG5
	0130	NAD	M	1	1	Name and address

Standard			Implementation	
Tag	Name	St Format	St Format	Usage / Remark
NAD				
3035	Party function code qualifier	M an..3	M an..3	BY Buyer
C082	Party identification details	C	C	91 Assigned by seller or seller's agent
3039	Party identifier	M an..35	M an..35	
3055	Code list responsible agency code	C an..3	C an..3	
C080	Party name	C	C	
3036	Party name	M an..35	M an..35	
3036	Party name	C an..35	C an..35	
C059	Street	C	C	
3042	Street and number/p.o. box	M an..35	M an..35	
3164	City name	C an..35	C an..35	
3251	Postal identification code	C an..17	C an..17	
3207	Country name code	C an..3	C an..3	

Remark:

Example:

NAD+BY+34112938::91++Andreas Stihl AG & CO. KG:Plant 1+Badstraße 115+Waiblingen++71336+DE'

No = Consecutive segment number
 MaxOcc = Maximum occurrence of the segment/group
 Counter = Counter of segment/group within the standard

St = Status
 EDIFACT: M=Mandatory, C=Conditional
 User specific: R=Required, O=Optional, D=Dependent,
 A=Advised, N=Not used

Segments

Counter	No	Tag	St	MaxOcc	Level	Name
	0220	SG5	C	5	2	CTA-COM
	0230	CTA	M	1	2	Contact information

Standard			Implementation	
Tag	Name	St Format	St Format	Usage / Remark
CTA				
3139	Contact function code	C an..3	C an..3	PD Purchasing contact
C056	Department or employee details	C	C	
3412	Department or employee	C an..35	C an..35	

Remark:

Example:

CTA+PD+:Yvonne Heublein'

No = Consecutive segment number
 MaxOcc = Maximum occurrence of the segment/group
 Counter = Counter of segment/group within the standard

St = Status
 EDIFACT: M=Mandatory, C=Conditional
 User specific: R=Required, O=Optional, D=Dependent,
 A=Advised, N=Not used

Segments

Counter	No	Tag	St	MaxOcc	Level	Name	
	0220	SG5	C	5	2	CTA-COM	
	0240	21	COM	C	5	3	Communication contact

Standard			Implementation	
Tag	Name	St Format	St Format	Usage / Remark
COM				
C076	Communication contact	M	M	
3148	Communication number	M an..512	M an..512	
3155	Communication number code qualifier	M an..3	M an..3	FX Telefax TE Telephone EM Electronic mail

Remark:

Example:

COM+07151-26-2222:TE'

No = Consecutive segment number
 MaxOcc = Maximum occurrence of the segment/group
 Counter = Counter of segment/group within the standard

St = Status
 EDIFACT: M=Mandatory, C=Conditional
 User specific: R=Required, O=Optional, D=Dependent,
 A=Advised, N=Not used

Segments

Counter	No	Tag	St	MaxOcc	Level	Name
0220		SG5	C	5	2	CTA-COM
The CTA+SR information can be used for certain business requirement and is not part of any STIHL purchase order. It determines the sales representative who created the sales order towards the customer. This sales order triggered the purchase order this EDIFACT guide is about.						
0230	22	CTA	M	1	2	Contact information

		Standard	Implementation	
Tag	Name	St Format	St Format	Usage / Remark
CTA				
3139	Contact function code	C an..3	C an..3	SR Sales representative or department
C056	Department or employee details	C	C	
3412	Department or employee	C an..35	C an..35	

Remark:

Example:

CTA+SR+:Iris Bauer'

No = Consecutive segment number
 MaxOcc = Maximum occurrence of the segment/group
 Counter = Counter of segment/group within the standard

St = Status
 EDIFACT: M=Mandatory, C=Conditional
 User specific: R=Required, O=Optional, D=Dependent,
 A=Advised, N=Not used

Segments

Counter	No	Tag	St	MaxOcc	Level	Name
0220		SG5	C	5	2	CTA-COM
The CTA+SR information can be used for certain business requirement and is not part of any STIHL purchase order. It determines the sales representative who created the sales order towards the customer. This sales order triggered the purchase order this EDIFACT guide is about.						
0240	23	COM	C	5	3	Communication contact

		Standard	Implementation	
Tag	Name	St Format	St Format	Usage / Remark
COM				
C076	Communication contact	M	M	
3148	Communication number	M an..512	M an..512	
3155	Communication number code qualifier	M an..3	M an..3	FX Telefax TE Telephone EM Electronic mail

Remark:

Example:

COM+07151-268-2222:FX'

No = Consecutive segment number
 MaxOcc = Maximum occurrence of the segment/group
 Counter = Counter of segment/group within the standard

St = Status
 EDIFACT: M=Mandatory, C=Conditional
 User specific: R=Required, O=Optional, D=Dependent,
 A=Advised, N=Not used

Segments

Counter	No	Tag	St	MaxOcc	Level	Name
	0120	SG2	C	99	1	NAD-SG5
	0130	NAD	M	1	1	Name and address

Standard			Implementation	
Tag	Name	St Format	St Format	Usage / Remark
NAD				
3035	Party function code qualifier	M an..3	M an..3	SU Supplier
C082	Party identification details	C	C	92 Assigned by buyer or buyer's agent
3039	Party identifier	M an..35	M an..35	
3055	Code list responsible agency code	C an..3	C an..3	
C080	Party name	C	C	
3036	Party name	M an..35	M an..35	
3036	Party name	C an..35	C an..35	
C059	Street	C	C	
3042	Street and number/p.o. box	M an..35	M an..35	
3164	City name	C an..35	C an..35	
3251	Postal identification code	C an..17	C an..17	
3207	Country name code	C an..3	C an..3	

Remark:

Example:

NAD+SU+0090006145::92++Supplier name:Supplier name+Supplier street and number+Supplier city++0815+DE'

No = Consecutive segment number
 MaxOcc = Maximum occurrence of the segment/group
 Counter = Counter of segment/group within the standard

St = Status
 EDIFACT: M=Mandatory, C=Conditional
 User specific: R=Required, O=Optional, D=Dependent,
 A=Advised, N=Not used

Segments

Counter	No	Tag	St	MaxOcc	Level	Name	
	0220	SG5	C	5	2	CTA-COM	
	0230	25	CTA	M	1	2	Contact information

Standard			Implementation	
Tag	Name	St Format	St Format	Usage / Remark
CTA				
3139	Contact function code	C an..3	C an..3	SU Supplier contact
C056	Department or employee details	C	C	
3412	Department or employee	C an..35	C an..35	

Remark:

Example:

CTA+SU+:Supplier contact person'

No = Consecutive segment number
 MaxOcc = Maximum occurrence of the segment/group
 Counter = Counter of segment/group within the standard

St = Status
 EDIFACT: M=Mandatory, C=Conditional
 User specific: R=Required, O=Optional, D=Dependent,
 A=Advised, N=Not used

Segments

Counter	No	Tag	St	MaxOcc	Level	Name	
	0220	SG5	C	5	2	CTA-COM	
	0240	26	COM	C	5	3	Communication contact

Standard			Implementation	
Tag	Name	St Format	St Format	Usage / Remark
COM				
C076	Communication contact	M	M	
3148	Communication number	M an..512	M an..512	
3155	Communication number code qualifier	M an..3	M an..3	FX Telefax TE Telephone EM Electronic mail

Remark:

Example:

COM+01234-245-1134:TE'

No = Consecutive segment number
 MaxOcc = Maximum occurrence of the segment/group
 Counter = Counter of segment/group within the standard

St = Status
 EDIFACT: M=Mandatory, C=Conditional
 User specific: R=Required, O=Optional, D=Dependent,
 A=Advised, N=Not used

Segments

Counter	No	Tag	St	MaxOcc	Level	Name
	0120	SG2	C	99	1	NAD-SG5
	0130	NAD	M	1	1	Name and address

Standard			Implementation	
Tag	Name	St Format	St Format	Usage / Remark
NAD				
3035	Party function code qualifier	M an..3	M an..3	CN Consignee
C082	Party identification details	C	C	
3039	Party identifier	M an..35	M an..35	Whether a party identifier is transmitted for this qualifier CN or not depends on the individual business process / data sender.
3055	Code list responsible agency code	C an..3	C an..3	91 Assigned by seller or seller's agent 92 Assigned by buyer or buyer's agent Whether 91 or 92 is transmitted for this qualifier CN depends on the individual business process / data sender.
C080	Party name	C	C	
3036	Party name	M an..35	M an..35	
3036	Party name	C an..35	C an..35	
C059	Street	C	C	
3042	Street and number/p.o. box	M an..35	M an..35	
3164	City name	C an..35	C an..35	
3251	Postal identification code	C an..17	C an..17	
3207	Country name code	C an..3	C an..3	

Remark:

The CN qualifier describes the person/company who logically receives the goods. The actual unloading point is carried in the DP segment. Frequently these addresses are the same. If logical (CN) and physical (DP) receiver are the same the DP segment is omitted.

Example: The logical receiving party (CN) is company Imp&Ex Inc. in Main Street. But this specific shipment has to be delivered to their external warehouse (DP) in Silent Lane.

This segment (CN) only occurs on head level if the ship-to address is the same for all line items. If they are different please refer to NAD in SG 39.

Example:

NAD+CN+1234567::92++Andreas Stihl AG & CO. KG:Plant 1+Badstraße 115+Waiblingen++71336+DE'

No = Consecutive segment number
MaxOcc = Maximum occurrence of the segment/group
Counter = Counter of segment/group within the standard

St = Status
EDIFACT: M=Mandatory, C=Conditional
User specific: R=Required, O=Optional, D=Dependent,
A=Advised, N=Not used

Segments

Counter	No	Tag	St	MaxOcc	Level	Name	
	0220	SG5	C	5	2	CTA-COM	
	0230	28	CTA	M	1	2	Contact information

Standard			Implementation	
Tag	Name	St Format	St Format	Usage / Remark
CTA				
3139	Contact function code	C an..3	C an..3	CN Consignee
C056	Department or employee details	C	C	
3412	Department or employee	C an..35	C an..35	

Remark:

Example:

CTA+CN+:Consignee contact'

No = Consecutive segment number
 MaxOcc = Maximum occurrence of the segment/group
 Counter = Counter of segment/group within the standard

St = Status
 EDIFACT: M=Mandatory, C=Conditional
 User specific: R=Required, O=Optional, D=Dependent,
 A=Advised, N=Not used

Segments

Counter	No	Tag	St	MaxOcc	Level	Name
	0220	SG5	C	5	2	CTA-COM
	0240	29 COM	C	5	3	Communication contact

Standard			Implementation	
Tag	Name	St Format	St Format	Usage / Remark
COM				
C076	Communication contact	M	M	
3148	Communication number	M an..512	M an..512	
3155	Communication number code qualifier	M an..3	M an..3	FX Telefax TE Telephone EM Electronic mail

Remark:

Example:

COM+01234-245-1134:TE'

No = Consecutive segment number
 MaxOcc = Maximum occurrence of the segment/group
 Counter = Counter of segment/group within the standard

St = Status
 EDIFACT: M=Mandatory, C=Conditional
 User specific: R=Required, O=Optional, D=Dependent,
 A=Advised, N=Not used

Segments

Counter	No	Tag	St	MaxOcc	Level	Name
	0120	SG2	C	99	1	NAD-SG5
	0130	NAD	M	1	1	Name and address

Standard			Implementation	
Tag	Name	St Format	St Format	Usage / Remark
NAD				
3035	Party function code qualifier	M an..3	M an..3	DP Delivery party
C082	Party identification details	C	C	
3039	Party identifier	M an..35	M an..35	Whether a party identifier is transmitted for this qualifier DP or not depends on the individual business process / data sender.
3055	Code list responsible agency code	C an..3	C an..3	91 Assigned by seller or seller's agent 92 Assigned by buyer or buyer's agent Whether 91 or 92 is transmitted for this qualifier DP depends on the individual business process / data sender.
C080	Party name	C	C	
3036	Party name	M an..35	M an..35	
3036	Party name	C an..35	C an..35	
C059	Street	C	C	
3042	Street and number/p.o. box	M an..35	M an..35	
3164	City name	C an..35	C an..35	
3251	Postal identification code	C an..17	C an..17	
3207	Country name code	C an..3	C an..3	

Remark:

The DP segment provides the necessary information if the physical unloading point differs from the consignee's (CN) address. This segment (DP) only occurs on head level if the ship-to address is the same for all line items. If they are different please refer to NAD in SG 39.

Example:

NAD+DP+987654321::91++Andreas Stihl AG & CO. KG:Plant 1+Badstraße 115+Waiblingen++71336+DE'

No = Consecutive segment number
MaxOcc = Maximum occurrence of the segment/group
Counter = Counter of segment/group within the standard

St = Status
EDIFACT: M=Mandatory, C=Conditional
User specific: R=Required, O=Optional, D=Dependent,
A=Advised, N=Not used

Segments

Counter	No	Tag	St	MaxOcc	Level	Name
	0220	SG5	C	5	2	CTA-COM
	0230	31 CTA	M	1	2	Contact information

Standard			Implementation	
Tag	Name	St Format	St Format	Usage / Remark
CTA				
3139	Contact function code	C an..3	C an..3	GR Goods receiving contact
C056	Department or employee details	C	C	
3412	Department or employee	C an..35	C an..35	

Remark:

Example:

CTA+GR+:Goods receving contact person'

No = Consecutive segment number
 MaxOcc = Maximum occurrence of the segment/group
 Counter = Counter of segment/group within the standard

St = Status
 EDIFACT: M=Mandatory, C=Conditional
 User specific: R=Required, O=Optional, D=Dependent,
 A=Advised, N=Not used

Segments

Counter	No	Tag	St	MaxOcc	Level	Name
	0220	SG5	C	5	2	CTA-COM
	0240	32 COM	C	5	3	Communication contact

Standard			Implementation	
Tag	Name	St Format	St Format	Usage / Remark
COM				
C076	Communication contact	M	M	
3148	Communication number	M an..512	M an..512	
3155	Communication number code qualifier	M an..3	M an..3	FX Telefax TE Telephone EM Electronic mail

Remark:

Example:

COM+01234-245-1134:TE'

No = Consecutive segment number
 MaxOcc = Maximum occurrence of the segment/group
 Counter = Counter of segment/group within the standard

St = Status
 EDIFACT: M=Mandatory, C=Conditional
 User specific: R=Required, O=Optional, D=Dependent,
 A=Advised, N=Not used

Segments

Counter	No	Tag	St	MaxOcc	Level	Name
0120		SG2	C	99	1	NAD-SG5
0130	33	NAD	M	1	1	Name and address

Standard			Implementation	
Tag	Name	St Format	St Format	Usage / Remark
NAD				
3035	Party function code qualifier	M an..3	M an..3	P1 Contact party 1
C080	Party name	C	C	
3036	Party name	M an..35	M an..35	
3036	Party name	C an..35	C an..35	

Remark:

The P1 segment provides information about the person/contact details if advising is requested.

Example:

NAD+P1+++Jack Daniels:Warehousekeeper'

No = Consecutive segment number
 MaxOcc = Maximum occurrence of the segment/group
 Counter = Counter of segment/group within the standard

St = Status
 EDIFACT: M=Mandatory, C=Conditional
 User specific: R=Required, O=Optional, D=Dependent,
 A=Advised, N=Not used

Segments

Counter	No	Tag	St	MaxOcc	Level	Name
0220		SG5	C	5	2	CTA-COM
0230	34	CTA	M	1	2	Contact information

Standard			Implementation	
Tag	Name	St Format	St Format	Usage / Remark
CTA				
3139	Contact function code	C an..3	C an..3	NT Notification contact

Remark:

Example:

CTA+NT'

No = Consecutive segment number
 MaxOcc = Maximum occurrence of the segment/group
 Counter = Counter of segment/group within the standard

St = Status
 EDIFACT: M=Mandatory, C=Conditional
 User specific: R=Required, O=Optional, D=Dependent,
 A=Advised, N=Not used

Segments

Counter	No	Tag	St	MaxOcc	Level	Name
	0220	SG5	C	5	2	CTA-COM
	0240	35 COM	C	5	3	Communication contact

Standard			Implementation	
Tag	Name	St Format	St Format	Usage / Remark
COM				
C076	Communication contact	M	M	
3148	Communication number	M an..512	M an..512	
3155	Communication number code qualifier	M an..3	M an..3	FX Telefax TE Telephone EM Electronic mail

Remark:

Example:

COM+01234-245-1134:TE'

No = Consecutive segment number
 MaxOcc = Maximum occurrence of the segment/group
 Counter = Counter of segment/group within the standard

St = Status
 EDIFACT: M=Mandatory, C=Conditional
 User specific: R=Required, O=Optional, D=Dependent,
 A=Advised, N=Not used

Segments

Counter	No	Tag	St	MaxOcc	Level	Name
0120		SG2	C	99	1	NAD-SG5
In certain business cases the use of a certain carrier / forwarding company can be advised This segment contains the relevant information.						
0130	36	NAD	M	1	1	Name and address

		Standard	Implementation	
Tag	Name	St Format	St Format	Usage / Remark
NAD				
3035	Party function code qualifier	M an..3	M an..3	CA Carrier
C082	Party identification details	C	C	92 Assigned by buyer or buyer's agent
3039	Party identifier	M an..35	M an..35	
3055	Code list responsible agency code	C an..3	C an..3	
C080	Party name	C	C	
3036	Party name	M an..35	M an..35	
3036	Party name	C an..35	C an..35	
C059	Street	C	C	
3042	Street and number/p.o. box	M an..35	M an..35	
3164	City name	C an..35	C an..35	
3251	Postal identification code	C an..17	C an..17	
3207	Country name code	C an..3	C an..3	

Remark:

The P1 segment provides information about the person/contact details if advising is requested.

Example:

NAD+CA+0000607438::92++Schweitzerlander GmbH & Co.:International Trucks and Transports+Carl-Benz-Street 23+Lewismountain++71634+DE'

No = Consecutive segment number
MaxOcc = Maximum occurrence of the segment/group
Counter = Counter of segment/group within the standard

St = Status
EDIFACT: M=Mandatory, C=Conditional
User specific: R=Required, O=Optional, D=Dependent,
A=Advised, N=Not used

Segments

Counter	No	Tag	St	MaxOcc	Level	Name
0220		SG5	C	5	2	CTA-COM
0230	37	CTA	M	1	2	Contact information

Standard			Implementation	
Tag	Name	St Format	St Format	Usage / Remark
CTA				
3139	Contact function code	C an..3	C an..3	NT Notification contact

Remark:

Example:

CTA+NT'

No = Consecutive segment number
 MaxOcc = Maximum occurrence of the segment/group
 Counter = Counter of segment/group within the standard

St = Status
 EDIFACT: M=Mandatory, C=Conditional
 User specific: R=Required, O=Optional, D=Dependent,
 A=Advised, N=Not used

Segments

Counter	No	Tag	St	MaxOcc	Level	Name
	0220	SG5	C	5	2	CTA-COM
	0240	38 COM	C	5	3	Communication contact

Standard			Implementation	
Tag	Name	St Format	St Format	Usage / Remark
COM				
C076	Communication contact	M	M	
3148	Communication number	M an..512	M an..512	
3155	Communication number code qualifier	M an..3	M an..3	FX Telefax TE Telephone EM Electronic mail

Remark:

Example:

COM+01234-245-1134:TE'

No = Consecutive segment number
 MaxOcc = Maximum occurrence of the segment/group
 Counter = Counter of segment/group within the standard

St = Status
 EDIFACT: M=Mandatory, C=Conditional
 User specific: R=Required, O=Optional, D=Dependent,
 A=Advised, N=Not used

Segments

Counter	No	Tag	St	MaxOcc	Level	Name
	0290	SG7	C	5	1	CUX
	0300	39	CUX	M	1	Currencies

Standard			Implementation	
Tag	Name	St Format	St Format	Usage / Remark
CUX				
C504	Currency details	C	C	
6347	Currency details qualifier	M an..3	M an..3	2 Reference currency
6345	Currency identification code	C an..3	C an..3	EUR Euro
6343	Currency qualifier	C an..3	C an..3	9 Order currency

Remark:

Example:

CUX+2:EUR:9'

No = Consecutive segment number
 MaxOcc = Maximum occurrence of the segment/group
 Counter = Counter of segment/group within the standard

St = Status
 EDIFACT: M=Mandatory, C=Conditional
 User specific: R=Required, O=Optional, D=Dependent,
 A=Advised, N=Not used

Segments

Counter	No	Tag	St	MaxOcc	Level	Name
	0410	SG10	C	10	1	TDT-SG11
	0420	40 TDT	M	1	1	Details of transport

Standard			Implementation	
Tag	Name	St Format	St Format	Usage / Remark
TDT				
8051	Transport stage code qualifier	M an..3	M an..3	20 Main-carriage transport
C228	Transport means	C	C	
8179	Transport means description code	C an..8	C an..8	17 Customer determined means of transport
8178	Transport means description	C an..17	C an..17	04 Express 05 Forwarder 06 Air freight 07 Air mail 08 Sea freight

Remark:

Example:

TDT+20+++17:05'

No = Consecutive segment number
MaxOcc = Maximum occurrence of the segment/group
Counter = Counter of segment/group within the standard

St = Status
EDIFACT: M=Mandatory, C=Conditional
User specific: R=Required, O=Optional, D=Dependent,
A=Advised, N=Not used

Segments

Counter	No	Tag	St	MaxOcc	Level	Name
0430		SG11	C	10	2	LOC-DTM
0440	41	LOC	M	1	2	Place/location identification

Standard			Implementation	
Tag	Name	St Format	St Format	Usage / Remark
LOC				
3227	Location function code qualifier	M an..3	M an..3	

Remark:

Example:

LOC+1'

No = Consecutive segment number
 MaxOcc = Maximum occurrence of the segment/group
 Counter = Counter of segment/group within the standard

St = Status
 EDIFACT: M=Mandatory, C=Conditional
 User specific: R=Required, O=Optional, D=Dependent,
 A=Advised, N=Not used

Segments

Counter	No	Tag	St	MaxOcc	Level	Name
	0430	SG11	C	10	2	LOC-DTM
	0450	42 DTM	C	5	3	Date/time/period

Standard			Implementation	
Tag	Name	St Format	St Format	Usage / Remark
DTM				
C507	Date/time/period	M	M	
2005	Date/time/period function code qualifier	M an..3	M an..3	

Remark:

Example:

DTM+2'

No = Consecutive segment number
 MaxOcc = Maximum occurrence of the segment/group
 Counter = Counter of segment/group within the standard

St = Status
 EDIFACT: M=Mandatory, C=Conditional
 User specific: R=Required, O=Optional, D=Dependent,
 A=Advised, N=Not used

Segments

Counter	No	Tag	St	MaxOcc	Level	Name
0460		SG12	C	5	1	TOD
0470	43	TOD	M	1	1	Terms of delivery or transport

Standard			Implementation	
Tag	Name	St Format	St Format	Usage / Remark
TOD				
4055	Terms of delivery or transport function, coded	C an..3	C an..3	6 Delivery condition
C100	Terms of delivery or transport	C	C	
4053	Delivery or transport terms description code	C an..3	C an..3	CIP Freight, Carriage, Insurance to destination
4052	Delivery or transport terms description	C an..70	C an..70	EXW Ex works
4052	Delivery or transport terms description	C an..70	C an..70	

Remark:

Example:

TOD+6++CIP:::Einschl. Verpackung:Incoterms 2000'

No = Consecutive segment number
 MaxOcc = Maximum occurrence of the segment/group
 Counter = Counter of segment/group within the standard

St = Status
 EDIFACT: M=Mandatory, C=Conditional
 User specific: R=Required, O=Optional, D=Dependent,
 A=Advised, N=Not used

Segments

Counter	No	Tag	St	MaxOcc	Level	Name
	1030	SG28	C	200000	1	LIN-PIA-IMD-QTY-MOA-FTX-SG32-SG33-SG39-SG53
	1040	LIN	M	1	1	Line item

Standard			Implementation	
Tag	Name	St Format	St Format	Usage / Remark
LIN				
1082	Line item number	C an..6	C an..6	
C212	Item number identification	C	C	
7140	Item number	C an..35	C an..35	
7143	Item type identification code	C an..3	C an..3	SA Supplier's article number

Remark:

Example:

LIN+1+++3RP1505-1BP30:SA'

No = Consecutive segment number
 MaxOcc = Maximum occurrence of the segment/group
 Counter = Counter of segment/group within the standard

St = Status
 EDIFACT: M=Mandatory, C=Conditional
 User specific: R=Required, O=Optional, D=Dependent,
 A=Advised, N=Not used

Segments

Counter	No	Tag	St	MaxOcc	Level	Name
	1030	SG28	C	200000	1	LIN-PIA-IMD-QTY-MOA-FTX-SG32-SG33-SG39-SG53
	1050	45 PIA	C	25	2	Additional product id

Standard			Implementation	
Tag	Name	St Format	St Format	Usage / Remark
PIA				
4347	Product id. function qualifier	M an..3	M an..3	1 Additional identification
C212	Item number identification	M	M	
7140	Item number	C an..35	C an..35	
7143	Item type identification code	C an..3	C an..3	IN Buyer's item number EN International Article Numbering Association (EAN)

Remark:

Example:

PIA+1+07510502253:IN'

No = Consecutive segment number
 MaxOcc = Maximum occurrence of the segment/group
 Counter = Counter of segment/group within the standard

St = Status
 EDIFACT: M=Mandatory, C=Conditional
 User specific: R=Required, O=Optional, D=Dependent,
 A=Advised, N=Not used

Segments

Counter	No	Tag	St	MaxOcc	Level	Name	
	1030	SG28	C	200000	1	LIN-PIA-IMD-QTY-MOA-FTX-SG32-SG33-SG39-SG53	
	1060	46	IMD	C	99	2	Item description

Standard			Implementation	
Tag	Name	St Format	St Format	Usage / Remark
IMD				
7077	Item description type, coded	C an..3	C an..3	A Free-form long description
C272	Item characteristic	C	C	
3055	Code list responsible agency code	C an..3	C an..3	92 Assigned by buyer or buyer's agent
C273	Item description	C	C	
7008	Item description	C an..256	C an..256	

Remark:

Example:

IMD+A+::92+::Free text item description'

No = Consecutive segment number
 MaxOcc = Maximum occurrence of the segment/group
 Counter = Counter of segment/group within the standard

St = Status
 EDIFACT: M=Mandatory, C=Conditional
 User specific: R=Required, O=Optional, D=Dependent,
 A=Advised, N=Not used

Segments

Counter	No	Tag	St	MaxOcc	Level	Name
	1030	SG28	C	200000	1	LIN-PIA-IMD-QTY-MOA-FTX-SG32-SG33-SG39-SG53
	1080 47	QTY	C	99	2	Quantity

Standard			Implementation	
Tag	Name	St Format	St Format	Usage / Remark
QTY				
C186	Quantity details	M	M	
6063	Quantity type code qualifier	M an..3	M an..3	21 Ordered quantity
6060	Quantity	M an..35	M an..35	
6411	Measurement unit code	C an..3	C an..3	EA each

Remark:

Example:

QTY+21:6.000:EA'

No = Consecutive segment number
 MaxOcc = Maximum occurrence of the segment/group
 Counter = Counter of segment/group within the standard

St = Status
 EDIFACT: M=Mandatory, C=Conditional
 User specific: R=Required, O=Optional, D=Dependent,
 A=Advised, N=Not used

Segments

Counter	No	Tag	St	MaxOcc	Level	Name
	1030	SG28	C	200000	1	LIN-PIA-IMD-QTY-MOA-FTX-SG32-SG33-SG39-SG53
	1120	48 MOA	C	10	2	Monetary amount

Standard			Implementation	
Tag	Name	St Format	St Format	Usage / Remark
MOA				
C516	Monetary amount	M	M	
5025	Monetary amount type code qualifier	M an..3	M an..3	203 Line item amount Code 203 describes the net value of the line item.
5004	Monetary amount value	C n..35	C n..35	
6345	Currency identification code	C an..3	C an..3	EUR Euro

Remark:

Example:

MOA+203:247.23:EUR'

No = Consecutive segment number
MaxOcc = Maximum occurrence of the segment/group
Counter = Counter of segment/group within the standard

St = Status
EDIFACT: M=Mandatory, C=Conditional
User specific: R=Required, O=Optional, D=Dependent,
A=Advised, N=Not used

Segments

Counter	No	Tag	St	MaxOcc	Level	Name
1030		SG28	C	200000	1	LIN-PIA-IMD-QTY-MOA-FTX-SG32-SG33-SG39-SG53
1190	49	FTX	C	99	2	Free text

Standard			Implementation	
Tag	Name	St Format	St Format	Usage / Remark
FTX				
4451	Text subject code qualifier	M an..3	M an..3	AAA Goods description ACF Additional attribute information DEL Delivery information LIN Line item AAI General information WHI Warehouse instruction/information
C108	Text literal	C	C	
4440	Free text value	M an..512	M an..512	
3453	Language name code	C an..3	C an..3	

Remark:

In theory the STIHL employee (buyer) can add different types of text in the purchasing application. Practically spoken transmitting free text will be used very rarely. In order to maintain efficient transparency various qualifiers come with the FTX segment. It is up to the message receiver how to handle this text information.

Example:

FTX+AAA+++PK No. 3RP1505-1BP30+DE'

No = Consecutive segment number
 MaxOcc = Maximum occurrence of the segment/group
 Counter = Counter of segment/group within the standard

St = Status
 EDIFACT: M=Mandatory, C=Conditional
 User specific: R=Required, O=Optional, D=Dependent,
 A=Advised, N=Not used

Segments

Counter	No	Tag	St	MaxOcc	Level	Name
	1310	SG32	C	25	2	PRI
	1320	PRI	M	1	2	Price details

Standard			Implementation	
Tag	Name	St Format	St Format	Usage / Remark
PRI				
C509	Price information	C	C	AAA Calculation net
5125	Price qualifier	M an..3	M an..3	
5118	Price	C n..15	C n..15	
5284	Unit price basis	C n..9	C n..9	EA each
6411	Measurement unit code	C an..3	C an..3	

Remark:

Example:

PRI+AAA:41.21:::1:EA'

No = Consecutive segment number
 MaxOcc = Maximum occurrence of the segment/group
 Counter = Counter of segment/group within the standard

St = Status
 EDIFACT: M=Mandatory, C=Conditional
 User specific: R=Required, O=Optional, D=Dependent,
 A=Advised, N=Not used

Segments

Counter	No	Tag	St	MaxOcc	Level	Name
1370		SG33	C	9999	2	RFF-DTM
1380	51	RFF	M	1	2	Reference

Standard			Implementation	
Tag	Name	St Format	St Format	Usage / Remark
RFF				
C506	Reference	M	M	CG Consignee's order number
1153	Reference function code qualifier	M an..3	M an..3	
1156	Line number	C an..6	C an..6	
4000	Reference version identifier	C an..35	C an..35	

Remark:

This describes an internal reference to transmit the purchase order number of the customer's customer.
This segment (CG) only occurs on line item level if the reference information is not the same for all line items. If it is the same it occurs on head level in SG 1.

Example:

RFF+CG::17:1234567890'

No = Consecutive segment number
MaxOcc = Maximum occurrence of the segment/group
Counter = Counter of segment/group within the standard

St = Status
EDIFACT: M=Mandatory, C=Conditional
User specific: R=Required, O=Optional, D=Dependent,
A=Advised, N=Not used

Segments

Counter	No	Tag	St	MaxOcc	Level	Name
	1370	SG33	C	9999	2	RFF-DTM
	1390	DTM	C	5	3	Date/time/period

Standard			Implementation	
Tag	Name	St Format	St Format	Usage / Remark
DTM				
C507	Date/time/period	M	M	
2005	Date/time/period function code qualifier	M an..3	M an..3	171 Reference date/time
2380	Date/time/period value	C an..35	C an..35	
2379	Date/time/period format code	C an..3	C an..3	102 CCYYMMDD

Remark:

Example:

DTM+171:20061114:102'

No = Consecutive segment number
 MaxOcc = Maximum occurrence of the segment/group
 Counter = Counter of segment/group within the standard

St = Status
 EDIFACT: M=Mandatory, C=Conditional
 User specific: R=Required, O=Optional, D=Dependent,
 A=Advised, N=Not used

Segments

Counter	No	Tag	St	MaxOcc	Level	Name
1370		SG33	C	9999	2	RFF-DTM
1380	53	RFF	M	1	2	Reference

Standard			Implementation	
Tag	Name	St Format	St Format	Usage / Remark
RFF				
C506	Reference	M	M	IL Internal order number
1153	Reference function code qualifier	M an..3	M an..3	
1154	Reference identifier	C an..35	C an..35	
1156	Line number	C an..6	C an..6	

Remark:

Number assigned to an order for internal handling/follow up.

Example:

RFF+IL:200109491:1'

No = Consecutive segment number
 MaxOcc = Maximum occurrence of the segment/group
 Counter = Counter of segment/group within the standard

St = Status
 EDIFACT: M=Mandatory, C=Conditional
 User specific: R=Required, O=Optional, D=Dependent,
 A=Advised, N=Not used

Segments

Counter	No	Tag	St	MaxOcc	Level	Name	
	1370	SG33	C	9999	2	RFF-DTM	
	1390	54	DTM	C	5	3	Date/time/period

Standard			Implementation	
Tag	Name	St Format	St Format	Usage / Remark
DTM				
C507	Date/time/period	M	M	
2005	Date/time/period function code qualifier	M an..3	M an..3	171 Reference date/time
2380	Date/time/period value	C an..35	C an..35	
2379	Date/time/period format code	C an..3	C an..3	102 CCYYMMDD

Remark:

Example:

DTM+171:20061114:102'

No = Consecutive segment number
 MaxOcc = Maximum occurrence of the segment/group
 Counter = Counter of segment/group within the standard

St = Status
 EDIFACT: M=Mandatory, C=Conditional
 User specific: R=Required, O=Optional, D=Dependent,
 A=Advised, N=Not used

Segments

Counter	No	Tag	St	MaxOcc	Level	Name
	1640	SG39	C	999	2	NAD-SG42
	1650	NAD	M	1	2	Name and address

Standard			Implementation	
Tag	Name	St Format	St Format	Usage / Remark
NAD				
3035	Party function code qualifier	M an..3	M an..3	CN Consignee
C080	Party name	C	C	
3036	Party name	M an..35	M an..35	
C059	Street	C	C	
3042	Street and number/p.o. box	M an..35	M an..35	
3164	City name	C an..35	C an..35	
3251	Postal identification code	C an..17	C an..17	
3207	Country name code	C an..3	C an..3	

Remark:

The CN qualifier describes the person/company who logically receives the goods. The actual unloading point is carried in the DP segment. Frequently these addresses are the same. If logical (CN) and physical (DP) receiver are the same the DP segment is omitted.

Example: The logical receiving party (CN) is company Imp&Ex Inc. in Main Street. But this specific shipment has to be delivered to their external warehouse (DP) in Silent Lane.

This segment (CN) only occurs on line item level if the consignee address is not the same for all line items. If it is the same it occurs on head level in SG 2.

Example:

NAD+CN+++Andreas Stihl AG & CO. KG+Badstraße 115+Waiblingen++71336+DE'

No = Consecutive segment number
MaxOcc = Maximum occurrence of the segment/group
Counter = Counter of segment/group within the standard

St = Status
EDIFACT: M=Mandatory, C=Conditional
User specific: R=Required, O=Optional, D=Dependent,
A=Advised, N=Not used

Segments

Counter	No	Tag	St	MaxOcc	Level	Name	
	1740	SG42	C	5	3	CTA-COM	
	1750	56	CTA	M	1	3	Contact information

Standard			Implementation	
Tag	Name	St Format	St Format	Usage / Remark
CTA				
3139	Contact function code	C an..3	C an..3	CN Consignee
C056	Department or employee details	C	C	
3412	Department or employee	C an..35	C an..35	

Remark:

Example:

CTA+CN+:Consignee contact'

No = Consecutive segment number
 MaxOcc = Maximum occurrence of the segment/group
 Counter = Counter of segment/group within the standard

St = Status
 EDIFACT: M=Mandatory, C=Conditional
 User specific: R=Required, O=Optional, D=Dependent,
 A=Advised, N=Not used

Segments

Counter	No	Tag	St	MaxOcc	Level	Name	
	1740	SG42	C	5	3	CTA-COM	
	1760	57	COM	C	5	4	Communication contact

Standard			Implementation	
Tag	Name	St Format	St Format	Usage / Remark
COM				
C076	Communication contact	M	M	
3148	Communication number	M an..512	M an..512	
3155	Communication number code qualifier	M an..3	M an..3	FX Telefax TE Telephone EM Electronic mail

Remark:

Example:

COM+01234-245-1134:TE'

No = Consecutive segment number
 MaxOcc = Maximum occurrence of the segment/group
 Counter = Counter of segment/group within the standard

St = Status
 EDIFACT: M=Mandatory, C=Conditional
 User specific: R=Required, O=Optional, D=Dependent,
 A=Advised, N=Not used

Segments

Counter	No	Tag	St	MaxOcc	Level	Name
	1640	SG39	C	999	2	NAD-SG42
	1650	NAD	M	1	2	Name and address

Standard			Implementation	
Tag	Name	St Format	St Format	Usage / Remark
NAD				
3035	Party function code qualifier	M an..3	M an..3	DP Delivery party
C080	Party name	C	C	
3036	Party name	M an..35	M an..35	
C059	Street	C	C	
3042	Street and number/p.o. box	M an..35	M an..35	
3164	City name	C an..35	C an..35	
3251	Postal identification code	C an..17	C an..17	
3207	Country name code	C an..3	C an..3	

Remark:

The DP segment provides the necessary information if the physical unloading point differs from the consignee's (CN) address. This segment (DP) only occurs on line item level if the DP address is not the same for all line items. If it is the same it occurs on head level in SG 2.

Example:

NAD+DP+++Andreas Stihl AG & CO. KG+Badstraße 115+Waiblingen++71336+DE'

No = Consecutive segment number
 MaxOcc = Maximum occurrence of the segment/group
 Counter = Counter of segment/group within the standard

St = Status
 EDIFACT: M=Mandatory, C=Conditional
 User specific: R=Required, O=Optional, D=Dependent,
 A=Advised, N=Not used

Segments

Counter	No	Tag	St	MaxOcc	Level	Name
	1740	SG42	C	5	3	CTA-COM
	1750	59 CTA	M	1	3	Contact information

Standard			Implementation	
Tag	Name	St Format	St Format	Usage / Remark
CTA				
3139	Contact function code	C an..3	C an..3	GR Goods receiving contact
C056	Department or employee details	C	C	
3412	Department or employee	C an..35	C an..35	

Remark:

Example:

CTA+GR+:Goods receiving contact person'

No = Consecutive segment number
 MaxOcc = Maximum occurrence of the segment/group
 Counter = Counter of segment/group within the standard

St = Status
 EDIFACT: M=Mandatory, C=Conditional
 User specific: R=Required, O=Optional, D=Dependent,
 A=Advised, N=Not used

Segments

Counter	No	Tag	St	MaxOcc	Level	Name
1740		SG42	C	5	3	CTA-COM
1760	60	COM	C	5	4	Communication contact

Standard			Implementation	
Tag	Name	St Format	St Format	Usage / Remark
COM				
C076	Communication contact	M	M	
3148	Communication number	M an..512	M an..512	
3155	Communication number code qualifier	M an..3	M an..3	FX Telefax TE Telephone EM Electronic mail

Remark:

Example:

COM+01234-245-1134:TE'

No = Consecutive segment number
 MaxOcc = Maximum occurrence of the segment/group
 Counter = Counter of segment/group within the standard

St = Status
 EDIFACT: M=Mandatory, C=Conditional
 User specific: R=Required, O=Optional, D=Dependent,
 A=Advised, N=Not used

Segments

Counter	No	Tag	St	MaxOcc	Level	Name
2090		SG53	C	100	2	SCC-SG54
If the line item quantity has to split into several delivery dates SG53 carries the corresponding shipment dates. The sum of all SG54 quantities has to correspond with the value in SG28.						
2100	61	SCC	M	1	2	Scheduling conditions

		Standard	Implementation	
Tag	Name	St Format	St Format	Usage / Remark
SCC				
4017	Delivery plan commitment level code	M an..3	M an..3	1 Firm

Remark:

Example:

SCC+1'

No = Consecutive segment number
 MaxOcc = Maximum occurrence of the segment/group
 Counter = Counter of segment/group within the standard

St = Status
 EDIFACT: M=Mandatory, C=Conditional
 User specific: R=Required, O=Optional, D=Dependent,
 A=Advised, N=Not used

Segments

Counter	No	Tag	St	MaxOcc	Level	Name
	2130	SG54	C	10	3	QTY-DTM
	2140	QTY	M	1	3	Quantity

Standard			Implementation	
Tag	Name	St Format	St Format	Usage / Remark
QTY				
C186	Quantity details	M	M	
6063	Quantity type code qualifier	M an..3	M an..3	11 Split quantity
6060	Quantity	M an..35	M an..35	
6411	Measurement unit code	C an..3	C an..3	EA each

Remark:

Example:

QTY+11:6.000:EA'

No = Consecutive segment number
 MaxOcc = Maximum occurrence of the segment/group
 Counter = Counter of segment/group within the standard

St = Status
 EDIFACT: M=Mandatory, C=Conditional
 User specific: R=Required, O=Optional, D=Dependent,
 A=Advised, N=Not used

Segments

Counter	No	Tag	St	MaxOcc	Level	Name
	2130	SG54	C	10	3	QTY-DTM
	2150	DTM	C	5	4	Date/time/period

Standard			Implementation	
Tag	Name	St Format	St Format	Usage / Remark
DTM				
C507	Date/time/period	M	M	
2005	Date/time/period function code qualifier	M an..3	M an..3	2 Delivery date/time, requested
2380	Date/time/period value	C an..35	C an..35	
2379	Date/time/period format code	C an..3	C an..3	102 CCYYMMDD

Remark:

Example:

DTM+2:20060116:102'

No = Consecutive segment number
 MaxOcc = Maximum occurrence of the segment/group
 Counter = Counter of segment/group within the standard

St = Status
 EDIFACT: M=Mandatory, C=Conditional
 User specific: R=Required, O=Optional, D=Dependent,
 A=Advised, N=Not used

Segments

Counter	No	Tag	St	MaxOcc	Level	Name
2320	64	UNS	M	1	0	Section control

Standard			Implementation	
Tag	Name	St Format	St Format	Usage / Remark
UNS				
0081	Section identification	M a1	M a1	S Detail/summary section separation

Remark:

Example:

UNS+S'

No = Consecutive segment number
 MaxOcc = Maximum occurrence of the segment/group
 Counter = Counter of segment/group within the standard

St = Status
 EDIFACT: M=Mandatory, C=Conditional
 User specific: R=Required, O=Optional, D=Dependent,
 A=Advised, N=Not used

Segments

Counter	No	Tag	St	MaxOcc	Level	Name
2330	65	MOA	C	99	1	Monetary amount

Standard			Implementation	
Tag	Name	St Format	St Format	Usage / Remark
MOA				
C516	Monetary amount	M	M	22 Cash on delivery amount
5025	Monetary amount type code qualifier	M an..3	M an..3	
5004	Monetary amount value	C n..35	C n..35	

Remark:

This segment occurs only if cash on delivery is agreed. The currency is given in SG 7.

Example:

MOA+22:117.45'

No = Consecutive segment number
 MaxOcc = Maximum occurrence of the segment/group
 Counter = Counter of segment/group within the standard

St = Status
 EDIFACT: M=Mandatory, C=Conditional
 User specific: R=Required, O=Optional, D=Dependent,
 A=Advised, N=Not used

Segments

Counter	No	Tag	St	MaxOcc	Level	Name
2340	66	CNT	C	10	1	Control total

Standard			Implementation	
Tag	Name	St Format	St Format	Usage / Remark
CNT				
C270	Control	M	M	2 Number of line items in message
6069	Control total type code qualifier	M an..3	M an..3	
6066	Control value	M n..18	M n..18	

Remark:

Example:

CNT+2:2'

No = Consecutive segment number
 MaxOcc = Maximum occurrence of the segment/group
 Counter = Counter of segment/group within the standard

St = Status
 EDIFACT: M=Mandatory, C=Conditional
 User specific: R=Required, O=Optional, D=Dependent,
 A=Advised, N=Not used

Segments

Counter	No	Tag	St	MaxOcc	Level	Name
2390	67	UNT	M	1	0	Message trailer

Standard			Implementation	
Tag	Name	St Format	St Format	Usage / Remark
UNT				
0074	Number of segments in a message	M n..10	M n..10	
0062	Message reference number	M an..14	M an..14	

Remark:

Example:

UNT+66+89'

No = Consecutive segment number
 MaxOcc = Maximum occurrence of the segment/group
 Counter = Counter of segment/group within the standard

St = Status
 EDIFACT: M=Mandatory, C=Conditional
 User specific: R=Required, O=Optional, D=Dependent,
 A=Advised, N=Not used

Segments

Counter	No	Tag	St	MaxOcc	Level	Name
0000	68	UNZ	M	1	0	Interchange trailer

Standard			Implementation	
Tag	Name	St Format	St Format	Usage / Remark
UNZ				
0036	Interchange control count	M n..6	M n..6	
0020	Interchange control reference	M an..14	M an..14	

Remark:

Example:

UNZ+1+82'

No = Consecutive segment number
 MaxOcc = Maximum occurrence of the segment/group
 Counter = Counter of segment/group within the standard

St = Status
 EDIFACT: M=Mandatory, C=Conditional
 User specific: R=Required, O=Optional, D=Dependent,
 A=Advised, N=Not used

ORDERS
Sample message

Purchase order message



No	Tag	Example
01	UNB	UNB+UNOC:4+STIHL:ZZZ+SUPPLIER_ID:ZZZ+20060104:1616+82'
02	UNH	UNH+89+ORDERS:D:99B:UN'
03	BGM	BGM+220:::ORDER+4500176447+9'
04	DTM	DTM+137:20060104:102'
05	FTX	FTX+AAI+++Die Bezahlung erfolgt zu unseren Zahlungsterminen am 15. b zw. 30. desjeweiligen Monats in Abhängigkeit vom Rechnungseingang (s iehe hierzu unsere Einkaufsbedingungen). Erfolgt der Rechnungseingang später als 8Tage vor dem jeweiligen Zahlungstermin, so erfolgt die Zahlung zumdarauf folgenden STIHL-Zahlungstermin.Die von uns genant en Bestelldaten (Preis, Liefertermin, etc.)betrachten wir als akzept iert, sofern uns innerhalb von 5 Arbeitstagen:keine anderslautende A uftragsbestätigung vorliegt.Bitte geben Sie im gesamten Schriftverke hr außer der Bestellnummerauch unsere Bestell-Position, Sachnummer u nd Bezeichnung an.Grundlage der Bestellung sind die STIHL-Einkaufsbe dingungen, StandJanuar 2002. Sie können im Einkauf abgerufen werden. Außerdem sind dieEinkaufsbedingungen im Internet unter http???://ww w.stihl.de/einkauf/hinterlegt.:Schriftverkehr (Rechnungen, Liefersch ein etc.) benötigen wir nur inl-facher Ausführung.Für die Beauftragu ng von Dienstleistungen gilt???:Der Dienstleister sichert zu, dass e r und ggf. seine Subunternehmer,den gesetzlichen Pflichten zur Zahlu ng der Steuern, der Beiträge zuallen Sozialversicherungen und der Be rufsgenossenschaft ordnungsgemäßnachkommen. Er verpflichtet sich ins besondere, alle gesetzlichen und:behördlichen Bestimmungen für den E insatz von Arbeitskräfteneinzuhalten.Bitte adressieren Sie Ihre Rech nungen ausschließlichmit folgender Firmierung???:Andreas Stihl AG & Co. KGRechnungen die nicht auf unsere richtige Firmenbezeichnung aus gestellt sind müssen wir leider zurückschicken.+DE'
06	FTX	FTX+AAB++CASH::ZZZ+COD (Cash On Delivery is agreed)'
	SG1	
07	RFF	RFF+AOG:::Q20/200 #0000000026100922'
08	DTM	DTM+171:20050913:102'
	SG1	
09	RFF	RFF+CG:::1234567890'
10	DTM	DTM+171:20061114:102'
	SG1	
11	RFF	RFF+AEP:PAINT3D'
12	DTM	DTM+171:20061114:102'
	SG1	
13	RFF	RFF+VN:8953/78'
14	DTM	DTM+171:20061114:102'
	SG1	
15	RFF	RFF+CO:987654'
16	DTM	DTM+171:20050913:102'
	SG1	
17	RFF	RFF+IL:200109491'
18	DTM	DTM+171:20050913:102'
	SG2	
19	NAD	NAD+BY+34112938:::91++Andreas Stihl AG & CO. KG:Plant 1+Badstraße 115 +Waiblingen++71336+DE'
	SG5	
20	CTA	CTA+PD+:Yvonne Heublein'
21	COM	COM+07151-26-2222:TE'
	SG5	
22	CTA	CTA+SR+:Iris Bauer'

No = Consecutive segment number

ORDERS
Sample message

Purchase order message



No	Tag	Example
23	COM	COM+07151-268-2222:FX'
	SG2	
24	NAD	NAD+SU+0090006145::92++Supplier name:Supplier name+Supplier street a nd number+Supplier city++0815+DE'
	SG5	
25	CTA	CTA+SU+:Supplier contact person'
26	COM	COM+01234-245-1134:TE'
	SG2	
27	NAD	NAD+CN+1234567::92++Andreas Stihl AG & CO. KG:Plant 1+Badstraße 115+ Waiblingen++71336+DE'
	SG5	
28	CTA	CTA+CN+:Consignee contact'
29	COM	COM+01234-245-1134:TE'
	SG2	
30	NAD	NAD+DP+987654321::91++Andreas Stihl AG & CO. KG:Plant 1+Badstraße 11 5+Waiblingen++71336+DE'
	SG5	
31	CTA	CTA+GR+:Goods receving contact person'
32	COM	COM+01234-245-1134:TE'
	SG2	
33	NAD	NAD+P1+++Jack Daniels:Warehousekeeper'
	SG5	
34	CTA	CTA+NT'
35	COM	COM+01234-245-1134:TE'
	SG2	
36	NAD	NAD+CA+0000607438::92++Schweitzerlander GmbH & Co.:International Tru cks and Transports+Carl-Benz-Street 23+Lewismountain++71634+DE'
	SG5	
37	CTA	CTA+NT'
38	COM	COM+01234-245-1134:TE'
	SG7	
39	CUX	CUX+2:EUR:9'
	SG10	
40	TDT	TDT+20+++17:05'
	SG11	
41	LOC	LOC+1'
42	DTM	DTM+2'
	SG12	
43	TOD	TOD+6++CIP:::Einschl. Verpackung:Incoterms 2000'
	SG28	
44	LIN	LIN+1++3RP1505-1BP30:SA'
45	PIA	PIA+1+07510502253:IN'
46	IMD	IMD+A:::92+:::Free text item description'
47	QTY	QTY+21:6.000:EA'
48	MOA	MOA+203:247.23:EUR'
49	FTX	FTX+AAA+++PK No. 3RP1505-1BP30+DE'
	SG32	
50	PRI	PRI+AAA:41.21:::1:EA'
	SG33	
51	RFF	RFF+CG:::17:1234567890'

No = Consecutive segment number

Sample message

No	Tag	Example
52	DTM	DTM+171:20061114:102'
	SG33	
53	RFF	RFF+IL:200109491:1'
54	DTM	DTM+171:20061114:102'
	SG39	
55	NAD	NAD+CN+++Andreas Stihl AG & CO. KG+Badstraße 115+Waiblingen++71336+DE'
	SG42	
56	CTA	CTA+CN+:Consignee contact'
57	COM	COM+01234-245-1134:TE'
	SG39	
58	NAD	NAD+DP+++Andreas Stihl AG & CO. KG+Badstraße 115+Waiblingen++71336+DE'
	SG42	
59	CTA	CTA+GR+:Goods receiving contact person'
60	COM	COM+01234-245-1134:TE'
	SG53	
61	SCC	SCC+1'
	SG54	
62	QTY	QTY+11:6.000:EA'
63	DTM	DTM+2:20060116:102'
64	UNS	UNS+S'
65	MOA	MOA+22:117.45'
66	CNT	CNT+2:2'
67	UNT	UNT+66+89'
68	UNZ	UNZ+1+82'

No = Consecutive segment number

Permitted Codes of Data elements

List of permitted codes of data elements / code lists

0001 Syntax identifier

Code	Name/Description
UNOC	UN/ECE level C As defined in ISO 8859-1 : Information processing - Part 1: Latin alphabet No. 1.

0002 Syntax version number

Code	Name/Description
3	Version 3 ISO 9735 Amendment 1:1992.
4	Version 4 ISO 9735:1998.

0007 Identification code qualifier

Code	Name/Description
ZZZ	Mutually defined Self explanatory.

0051 Controlling agency, coded

Code	Name/Description
UN	UN/CEFACT United Nations Centre for the Facilitation of procedures and practices for Administration, Commerce and Transport (UN/CEFACT).

0052 Message version number

Code	Name/Description
D	Draft version/UN/EDIFACT Directory Message approved and issued as a draft message (Valid for directories published after March 1993 and prior to March 1997). Message approved as a standard message (Valid for directories published after March 1997).

0054 Message release number

Code	Name/Description
99B	Release 1999 - B Message approved and issued in the second 1999 release of the UNTDID (United Nations Trade Data Interchange Directory).

0065 Message type

Code	Name/Description
ORDERS	Purchase order message A code to identify the purchase order message.

0081 Section identification

Code	Name/Description
S	Detail/summary section separation To qualify the segment UNS, when separating the detail from the summary section of a message.

1000 Document name

Code	Name/Description
ORDER	

1001 Document name code

Code	Name/Description
220	Order Document/message by means of which a buyer initiates a transaction with a seller involving the supply of goods or services as specified, according to conditions set out in an offer, or otherwise known to the buyer.

1153 Reference function code qualifier

Code	Name/Description
AEP	Project number Reference number assigned to a project.
AOG	Source document internal reference Reference number assigned to a source document for internal usage.
CG	Consignee's order number Self explanatory.
CO	Buyers order number [1022] Reference number assigned by the buyer to an order.
IL	Internal order number Number assigned to an order for internal handling/follow up.
VN	Order number (vendor) Reference number assigned by supplier to a buyer's purchase order.

1225 Message function code

Code	Name/Description
9	Original Initial transmission related to a given transaction.

2005 Date/time/period function code qualifier

Code	Name/Description
2	Delivery date/time, requested Date on which buyer requests goods to be delivered.
3	Invoice date/time [2376] Date when a Commercial Invoice is issued.
4	Order date/time [2010] Date when an order is issued.
7	Effective date/time Date and/or time at which specified event or document becomes effective.
8	Order received date/time Date/time when the purchase order is received by the seller.
9	Processing date/time Date/time of processing.
10	Shipment date/time, requested Date on which goods should be shipped or despatched by the supplier.
11	Despatch date and or time (2170) Date/time on which the goods are or are expected to be despatched or shipped.
12	Terms discount due date/time Date by which payment should be made if discount terms are to apply.
13	Terms net due date Date by which payment must be made.
14	Payment date/time, deferred Date/time when instalments are due.
15	Promotion start date/time Date/time when promotion activities begin.
16	Promotion end date/time Date/time when promotion activities end.
17	Delivery date/time, estimated Date and/or time when the shipper of the goods expects delivery will take place.
18	Installation date/time/period Self explanatory.
20	Cheque date/time Date/time when cheque is issued.
21	Charge back date/time Description to be provided.
22	Freight bill date/time Date/time when freight bill is issued.
35	Delivery date/time, actual

	Date/time on which goods or consignment are delivered at their destination.
36	Expiry date Date of expiry of the validity of a referenced document, price information or any other referenced data element with a limited validity period.
37	Ship not before date/time Goods should not be shipped before given date/time.
38	Ship not later than date/time Date/time by which the goods should have been shipped.
39	Ship week of date Date identifying the week during which goods should be shipped.
42	Superseded date/time Date/time being overlaid by a date given elsewhere.
44	Availability Date/time when received item is available.
45	Compilation date and time Date and time of the compilation.
46	Cancellation date Date on which a document or message has been cancelled.
47	Statistical time series date Date for statistical time series purposes.
48	Duration Duration.
49	Deliver not before and not after dates Deliver not before and not after a specific date range.
50	Goods receipt date/time Date/time upon which the goods were received by a given party.
51	Cumulative quantity start date First Date for accumulation of delivery quantities.
52	Cumulative quantity end date Last Date for accumulation of delivery quantities.
53	Buyer's local time Time at the buyer's location.
54	Seller's local time Time at the seller's location.
55	Confirmed date/time Date/time which has been confirmed.
58	Clearance date (Customs) (3080) Date on which Customs formalities necessary to allow goods to be exported, to enter home use, or to be placed under another Customs procedure has been accomplished (CCC).
59	Inbound movement authorization date Inland movement authorization date.
60	Engineering change level date Date the engineering level of goods is changed.
61	Cancel if not delivered by this date Self explanatory.

63	Delivery date/time, latest Date identifying a point of time after which goods shall not or will not be delivered.
64	Delivery date/time, earliest Date identifying a point in time before which the goods shall not be delivered.
65	Delivery date/time, 1st schedule Self explanatory.
67	Delivery date/time, current schedule Delivery Date deriving from actual schedule.
69	Delivery date/time, promised for [2138] Date by which, or period within which, the merchandise should be delivered to the buyer, as agreed between the seller and the buyer (generic term).
71	Delivery date/time, requested for (after and including) Delivery is requested to happen after or on given date.
72	Delivery date/time, promised for (after and including) Delivery might take place earliest at given date.
74	Delivery date/time, requested for (prior to and including) Delivery is requested to happen prior to or including the given date.
75	Delivery date/time, promised for (prior to and including) Delivery might take place latest at given date.
76	Delivery date/time, scheduled for Self explanatory.
79	Shipment date/time, promised for Shipment might happen at given date/time.
81	Shipment date/time, requested for (after and including) Shipment should happen earliest at given date.
84	Shipment date/time, requested for (prior to and including) Shipment should take place latest at given date.
85	Shipment date/time, promised for (prior to and including) Shipment might take place latest at given date.
89	Inquiry date Self explanatory.
90	Report start date Self explanatory.
91	Report end date Self explanatory.
92	Contract effective date Date when a contract becomes valid.
93	Contract expiry date Date when a contract expires.
94	Production/manufacture date Date on which goods are produced.
95	Bill of lading date Date as specified on the bill of lading.
96	Discharge date/time

	Date/time when goods should, might or have been discharged from the means of transport.
97	Transaction creation date Self explanatory.
101	Production date, no schedule established as of Date as of there is no valid production schedule.
107	Deposit date/time Self explanatory.
108	Postmark date/time Self explanatory.
109	Receive at lockbox date The date on which a financial institution, serving as collection agency for a company located in another part of the country, collects an amount of money on behalf of that company.
110	Ship date, originally scheduled The date on which the shipment of goods was originally scheduled.
111	Manifest/ship notice date The date of issuance of a manifest or ship notice.
112	First interest-bearing date The first date from which interest is borne.
113	Sample required date Date as of a sample has to be available customer defined.
114	Tooling required date Date as of a tool has to be available customer defined.
115	Sample available date Date as of a sample will be available seller defined.
116	Equipment return period, expected Period until which equipment is expected to be hired.
117	Delivery date/time, first First possible date/time for delivery.
118	Cargo booking confirmed date/time Date/time at which the cargo booking has been accepted by the carrier.
119	Test completion date Date when a test has been completed.
120	Last interest-bearing date The last date from which interest is borne.
121	Entry date Date of entry.
122	Contract completion date The date a contract is completed.
123	Documentary credit expiry date/time The latest date/time for presentation of the documents to the bank where the credit expires.
124	Despatch note date [2218] Date when a Despatch Note is issued.
125	Import licence date [2292] Date when Import Licence is issued.

126	Contract date [2326] Date when a Contract is agreed.
127	Previous report date Date of the previous report.
128	Delivery date/time, last Date when the last delivery should be or has been accomplished.
129	Exportation date Date when imported vessel/merchandise last left the country of export for the country of import.
130	Current report date Date of the current report.
131	Tax point date Date on which tax is due or calculated.
132	Arrival date/time, estimated (2348) Date/time when carrier estimates that a means of transport should arrive at the port of discharge or place of destination.
133	Departure date/time, estimated Date/time when carrier estimates that a means of transport should depart at the place of departure.
134	Rate of exchange date/time Date/time on which the exchange rate was fixed.
135	Telex date Date identifying when a telex message was sent.
136	Departure date/time [2280] Date (and time) of departure of means of transport.
137	Document/message date/time (2006) Date/time when a document/message is issued. This may include authentication.
138	Payment date [2034] Date on which an amount due is made available to the creditor, in accordance with the terms of payment.
140	Payment due date Date/time at which funds should be made available.
141	Presentation date of Goods declaration (Customs) [2032] Date on which a Goods declaration is presented or lodged with Customs.
142	Labour wage determination date The date a labour wage is determined.
143	Acceptance date/time of goods [2126] Date on which the goods are taken over by the carrier at the place of acceptance (CMR 4).
144	Quota date Date that the quota applies to.
145	Event date A date specifying an event.
146	Entry date, estimated (Customs) Date on which the official date of Customs entry is anticipated.
147	Expiry date of export licence

	[2078] Date of expiry of the validity of an Export Licence.
148	Acceptance date of Goods declaration (Customs) [2036] Date on which a Goods declaration is accepted by Customs in accordance with Customs legislation.
149	Invoice date, required Date required for invoice issue.
150	Declaration/presentation date Date when item has been or has to be declared/presented.
151	Importation date Date on which goods are imported, as determined by the governing Customs administration.
152	Exportation date for textiles Date when imported textiles last left the country of origin for the country of importation.
153	Cancellation date/time, latest The latest date/time on which cancellation of the payment order may be requested.
154	Acceptance date of document The date on which a document was accepted.
155	Accounting period start date Self explanatory.
156	Accounting period end date Self explanatory.
157	Validity start date Self explanatory.
158	Horizon start date The first date of a period forming a horizon.
159	Horizon end date The last date of a period forming a horizon.
160	Authorization date Date when an authorization was given.
161	Release date of customer Date the customer authorised the goods' release.
162	Release date of supplier Date when the supplier released goods.
163	Processing start date/time Date/Time when a specific process starts.
164	Processing end date/time Date/Time when a specific process ends.
165	Tax period start date Date when a tax period begins.
166	Tax period end date Date when a tax period ends.
167	Charge period start date The charge period's first date.
168	Charge period end date The charge period's last date.

169	Lead time Time required between order entry till earliest goods delivery.
170	Settlement due date More generic than 'payment due date' and therefore more apt for reinsurance/insurance business.
171	Reference date/time Date/time on which the reference was issued.
172	Hired from date Date from which an item has been or will be hired.
173	Hired until date Date until which an item has been or will be hired.
174	Advise after date/time The information must be advised after the date/time indicated.
175	Advise before date/time The information must be advised before the date/time indicated.
176	Advise completed date/time The advise has been completed at the date indicated.
177	Advise on date/time The information must be advised on the date/time indicated.
178	Arrival date/time, actual [2106] Date (and time) of arrival of means of transport.
179	Booking date/time Date at which the booking was made.
180	Closing date/time Final date for delivering cargo to a liner ship.
181	Positioning date/time of equipment Date/time when equipment is positioned.
182	Issue date Date when a document/message has been or will be issued.
183	Date, as at Date related to a given context.
184	Notification date/time Date/time of notification.
185	Commenced tank cleaning date/time The date/and or time tank cleaning was started.
186	Departure date/time, actual (2280) Date (and time) of departure of means of transport.
187	Authentication date/time of document Date/time when the document is signed or otherwise authenticated.
188	Previous current account date Date of the previous current account.
189	Departure date/time, scheduled Date (and time) of scheduled departure of means of transport.
190	Transshipment date/time

	Date and time of the transfer of the goods from one means of transport to another.
191	Delivery date/time, expected Date/time on which goods are expected to be delivered.
192	Expiration date/time of customs document Date on which validity of a customs document expires.
193	Execution date The date when ordered bank initiated the transaction.
194	Start date/time Date/time on which a period starts.
195	Expiry date of import licence [2272] Date of expiry of the validity of an Import Licence.
196	Departure date/time, earliest Date/time of earliest departure of means of transport.
197	Lay-time first day First of a number of days allowed in a charter party of the loading and discharging of cargo.
198	Lay-time last day Last of a number of days allowed in a charter party for the loading and discharging of cargo.
199	Positioning date/time of goods The date and/or time the goods have to be or have been positioned.
200	Pick-up/collection date/time of cargo Date/time at which the cargo is picked up.
201	Pick-up date/time of equipment Date/time at which the equipment is picked up.
202	Posting date The date when an entry is posted to an account.
203	Execution date/time, requested The date/time on which the ordered bank is requested to initiate the payment order, as specified by the originator (e.g. the date of the debit).
204	Release date (Customs) Date on which Customs releases merchandise to the carrier or importer.
205	Settlement date Date for settlement of financial transaction e.g. foreign exchange securities.
206	End date/time Date/time on which a period (from - to) ends.
207	Commenced pumping ballast date/time Date/time on which the intake of materials to be carried to improve the trim and the stability of the means of transport, was commenced.
208	Departure date/time, ultimate Date/time at which a means of transport has to depart ultimately.
209	Value date Date on which the funds are at the disposal of the beneficiary or cease to be at the disposal of the ordering customer.
210	Reinsurance current account period Description to be provided.
211	360/30

	Calculation is based on year of 360 days, month of 30 days.
212	360/28-31 Calculation is based on year of 360 days, month of 28-31 days.
213	365-6/30 Calculation is based on year of 365-6 days, month of 30 days.
214	365-6/28-31 Calculation is based on year of 365-6 days, month of 28-31 days.
215	365/28-31 Calculation is based on year of 365 days, month of 28-31 days.
216	365/30 Calculation is based on year of 365 days, month of 30 days.
217	From date of award to latest delivery Lead time to determine the latest date a delivery can be made based on the date an award is made.
218	Authentication/validation date/time Self explanatory.
219	Crossborder date/time Date/time at which goods are transferred across a country border.
221	Interest period Number of days used for the calculation of interests.
222	Presentation date, latest Latest date for presentation of a document.
223	Delivery date/time, deferred New date and time of delivery calculated on basis of a consignee's requirement (chargeable).
224	Permit to admit date Date on which permission was granted to move merchandise into a bonded warehouse or free trade zone.
225	Certification of weight date/time Date/time at which the carrier proceeds to the weighting of the goods.
226	Discrepancy date/time Date/time at which a discrepancy has been found.
227	Beneficiary's banks due date Date on which funds should be made available to the beneficiary's bank.
228	Debit value date, requested Date on which the account owner wants the debit value to his account.
229	Hoses connected date/time The date and/or time hoses were connected.
230	Hoses disconnected date/time The date and/or time hoses were disconnected.
231	Arrival date/time, earliest Date/time of earliest arrival of means of transport.
232	Arrival date/time, scheduled Date (and time) of scheduled arrival of means of transport.
233	Arrival date/time, ultimate Date (and time) of ultimate arrival of means of transport.

234	Collection date/time, earliest The transport order may be issued before the goods are ready for picking up. This date/time indicates from when on the carrier can have access to the consignment.
235	Collection date/time, latest In relation with the arrangements agreed between buyer and seller or between sender and main transport it may be necessary to specify the latest collection date/time.
236	Completed pumping ballast date/time Date/time at which the intake of materials, to be carried to improve the trim and the stability of the means of transport, was completed.
237	Completed tank cleaning date/time The date and/or time tank cleaning was completed.
238	Tanks accepted date/time The date and/or time the tanks are to be or have been accepted.
239	Tanks inspected date/time The date and/or time the tanks are to be or have been inspected.
240	Reinsurance accounting period To identify a reinsurance account period via start and end dates. Note: This period is not the same as "reinsurance current account period".
241	From date of award to earliest delivery Lead time to determine the earliest date a delivery can be made based on the date an award is made.
242	Preparation date/time of document Date and/or time that the document was prepared.
243	Transmission date/time of document Self explanatory.
244	Settlement date, planned Self explanatory.
245	Underwriting year Year in which the treaty was commenced.
246	Accounting year Year considered for accounting of the treaty or portion of the treaty.
247	Year of occurrence Year in which a specific event (e.g. a loss) took place.
248	Loss Date, time, period on which a referenced loss occurred.
249	Cash call date Date on which a cash call was made for a loss suffered and covered.
250	Re-exportation date Date of re-exportation.
251	Re-importation date Date of re-importation.
252	Arrival date/time at initial port Date/time that the conveyance arrives at the initial port in the country of destination.
253	Departure date/time from last port of call Date/time that conveyance departed from the last foreign port of call.

254	Registration date of previous Customs declaration Registration date of the Customs declaration for the previous Customs procedure either in the same or another country.
255	Availability due date Date when ordered items should be available at a specified location.
256	From date of award to completion Lead time to determine the completion date of an effort based on the date an award is made.
257	Calculation date Self explanatory.
258	Guarantee date Date when a guarantee is placed.
259	Conveyance registration date Date when a vessel, vehicle or other means of transport was registered by a competent authority.
260	Valuation date (Customs) Date when Customs valuation was made.
261	Release date/time Date/time assigned to identify the release of a set of rules, conditions, conventions, productions, etc.
262	Closure date/time/period Date/time/period when an enterprise is closed.
263	Invoicing period Period for which an invoice is issued.
264	Release frequency Frequency of a release.
265	Due date Self explanatory.
266	Validation date Self explanatory.
267	Rate/price date/time Date/time on which a rate/price is determined.
268	Transit time/limits Description to be provided.
270	Ship during date The date identifying the period during or in which the goods should be shipped.
271	Ship on or about date Date on or about which goods should be shipped.
272	Documentary credit presentation period The specification of the period of time, expressed in number of days, after the date of issuance of the transport document(s) within which the documents must be presented.
273	Validity period Dates (from/to)/period referenced documents are valid.
274	From date of order receipt to sample ready Lead time is the defined timespan.
275	From date of tooling authorization to sample ready

	Lead time is the defined timespan.
276	From date of receipt of tooling aids to sample ready Lead time is the defined timespan.
277	From date of sample approval to first product shipment Lead time is the defined timespan.
278	From date of order receipt to shipment Lead time is the defined timespan.
279	From date of order receipt to delivery Lead time is the defined timespan.
280	From last booked order to delivery Lead time is the defined timespan.
281	Date of order lead time Lead time is referenced to the date of order.
282	Confirmation date lead time Lead time is referenced to the date of confirmation.
283	Arrival date/time of transport lead time Lead time is referenced to the date a transport will arrive or has arrived.
284	Before inventory is replenished based on stock check lead time Lead time is the defined timespan.
285	Invitation to tender date/time Date/time on which the invitation to tender has been made available to relevant parties.
286	Tender submission date/time Date/time on which the tender was submitted.
287	Contract award date/time Date/time on which the contract is awarded to a tenderer.
288	Price base date/time Base date/time of prices.
289	Interest rate validity period Validity period of the interest rate.
290	Contractual start date/time Date/time on which activities stated in the contract must start.
291	Start date/time, planned Self explanatory.
292	Works completion date/time, planned Self explanatory.
293	Works completion date/time, actual Self explanatory.
294	Hand over date/time, planned Date/time on which hand over (i.e. the transfer of responsibility for an object or activity such as documentation, system etc. from one party to another) is planned to take place.
295	Hand over date/time, actual Date/time on which hand over (i.e. the transfer of responsibility for an object or activity such as documentation, system etc. from one party to another) actually takes place.
296	Retention release date/time Date/time on which the retention is released.

297	Retention release date/time, partial Date/time on which the retention is partially released.
298	Escalation start date Value date of the indexes appearing as denominators in an escalation formula.
299	Price adjustment start date Value date of the indexes appearing as denominators in a price adjustment formula.
300	Price adjustment limit date Limit value date of indexes used as numerators in a price adjustment formula.
301	Value date of index Date of validity of index values.
302	Publication date Self explanatory.
303	Escalation date Value date of indexes appearing as numerators in an escalation formula.
304	Price adjustment date Value date of indexes appearing as numerators in a price adjustment formula.
305	Latest price adjustment date Date on which the latest price adjustment took place.
306	Work period Period of execution of works.
307	Payment instruction date/time Date/time on which a payment instruction was given.
308	Payment valuation presentation date/time Date/time on which the payment valuation is presented.
309	Blanks value date The date on which the funds are at the disposal of the receiving bank.
310	Received date/time Date/time of receipt.
311	On Fixed maturity day for deferred payment or time draft(s).
312	Ship not before and not after date/time Shipment(s) of goods is/are to be made not before the first specified date/time and not after the second specified date/time.
313	Order to proceed date Issue date of an instruction to start work.
314	Planned duration of works Self explanatory.
315	Agreement to pay date Date on which the debtor agreed to pay.
316	Valuation date/time Date/time of valuation.
317	Reply date Self explanatory.
318	Request date

	The date on which something was asked for.
319	Customer value date Date at which funds are taken into account for interest calculation (in debit or credit).
320	Declaration reference period Reference period of a set of items reported on the same declaration.
321	Promotion date/period Date/period relevant for specific promotion activities.
322	Accounting period Self-explanatory.
323	Horizon period Period forming a (planning) horizon.
324	Processing date/period Date/period a specific process happened/will happen.
325	Tax period Period a tax rate/tax amount etc. is applicable.
326	Charge period Period a specified charge is valid for.
327	Instalment payment due date Self-explanatory.
328	Payroll deduction date/time Date/time of a monetary deduction made from the salary of a person on a payroll.
329	Birth date/time Date/time when a person was born.
330	Joined employer date Date when a person joins an employer.
331	Contributions ceasing date/time Date/time when contributions cease.
332	Contribution period end date/time Date/time when a contribution period ends.
333	Part-time working change date/time Date/time when the proportion of part-time work changes.
334	Status change date/time Date/time when a status changes.
335	Contribution period start date/time Date/time when a contribution period commences.
336	Salary change effective date Date when a change in salary becomes effective.
337	Left employer date Date when a person leaves an employer.
338	Benefit change date/time Date/time when a benefit provided by a service provider is changed.
339	Category change date/time Date/time when a change of category is made.
340	Joined fund date/time

	Date/time when a person joins a fund.
341	Waiting time The period of time between the moment at which one wants an activity to begin and the moment at which this activity can actually begin.
342	On-board date The date goods have been loaded on board of a conveyance.
343	Date/time of discount termination Date/time when the deduction from an amount comes to an end.
344	Date/time of interest due Date/time when the interest has to be paid.
345	Days of operation Week days of operation.
346	Latest check-in time Latest time of check-in.
347	Slaughtering start date Date on which slaughtering commenced.
348	Packing start date Date on which packing commenced.
349	Packing end date Date on which packing completed.
350	Test start date Date when a test has been started.
351	Inspection date Date of inspection.
352	Slaughtering end date Date on which slaughtering completed.
353	Accounting transaction date Date to which an accounting transaction refers.
354	Activity period date range A specific date range associated with an activity.
355	Contractual delivery date The date of delivery contractually agreed between parties.
356	Sales date, and or time, and or period The date, and or time, and or period on which a sale took place.
357	Cancel if not published by this date Cancel if not published by this date.
358	Scheduled for delivery on or after Scheduled for delivery on or after the specified date, and or time.
359	Scheduled for delivery on or before Scheduled for delivery on or before specified date and or time.
360	Sell by date The date by which a product should be sold.
361	Best before date The best before date.

362	End availability date The end date of availability.
363	Total shelf life period A period indicating the total shelf life of a product.
364	Minimum shelf life remaining at time of despatch period Period indicating the minimum shelf life remaining for a product at the time of leaving the supplier.
365	Packaging date The date on which the packaging of a product took place.
366	Inventory report date Date on which a inventory report is made.
367	Previous meter reading date Date on which the previous reading of a meter took place.
368	Latest meter reading date Date on which the latest reading of a meter took place.
369	Date and or time of handling, estimated The date and or time when the handling action is estimated to take place.
370	Date when container equipment becomes domestic The date on which foreign-built container equipment has entered into the commerce of another country and has become domestic equipment.
371	Hydrotest date The date equipment has been hydrotested.
372	Equipment pre-trip date The date on which equipment is pre-tripped.
373	Mooring, date and time Date and time of mooring.
374	Road fund tax expiry date The date of expiry of the road fund tax.
375	Date of first registration Date of first registration.
376	Biannual terminal inspection date The date on which a biannual inspection of a terminal has taken or will take place.
377	Federal HighWay Administration (FHWA) inspection date The date on which container equipment is to be or has been inspected in accordance with the requirements of the U.S. Federal Highway Administration.
378	Container Safety Convention (CSC) inspection date The date on which container equipment is to be or has been inspected as per the Container Safety Convention (CSC).
379	Periodic inspection date The date on which a periodic inspection has to take place.
380	Drawing revision date Date the drawing revision has been allocated to a design.
381	Product lifespan at time of production The total lifespan of a product at the time of its production.
382	Earliest sale date

	The earliest date on which the product may be made available for sale.
383	Cancel if not shipped by this date Cancel the order if goods not shipped by this date.
384	Previous invoice date Indicates the date which was allocated to a previous invoice.
387	Repair turnaround time Provides the period of time necessary to turnaround a given repair.
388	Order amendment binding date The date when an order amendment becomes binding for both parties.
389	Cure time Specifies the length of time that an article was or should be cured.
390	From date of award to delivery Lead time to determine the delivery date based on the date an award is made.
391	From date of receipt of item to approval Lead time to determine the date an item will be approved based on the date the item was received.
392	Equipment collection or pick-up date/time, earliest Date/time on which equipment can be picked up at the earliest.
393	Equipment collection or pick-up date/time, planned Date/time on which equipment can be picked up, either full or empty, according to a planning.
394	Equipment positioning date/time, actual Date/time on which equipment was actually positioned (delivered).
395	Equipment positioning date/time, estimated Date/time on which equipment is estimated to be positioned (delivered).
396	Equipment positioning date/time, requested Date/time on which equipment is requested to be positioned (delivered).
397	Equipment positioning date/time, ultimate Date/time on which equipment should be positioned (delivered) at the latest.
398	Goods collection or pick-up date/time, planned Date/time at which goods can be picked up, according to a planning.
399	Goods positioning date/time, expected Date/time on which goods are expected to be positioned.
400	Cargo release date/time, ultimate Ultimate date/time at which goods or equipment should be released.
401	Container Safety Convention (CSC) plate expiration date Date on which the validity of a Container Safety Convention (CSC) plate expires.
402	Document received date/time Date/time on which the document was actually received.
403	Discharge date/time, actual Date/time when the specified goods or transport equipment has or have been discharged from the means of transport.
404	Loading date/time, actual Date/time when the specified goods or transport equipment has or have been loaded in or on the means of transport.
405	Equipment collection or pick-up date/time, actual

	Date/time on which the equipment was actually collected.
406	Goods positioning date/time, planned The date/time on which the goods will be positioned according to a planning.
407	Document requested date/time Date/time on which the document is requested by a party.
408	Expected container hire from date/time Estimated date and time when the containers are expected to go on-hire.
409	Order completion date/time, ultimate Date/time on which the order should be completed at the latest.
410	Equipment repair ready date/time, ultimate Ultimate date/time on which a piece of equipment must be repaired.
411	Container stuffing date/time, ultimate Date/time on which the container stuffing should be completed at the latest.
412	Container stripping date/time, ultimate Date/time on which the container stripping should be completed at the latest.
413	Discharge and loading completed date/time Date/time when all discharge and loading operations on the transport means have been completed.
414	Equipment stock check date/time Date/time on which equipment has been ascertained as being in stock.
415	Activity reporting date The date applicable to the activity being reported.
416	Submission date The date of a submission.
417	Previous booking date/time Date/time at which the previous booking was made.
418	Minimum shelf life remaining at time of receipt The minimum shelf life remaining at the time of receipt.
419	Forecast period A period for which a forecast applies.
420	Unloaded, date and time To report the date and time that an unloading action occurred.
421	Estimated acceptance date To estimate the date of acceptance.
422	Documentary credit issue date The date the documentary credit has been issued.
423	First date of ordering The first date on which ordering may take place.
424	Last date of ordering The last date on which ordering may take place.
425	Original posting date Date when the entry was originally posted.
426	Reinsurance payment frequency The frequency of payments of reinsurance premiums.

427	Adjusted age The adjusted age used for purposes of calculation.
428	Original issue age The original issue age.
429	Coverage duration The period coverage has been in force.
430	Coverage issue date Date from which the anniversary coverage is measured.
431	Flat extra period Period for charging the additional extra.
432	Paid to date Date to which payments have been paid.
433	Reinsurance coverage duration The period for which reinsurance coverage has been in force.
434	Maturity date Date at which maturity occurs.
435	Reinsurance issue age The actual or equivalent age at time of issue.
436	Reinsurance paid-up date The date up to which the reinsurance has been paid.
437	Benefit period The period of time for which benefits are provided.
438	Disability wait period The period of time the insured must be disabled before reinsurance coverage becomes effective.
439	Deferred Period The period of time for which an activity has been postponed.
440	Documentary credit amendment date Date of amendment of a documentary credit.
441	Last on hire date Date the item was last placed on hire.
442	Last off hire date Date the item was last returned from hire.
443	Direct interchange date Date the item was directly interchanged.
444	Approval date Date of approval.
445	Original estimate date The date of the original estimate.
446	Revised estimate date The date the estimate was revised.
447	Creditor's requested value date Date on which the creditor requests to be credited.
448	Referenced item creation date

	Creation date of referenced item.
449	Date for the last update Date for the last update.
450	Opening date Date of opening.
451	Source document capture date Date source document data is entered into a business application.
452	Trial balance period Period covered by the trial balance.
453	Date of source document The date of the source document.
454	Accounting value date Date against which the entry has to be legally allocated.
455	Expected value date Date on which the funds are expected to be at the disposal of the beneficiary.
456	Chart of account period Period covered by the chart of account.
457	Date of separation Date of marital separation.
458	Date of divorce Date when two married persons are officially divorced.
459	Date of marriage Date when two persons are married.
460	Wage period, start date Date when a period of wage begins.
461	Wage period, end date Date when a period of wage ends.
462	Working period, start date Date when a period of work begins.
463	Working period, end date Date when a period of work ends.
464	Embarkation date and time Date and time at which crew and/or passengers board.
465	Disembarkation date and time Date and time at which crew and/or passengers disembark.
466	Time now date A time now date used for planning and scheduling purposes.
467	Holiday A date or period that is a break from work.
468	Non working To specify a non working date or period.
469	Start date or time, earliest The earliest date or time for starting.
470	Start date or time, latest

	The latest date or time for starting.
471	Finish date or time, earliest The earliest date or time for finishing.
472	Finish date or time, latest The latest date or time for finishing.
473	Start date or time, mandatory The mandatory date or time for starting.
474	Finish date or time, mandatory The mandatory date or time for finishing.
475	Start date or time, actual The actual date or time for starting.
476	Start date or time, estimated The estimated date or time for starting.
477	Completion date or time, estimated The estimated date or time for completion.
478	Start date or time, scheduled The scheduled date or time for starting.
479	Completion date or time, scheduled The scheduled date or time for completion.
480	Start date or time, not before The not before date or time for starting.
481	Start date or time, not after The not after date or time for starting.
482	Completion date or time, not before The not before date or time for completion.
483	Completion date or time, not after The not after date or time for completion.
484	Illness recovery date, expected Date when a person is expected to recover from illness.
485	Period of illness, start date Date when a period of illness began.
486	Period of illness, end date Date when a period of illness ends.
487	Decease date Date when a person died.
488	Benefit period, start date Date when a period of benefit begins.
489	Benefit period, end date Date when a period of benefit ends.
490	Selection period, start date Date when a period of selection begins.
491	Selection period, end date Date when a period of selection ends.
492	Balance date/time/period

	The date/time/period of a balance.
493	Benefit payments termination date To identify the date on which benefit payments have ceased.
494	Covered income period To identify the period over which covered income is measured.
495	Current income period To identify the period over which current income is measured.
496	Reinstatement date Identifies the date of reinstatement.
497	Definition of disability duration To identify the period for which the definition of disability applies.
498	Previous termination date Identifies the date of the previous termination.
499	Premium change period To identify the period of the premium change.
500	Off-hire survey date Date on which the equipment was surveyed at the end of the current leasing period.
501	In service survey date Date of survey of equipment while in use.
502	On hire survey date Date on which the equipment was surveyed at the beginning of the current leasing period.
503	Production inspection date Date of production inspection.
504	Overtime, start date Date when a period of overtime begins.
505	Overtime, end date Date when a period of overtime ends.
506	Back order delivery date/time/period The date/time/period during which the delivery of a back order will take, or has taken, place.
507	Negotiations start date The date on which negotiations started.
508	Work effective start date The date on which work will effectively start.
509	Contract binding date The date from which a contract becomes binding on the contracting parties.
510	Notification time limit The time limit which has been set for a notification to take place.
511	Time limit The time limit in which an event must take place.
512	Attendance date and or time and or period Date and or time and or period of attendance.
513	Accident date and or time Date and or time when an accident occurred.
514	Adoption date, actual

	Actual date when adoption occurs.
515	Reimbursement claim issue date and or time Date and or time when a reimbursement claim is issued.
516	Hospital admission date and or time Date and or time of admission to a hospital.
517	Hospital discharge date and or time Date and or time of discharge from a hospital.
518	Period of care start date and or time Date and or time when a period of care starts.
519	Period of care end date and or time Date and or time when a period of care ends.
520	Department admission date and or time Date and or time of admission to a department.
521	Department discharge date and or time Date and or time of discharge from a department.
522	Childbirth date and or time, actual Actual date and or time of childbirth.
523	Prescription issue date and or time Date and or time when a prescription was issued.
524	Prescription dispensing date and or time Date and or time when a prescription was dispensed.
525	Clinical examination date and or time Date and or time of clinical examination.
526	Death date and or time Date and or time of death.
527	Childbirth date, estimated Estimated date of childbirth.
528	Last menstrual cycle, start date Date when the last menstrual cycle started.
529	Pregnancy duration, actual Actual duration of pregnancy.
530	Fumigation date and/or time The date/or time on which fumigation is to occur or has taken place.
531	Payment period A period of time in which a payment has been or will be made.
532	Average delivery delay The average delay between deliveries.
533	Budget line application date The date on which something has been applied to a budget line.
534	Date of repair or service The date of a repair or service.
535	Date of product failure The date the product failed.
536	Review date

	Date the item was or will be reviewed.
537	International review cycle start date Date the international review cycle starts.
538	International assessment approval for publication date Date the Data Maintenance Request (DMR) was approved for publication after completing international review.
539	Status assignment date Date a status was assigned.
540	Instruction's original execution date Original execution date for the instruction.
541	First published date Date when material was first published.
542	Last published date Date when material was last published.
543	Balance sheet date, latest Date of the latest balance sheet.
544	Security share price as of given date Date of the security share price.
545	Assigned date Date when assigned.
546	Business opened date Date opened for business.
547	Initial financial accounts filed date Date when the initial financial accounts were filed.
548	Stop work as of given date Date work stopped or will stop.
549	Completion date Date of completion.
550	Lease term, start date Start date of the lease term.
551	Lease term, end date End date of the lease term.
552	Start date, actual Actual date of start.
553	Start date, estimated Date of estimated start.
554	Filed date Date when filed.
555	Return to work date Date of return to work.
556	Purchased date Date of purchase.
557	Returned date Date return takes place.

558	Changed date Date change takes place.
559	Terminated date Date termination takes place.
560	Evaluation date Date evaluation takes place.
561	Business termination date Date the business terminates.
562	Release from bankruptcy date Date when an entity is released from bankruptcy status.
563	Placement date, initial Date of initial placement.
564	Signature date Date of signature.
565	Bankruptcy filed date Date when bankruptcy was filed.
566	End date, scheduled Date when activity is scheduled to end.
567	Report period Period covered by the report.
568	Suspended date Date of suspension.
569	Renewal date Date of renewal.
570	Reported date Date when reported.
571	Checked date Date when checked.
572	Present residence, start date The beginning date of residence at present location.
573	Employment position, start date The start date of employment in a particular position.
574	Account closed date Date when account was closed.
575	Construction date, actual Date of actual construction.
576	Employment profession start date Start date of employment in a particular profession.
577	Next review date Date of next review.
578	Meeting date Date of the meeting.
579	Administrator ordered date Date when an administrator is ordered for a company.

580	Last date to file a claim Date after which no claim can be filed.
581	Convicted date Date when convicted.
582	Interviewed date Date of an interview.
583	Last visit date Date of last visit.
584	Future period Period in the future.
585	Preceding period Period preceding current period.
586	Expected problem resolution date Date when problem is expected to be resolved.
587	Action date Date of action.
588	Accountant's opinion date Date of an accountant's opinion.
589	Last activity date Date of last activity.
590	Resolved date Date when resolved.
591	Recorded date Date when recorded.
592	Date of birth, estimated The estimated date of birth.
593	Last annual report date Date of the last annual report.
594	Net worth date Date of net worth.
596	Profit period Period over which profit was earned.
597	Registration date Date when registered.
598	Consolidation date Date when consolidation occurred.
599	Board of directors not authorised as of given date As of this date the board of directors is not authorised.
600	Board of directors not complete as of given date As of this date the board of directors is not fully filled.
601	Manager not registered as of given date As of this date the manager is not registered.
602	Citizenship change date Date of citizenship change.

603	Participation date Date of participation.
604	Capitalisation date Date of capitalisation.
605	Board of directors registration date Date when the board of directors was registered.
606	Operations ceased date Date when operations ceased.
607	Satisfaction date Date when satisfaction was obtained.
608	Legal settlement terms met date Date when terms specified in the legal settlement were met.
609	Business control change date Date when a new authority took control.
610	Court registration date Date of registration in the court.
611	Annual report due date Date when annual report is due.
612	Asset and liability schedule date Date of the asset and liability schedule.
613	Annual report mailing date Date when the annual report was mailed.
614	Annual report filing date Date when the annual report was filed.
615	Annual report delinquent on date Date when annual report was considered delinquent.
616	Accounting methodology change date Date when accounting methodology was changed.
617	Closed until date Date when again open.
618	Conversion into holding company date Date business was converted into a holding company.
619	Deed not available as of given date Date when deed was not available.
620	Detrimental information receipt date Date when detrimental information was received.
621	Construction date, estimated Estimated date of construction.
622	Financial information date Date of the financial information.
623	Graduation date Date when graduation occurs.
624	Insolvency discharge granted date Date when insolvency discharge was granted.

625	Incorporation date Date of incorporation.
626	Inactivity end date Date when inactivity ends.
627	Last check for balance sheet update date Date balance sheet was last checked to determine if update had taken place.
628	Last capital change date Date of last capital change.
629	Letter of agreement date Date of a letter of agreement.
630	Letter of liability date Date of a letter of liability.
631	Liquidation date Date of liquidation.
632	Lowest activity period Period of lowest activity.
633	Legal structure change date Date when legal structure was changed.
634	Current name effective date Date when current name became effective.
635	Not registered as of given date Date when not yet registered.
636	Current authority control start date Date when current authority took control.
637	Privilege details verification date Date when privilege details were verified.
638	Current legal structure effective date Date when current legal structure became effective.
639	Peak activity period Period of peak activity.
640	Presentation to bankruptcy receivers date Date when presented to the bankruptcy receivers.
641	Resignation date Date of resignation.
642	Legal action closed date Date when the legal action was closed.
643	Mail receipt date Date mail was received.
644	Social security claims verification date Date when social security claims were verified.
645	Sole directorship registration date Date when sole directorship was registered.
646	Trade style registration date Date when trade style was registered.

647	Trial start date, scheduled Date when a trial is scheduled to begin.
648	Trial start date, actual Date when the trial actually started.
649	Value Added Tax (VAT) claims verification date Date when the Value Added Tax (VAT) claims were verified.
650	Receivership result date Date when the result of the receivership occurs.
651	Investigation end date The date when an investigation ended.
652	Employee temporary laid-off period end date The ending date of a period in which employees were temporarily placed out of work.
653	Investigation start date The date when an investigation began.
654	Income period The period of time in which income is earned.
655	Criminal sentence duration The period of time over which a criminal sentence applies.
656	Age The length of time that a person or thing has existed.
657	Receivables collection period The period of time over which receivable accounts are collected.
658	Comparison period The time period covered in a comparison.
659	Adjournment The period of time over which an adjournment is in effect.
660	Court dismissal date The date on which a court refused further hearing of a case.
661	Insufficient assets judgement date The date on which assets were judged to be insufficient.
662	Average payment period The average period of time over which money has been paid.
663	Forecast period start The beginning of a forecast period.
664	Period extended Number of time units added to the original end date/time/period.
665	Employee temporary laid-off period start date The start date of a period in which employees were temporarily placed out of work.
666	Management available date Date when management is available.
667	Withdrawn date The date when something was retracted.
668	Claim incurred date The date that the claim was incurred.

669	Financial coverage period The period of time for which financial coverage applies.
670	Claim made date The date on which a claim was made.
671	Stop distribution date The date on which distribution is to stop.
672	Period assigned The period assigned.
673	Lease period The period associated with a lease.
674	Forecast period end date The ending date of a forecast period.
675	Judgement date The date on which a decision from a court of law was rendered.
676	Period worked for the company Period of time that was worked for the company.
677	Transport equipment stuffing date and/or time The date and/or time on which the stuffing of transport equipment is to or has taken place.
678	Transport equipment stripping date and/or time The date and/or time on which the stripping of a transport equipment is to or has taken place.
679	Initial request date Date of an initial request.
680	Period overdue The period by which an event is overdue.
681	Implementation date/time/period A date/time/period within which an implementation is to take place.
682	Refusal period The period within which a refusal can be made.
683	Suspension period The period for which something is suspended.
684	Deletion date The date on which deletion occurs.
685	First sale date and/or time and/or period The first date, and/or time, and/or period a product was sold.
686	Last sale date and/or time and/or period The last date, and/or time, and/or period a product was sold.
687	Date ready for collection A date on which an object is ready for collection.
688	Shipping date, no schedule established as of As at this date no valid shipping schedule has been established.
689	Shipping date and/or time, current schedule Shipping date and/or time as currently scheduled.
690	Suppliers' average credit period The average period of time that credit is extended by suppliers.

691	Advising date Date of advice.
692	Project over target baseline date The date an over target baseline was implemented for a project.
693	Established date Date when an entity was established or created.
694	Latest filing period Latest period for which a filing may be made.
695	Mailing date Date when an item may be mailed.
696	Date/time of latest accounts filing at public registry The latest date/time when financial accounts were filed at public registry.
697	Date placed in disfavour Date when placed in a disfavoured category or status.
698	Employment position start date, estimated Estimated start date of employment in a particular position.
699	Registered contractor number assignment date, original Date when a registered contractor number was originally assigned.
700	Ownership change date Date when ownership changes.
701	Original duration Original length of time.
702	Period between changes The period of time between changes.
703	From date of notice to proceed to commencement of performance Period of time from notice to proceed until performance commencement.
704	From date of notice to proceed to completion Period of time from date of notice to proceed until completion.
705	Period an event is late due to customer The period of time an event is late due to the actions of a customer.
706	File generation date and/or time Date and, or time of file generation.
707	Endorsed certificate issue date Date on which a certificate, endorsed by signature or other agreed means, is issued.
708	Patient first visit for condition The date of the first visit by a patient to a healthcare provider for this condition.
709	Admission date and/or time, expected Expected date and/or time of admission.
710	Symptoms onset, patient alleged Date and/or time of onset of symptoms according to the patient.
711	Accident benefit period To identify the period of time for which benefits are provided in the event of an accident.
712	Accident benefit age limit To identify the age to which benefits are provided to the insured in the event of an accident.

713	Accident lifetime benefit qualification age To identify the qualification age for lifetime benefits provided to the insured in the event of an accident.
714	Sickness benefit period To identify the period of time for which benefits are provided in the event of sickness.
715	Sickness benefit age limit To identify the age to which benefits are provided to the insured in the event of sickness.
716	Sickness lifetime benefit qualification age To identify the qualification age for lifetime benefits provided to the insured in the event of sickness.
717	Accident insurance elimination period To identify the period of time the insured must be disabled in the event of an accident for benefits to be payable by the ceding company.
718	Sickness insurance elimination period The period of time the insured must be disabled in the event of sickness for benefits to be payable by the ceding company.
719	Provider signature date Date when the provider signed.
720	Condition initial treatment date Date when initially treated for this condition.
721	Information release authorization date Date when the information was authorized to be released.
722	Benefit release authorization date Date when a benefit is authorized for release.
723	Last seen date The date when last seen.
724	Acute manifestation date The date the symptoms manifested themselves in an acute form.
725	Similar illness onset date The date of the onset of an illness similar to the illness currently being treated.
726	Last X-ray date The date the last X-ray was taken.
727	Placement date, previous The date something was previously placed.
728	Placement date The date something is placed.
729	Temporary prosthesis date The date a temporary prosthetic device was provided.
730	Orthodontic treatment period, remaining The period of time that the orthodontic treatment has remaining.
731	Orthodontic treatment period, total The period of orthodontic treatment from beginning to end.
732	Maximum credit granted date Date on which the highest credit was granted.
733	Last date of accounts filed at public register

	Date on which accounts were last filed at the public register.
734	Allowed renewal duration period The period of time a company can renew its duration period.
735	Offset from Coordinated Universal Time (UTC) Number of hour's offset from Coordinated Universal Time (UTC).
736	Appointment expiry date Date when an appointment will expire.
737	Earliest filing period Earliest period for which a filing is made.
738	Original name change date Date when the original name was changed.
739	Education start date Date education begins at an educational institution.
740	Education end date Date education is completed at an educational institution.
741	Receivership period Period of time a receivership lasts.
742	Financial information submission date/time Date/time when financial information is submitted.
743	Purchase order latest possible change date Date identifying a point of time after which a purchase order cannot be changed.
744	Investment number allocation date The date that an investment number was allocated.
ZZZ	Mutually defined Self explanatory.
2379	Date/time/period format code

Code	Name/Description
102	CCYYMMDD Calendar date: C = Century ; Y = Year ; M = Month ; D = Day.

3035 Party function code qualifier

Code	Name/Description
BY	Buyer (3002) Party to which merchandise is sold.
CA	Carrier (3126) Party undertaking or arranging transport of goods between named points.
CN	Consignee (3132) Party to which goods are consigned.
DP	Delivery party (3144) Party to which goods should be delivered, if not identical with consignee.
P1	Contact party 1

First party to contact.

SU Supplier
 (3280) Party which manufactures or otherwise has possession of goods, and consigns or makes them available in trade.

3055 Code list responsible agency code

Code	Name/Description
1	CCC (Customs Co-operation Council) Self explanatory.
2	CEC (Commission of the European Communities) Generic: see also 140, 141, 142, 162.
3	IATA (International Air Transport Association) The airline industry's international organisation.
4	ICC (International Chamber of Commerce) Self explanatory.
5	ISO (International Organization for Standardization) Self explanatory.
6	UN/ECE (United Nations - Economic Commission for Europe) Self explanatory.
7	CEFIC (Conseil Europeen des Federations de l'Industrie Chimique) EDI project for chemical industry.
8	EDIFICE Standardised electronic commerce forum for companies with interests in computing, electronics and telecommunications.
9	EAN (International Article Numbering association) Self explanatory.
10	ODETTE Organization for Data Exchange through Tele-Transmission in Europe (European automotive industry project).
11	Lloyd's register of shipping A register of ocean going vessels maintained by Lloyd's of London.
12	UIC (International union of railways) International Union of Railways.
13	ICAO (International Civil Aviation Organisation) Self explanatory.
14	ICS (International Chamber of Shipping) Self explanatory.
15	RINET (Reinsurance and Insurance Network) Self explanatory.
16	US, D&B (Dun & Bradstreet Corporation) Identifies the Dun & Bradstreet Corporation, United States.
17	S.W.I.F.T. Society for Worldwide Interbank Financial Telecommunications s.c.
18	Conventions on SAD and transit (EC and EFTA)

SAD = Single Administrative Document.

19	FRRC (Federal Reserve Routing Code) Self explanatory.
20	BIC (Bureau International des Containeurs) The container industry's international organisation responsible for the issuance of container-related codes.
21	Assigned by transport company Codes assigned by a transport company.
22	US, ISA (Information Systems Agreement) Codes assigned by the ISA for use by its members.
23	FR, EDITRANSPORT French association developing EDI in transport logistics.
24	AU, ROA (Railways of Australia) Maintains code lists which are accepted by Australian government railways.
25	EDITEX (Europe) EDI group for the textile and clothing industry.
26	NL, Foundation Uniform Transport Code Foundation Uniform Transport Code is the EDI organisation for shippers, carriers and other logistic service providers in the Netherlands.
27	US, FDA (Food and Drug Administration) U.S. food and drug administration.
28	EDITEUR (European book sector electronic data interchange group) Code identifying the pan European user group for the book industry as an organisation responsible for code values in the book industry.
29	GB, FLEETNET Association of fleet vehicle hiring and leasing companies in the UK.
30	GB, ABTA (Association of British Travel Agencies) ABTA, Association of British Travel Agencies.
31	FI, Finish State Railway Finish State Railway.
32	PL, Polish State Railway Polish State Railway.
33	BG, Bulgaria State Railway Bulgaria State Railway.
34	RO, Rumanian State Railway Rumanian State Railway.
35	CZ, Tchechian State Railway Tchechian State Railway.
36	HU, Hungarian State Railway Hungarian State Railway.
37	GB, British Railways British Railways.
38	ES, Spanish National Railway Spanish National Railway.
39	SE, Swedish State Railway

	Swedish State Railway.
40	NO, Norwegian State Railway Norwegian State Railway.
41	DE, German Railway German Railway.
42	AT, Austrian Federal Railways Austrian Federal Railways.
43	LU, Luxembourg National Railway Company Luxembourg National Railway Company.
44	IT, Italian State Railways Italian State Railways.
45	NL, Netherlands Railways Netherlands Railways.
46	CH, Swiss Federal Railways Swiss Federal Railways.
47	DK, Danish State Railways Danish State Railways.
48	FR, French National Railway Company French National Railway Company.
49	BE, Belgian National Railway Company Belgian National Railway Company.
50	PT, Portuguese Railways Portuguese Railways.
51	SK, Slovakian State Railways Slovakian State Railways.
52	IE, Irish Transport Company Irish Transport Company.
53	FIATA (International Federation of Freight Forwarders Associations) International Federation of Freight Forwarders Associations.
54	IMO (International Maritime Organisation) International Maritime Organisation.
55	US, DOT (United States Department of Transportation) United States Department of Transportation.
56	TW, Trade-van Trade-van is an EDI/VAN service centre for customs, transport, and insurance in national and international trade.
57	TW, Chinese Taipei Customs Customs authorities of Chinese Taipei responsible for collecting import duties and preventing smuggling.
58	EUROFER European steel organisation - EDI project for the European steel industry.
59	DE, EDIBAU National body responsible for the German codification in the construction area.
60	Assigned by national trade agency The code list is from a national agency.

61	Association Europeenne des Constructeurs de Materiel Aerospatial (AECMA) A code to identify the Association Europeenne des Constructeurs de Materiel Aerospatial (European Association of Aerospace Products Manufacturers) as an authorizing agency for code lists.
62	US, DIsTilled Spirits Council of the United States (DISCUS) United States DIsTilled Spirits Council of the United States (DISCUS).
63	North Atlantic Treaty Organization (NATO) A code to identify the North Atlantic Treaty Organization (NATO) as an authorizing agency for code lists.
64	FR, EDIFRANCE French association responsible for coordination and promotion of EDI application in France.
65	FR, GENCOD French organization responsible for EDI and Barcoding application in the retail sector.
66	MY, Malaysian Customs and Excise Malaysia Royal Customs and Excise.
67	MY, Malaysia Central Bank Malaysia Central Bank is a regulatory body set up by the government to charge with promoting economic monetary and credit condition favourable to commercial and industrial activity.
68	US, Bureau of Alcohol, Tobacco and Firearms (BATF) United States Bureau of Alcohol, Tobacco and Firearms (BATF).
69	US, National Alcohol Beverage Control Association (NABCA) United States National Alcohol Beverage Control Association (NABCA).
70	MY, Dagang.Net Malaysia, Dagang.Net is a national clearing house which provide EDI/VAN service for customs, transport, retail and financial and other industries in the national and international trade.
71	US, FCC (Federal Communications Commission) A code representing the United States Federal Communication Commission (FCC).
72	US, MARAD (Maritime Administration) A code representing the United States Maritime Administration (MARAD) under the Department of Transportation (DOT).
73	US, DSAA (Defense Security Assistance Agency) A code representing the United States Defense Security Assistance Agency (DSAA) under the Department of Defense (DOD).
74	US, NRC (Nuclear Regulatory Commission) A code representing the United States Nuclear Regulatory Commission (NRC).
75	US, ODTC (Office of Defense Trade Controls) A code representing the United States Office of Defense Trade Controls (ODTC) under the Department of State.
76	US, ATF (Bureau of Alcohol, Tobacco and Firearms) A code representing the United States Bureau of Alcohol, Tobacco and Firearms, Department of Treasury (ATF).
77	US, BXA (Bureau of Export Administration) A code representing the United States Bureau of Export Administration (BXA) under the Department of Commerce (DOC) .
78	US, FWS (Fish and Wildlife Service) A code depicting the United States Fish and Wildlife Service (FWS).

79	US, OFAC (Office of Foreign Assets Control) A code representing the United States Office of Foreign Assets Controls (OFAC).
80	BRMA/RAA - LIMNET - RINET Joint Venture Joint venture between BRMA (Brokers & Reinsurance Markets Association) / RAA (Reinsurance Association of America) - LIMNET (London Insurance Market Network) - RINET (Reinsurance and Insurance Network).
81	RU, (SFT) Society for Financial Telecommunications Russian company representing the users of the Global Financial Telecommunication Network (GFTN).
82	NO, Enhetsregisteret ved Bronnoysundregisterne The co-ordinating register for companies and business units of companies at the Bronnoysund register centre.
83	US, National Retail Federation The National Retail Federation is the trade association for the general merchandise retailing industry. In addition to providing support and education services, they also maintain and publish standard colour and size codes for the retail industry.
84	DE, BRD (Gesetzgeber der Bundesrepublik Deutschland) German legislature.
85	North America, Telecommunications Industry Forum Trade association representing telecommunications service providers, equipment manufacturers, suppliers to the industry and customers.
86	Assigned by party originating the message Codes assigned by the party originating the message.
87	Assigned by carrier Codes assigned by the carrier.
88	Assigned by owner of operation Assigned by owner of operation (e.g. used in construction).
89	Assigned by distributor Self explanatory.
90	Assigned by manufacturer Self explanatory.
91	Assigned by seller or seller's agent Self explanatory.
92	Assigned by buyer or buyer's agent Self explanatory.
93	AT, Austrian Customs Self explanatory.
94	AT, Austrian PTT Self explanatory.
95	AU, Australian Customs Service Australian Customs Service.
96	CA, Revenue Canada, Customs and Excise Self explanatory.
97	CH, Administration federale des contributions Indirect taxation (e.g. turn-over/sales taxes).
98	CH, Direction generale des douanes

	Customs (incl. ISO alpha 2 country code).
99	CH, Division des importations et exportations, OFAEE Import and export licences.
100	CH, Entreprise des PTT Telephone (voice/data) + telex numbers, postcodes, postal account numbers.
101	CH, Carburants Centrale suisse pour l'importation de carburants et combustibles liquides (Oil products).
102	CH, Centrale suisse pour l'importation du charbon Coal.
103	CH, Office fiduciaire des importateurs de denrees alimentaires Foodstuff.
104	CH, Association suisse code des articles Swiss article numbering association.
105	DK, Ministry of taxation, Central Customs and Tax Administration Danish Customs administration.
106	FR, Direction generale des douanes et droits indirects French Customs.
107	FR, INSEE Institut National de la Statistique et des Etudes Economiques.
108	FR, Banque de France Self explanatory.
109	GB, H.M. Customs & Excise Self explanatory.
110	IE, Revenue Commissioners, Customs AEP project Self explanatory.
111	US, U.S. Customs Service Self explanatory.
112	US, U.S. Census Bureau The Bureau of the Census of the U.S. Dept. of Commerce.
113	US, UCC (Uniform Code Council) The Uniform Code Council (UCC) is a not-for-profit organization which manages and administers EDI and product bar code standards for the U.S. retail industry. The UCC also maintains U.P.C. manufacturer identifiers, EDI communications identifiers and various EDI code lists specific to retailing. The UCC is located in Dayton, OH, USA.
114	US, ABA (American Bankers Association) Self explanatory.
115	US, DODAAC (Department Of Defense Active Agency Code) Self explanatory.
116	US, ANSI ASC X12 American National Standards Institute ASC X12.
117	AT, Geldausgabeautomaten-Service Gesellschaft m.b.H. Description to be provided.
118	SE, Svenska Bankfoereningen Swedish bankers association.
119	IT, Associazione Bancaria Italiana

	Self explanatory.
120	IT, Societa' Interbancaria per l'Automazione Self explanatory.
121	CH, Telekurs AG Self explanatory.
122	CH, Swiss Securities Clearing Corporation Self explanatory.
123	NO, Norwegian Interbank Research Organization Self explanatory.
124	NO, Norwegian Bankers' Association Self explanatory.
125	FI, The Finnish Bankers' Association Self explanatory.
126	US, NCCMA (Account Analysis Codes) Self explanatory.
127	DE, ARE (AbRechnungs Einheit) A German code for subsidiary unit number.
128	BE, Belgian Bankers' Association Self explanatory.
129	BE, Belgian Ministry of Finance VAT numbers.
130	DK, PBS (Pengainstitutternes Betalings Service) Self explanatory.
131	DE, German Bankers Association Self explanatory.
132	GB, BACS Limited Self explanatory.
133	GB, Association for Payment Clearing Services Self explanatory.
134	GB, CHAPS and Town Clearing Company Limited Self explanatory.
135	GB, The Clearing House Self explanatory.
136	GB, Article Number Association (UK) Limited EAN bar-coding.
137	AT, Verband oesterreichischer Banken und Bankiers Austrian bankers association.
138	FR, CFONB (Comite francais d'organ. et de normalisation bancaires) National body responsible for the French codification in banking activity.
139	UPU (Universal Postal Union) (a..3 country code).
140	CEC (Commission of the European Communities), DG/XXI- 01 (Computerization within Customs area).
141	CEC (Commission of the European Communities), DG/XXI- B-1

	Description to be provided.
142	CEC (Commission of the European Communities), DG/XXXIV Statistical Office of the European Communities: e.g. Geonomenclature.
143	NZ, New Zealand Customs Self explanatory.
144	NL, Netherlands Customs Self explanatory.
145	SE, Swedish Customs Self explanatory.
146	DE, German Customs Self explanatory.
147	BE, Belgian Customs Self explanatory.
148	ES, Spanish Customs Self explanatory.
149	IL, Israel Customs Self explanatory.
150	HK, Hong Kong Customs Self explanatory.
151	JP, Japan Customs Self explanatory.
152	SA, Saudi Arabia Customs Self explanatory.
153	IT, Italian Customs Self explanatory.
154	GR, Greek Customs Self explanatory.
155	PT, Portuguese Customs Self explanatory.
156	LU, Luxembourg Customs Self explanatory.
157	NO, Norwegian Customs Self explanatory.
158	FI, Finnish Customs Self explanatory.
159	IS, Iceland Customs Self explanatory.
160	LI, Liechtenstein authority (Identification of relevant responsible agency for e.g. banking/financial matters still pending. For e.g. Customs, currency, post/telephone: see relevant CH entry).
161	UNCTAD (United Nations - Conference on Trade And Development) Self explanatory.
162	CEC (Commission of the European Communities), DG/XIII- D-5 (TEDIS - incl. CEBIS -, INSIS and CADDIA projects).

163	US, FMC (Federal Maritime Commission) Self explanatory.
164	US, DEA (Drug Enforcement Agency) Self explanatory.
165	US, DCI (Distribution Codes, INC.) Self explanatory.
166	US, National Motor Freight Classification Association The organisation in the USA which is responsible for code maintenance in the trucking industry.
167	US, AIAG (Automotive Industry Action Group) Self explanatory.
168	US, FIPS (Federal Information Publishing Standard) Self explanatory.
169	CA, SCC (Standards Council of Canada) Self explanatory.
170	CA, CPA (Canadian Payment Association) Self explanatory.
171	NL, Bank Girocentrale BV Self explanatory.
172	NL, BEANET BV Self explanatory.
173	NO, NORPRO Self explanatory.
174	DE, DIN (Deutsches Institut fuer Normung) German standardization institute.
175	FCI (Factors Chain International) Self explanatory.
176	BR, Banco Central do Brazil Self-explanatory.
177	AU, LIFA (Life Insurance Federation of Australia) Life Insurance Federation of Australia.
178	AU, SAA (Standards Association of Australia) Standards Association of Australia.
179	US, Air transport association of America U.S. -based trade association representing the major North American scheduled airlines.
180	DE, BIA (Berufsgenossenschaftliches Institut fuer Arbeitssicherheit) German institute of the workmen's compensation board.
181	Edibuild EDI organization for companies in the construction industry.
182	US, Standard Carrier Alpha Code (Motor) Organisation maintaining the SCAC lists and transportation operating in North America.
183	US, American Petroleum Institute US-based trade association representing oil and natural gas producers, shippers, refineries, marketers, and major suppliers to the industry.

184	AU, ACOS (Australian Chamber of Shipping) The national organisation for the maritime industry in Australia.
185	DE, BDI (Bundesverband der Deutschen Industrie e.V.) German industry association.
186	US, GSA (General Services Administration) The US General Services Administration.
187	US, DLMSO (Defense Logistics Management Standards Office) The Defense Logistics Management Standards Office.
188	US, NIST (National Institute of Standards and Technology) The US National Institute of Standards and Technology.
189	US, DoD (Department of Defense) The US Department of Defense.
190	US, VA (Department of Veterans Affairs) The Department of Veterans Affairs.
191	IAPSO (United Nations Inter-Agency Procurement Services Office) United Nations organization responsible for maintaining the United Nations Common Coding System (UNCCS) which is used extensively by UN agencies in procurement and statistical analysis.
192	Shipper's association Code assigned by a shipper's association.
193	EU, European Telecommunications Informatics Services (ETIS) European Telecommunications Informatics Services is a non-profit cooperative organisation owned by European public network operators, working in the field of information technology.
194	AU, AQIS (Australian Quarantine and Inspection Service) Australian Quarantine and Inspection Service.
195	CO, DIAN (Direccion de Impuestos y Aduanas Nacionales) The Colombian customs organization.
196	US, COPAS (Council of Petroleum Accounting Society) Organization supplying codes of oil field equipment and tubular goods used by joint operators in the petroleum industry.
197	US, DISA (Data Interchange Standards Association) The organization maintaining code lists under the administration of the data interchange standards association.
198	CO, Superintendencia Bancaria De Colombia The organization which assigns identification numbers to financial institutions conducting business in Colombia.
199	FR, Direction de la Comptabilite Publique The French public accounting office.
200	NL, EAN Netherlands Netherlands based European Article Numbering association (EAN).
201	US, WSSA(Wine and Spirits Shippers Association) United States based Wine and Spirits Shippers association.
202	PT, Banco de Portugal Portuguese Central Bank.
203	FR, GALIA (Groupement pour l'Amelioration des Liaisons dans l'Industrie Automobile) The national organisation representing France in ODETTE (Organisation for Data Exchanges)

through Tele-Transmission in Europe).

204	DE, VDA (Verband der Automobilindustrie E.V.) The national organisation representing Germany in ODETTE (Organisation for Data Exchange through Tele-Transmission in Europe).
205	IT, ODETTE Italy The national organisation representing Italy in ODETTE (Organisation for Data Exchange through Tele-Transmission in Europe).
206	NL, ODETTE Netherlands The national organisation representing Netherlands in ODETTE (Organisation for Data Exchange through Tele-Transmission in Europe).
207	ES, ODETTE Spain The national organisation representing Spain in ODETTE (Organisation for Data Exchange through Tele-Transmission in Europe).
208	SE, ODETTE Sweden The national organisation representing Scandinavian countries in ODETTE (Organisation for Data Exchange through Tele-Transmission in Europe).
209	GB, ODETTE United Kingdom The national organisation representing UK in ODETTE (Organisation for Data Exchange through Tele-Transmission in Europe).
210	EU, EDI for financial, informational, cost, accounting, auditing and social areas (EDIFICAS) - Europe European association dealing with accounting and auditing.
211	FR, EDI for financial, informational, cost, accounting, auditing and social areas (EDIFICAS) - France French association dealing with accounting and auditing.
212	DE, Deutsch Telekom AG German telecommunication services agency.
213	JP, NACCS Center (Nippon Automated Cargo Clearance System Operations Organization) NACCS (Nippon Automated Cargo Clearance System Operation Organization) Center is the operations organization of the automated cargo clearance system in Japan.
214	US, AISI (American Iron and Steel Institute) American iron and steel institute.
215	AU, APCA (Australian Payments Clearing Association) Australian association responsible for the management of payment clearing.
216	US, Department of Labor To identify the United States department of labour.
217	US, N.A.I.C. (National Association of Insurance Commissioners) To identify the United States, National Association of Insurance Commissioners.
218	GB, The Association of British Insurers An association that administers code lists on behalf of the UK insurance community.
219	FR, d'ArvA Value added network administering insurance code lists on behalf of the French insurance community.
220	FI, Finnish tax board Finnish tax board.
221	FR, CNAMTS (Caisse Nationale de l'Assurance Maladie des Travailleurs Salaries) The French public institution funding health-care for salaried workers.

222	DK, Danish National Board of Health The national authority responsible for the supervision of health activities in Denmark.
223	DK, Danish Ministry of Home Affairs The ministry responsible for all interior affairs concerning the Danish people.
224	US, Aluminum Association Organization that assigns identification numbers for the aluminum industry.
225	US, CIDX (Chemical Industry Data Exchange) Organization that assigns identification numbers for the chemical industry.
226	US, Carbide Manufacturers Organization that assigns identification numbers for the iron and carbide manufacturing industry.
227	US, NWDA (National Wholesale Druggist Association) Organization that assigns identification numbers for the wholesale drug industry.
228	US, EIA (Electronic Industry Association) Organization that assigns identification numbers for the electronic industry.
229	US, American Paper Institute Organization that assigns identification numbers for the American paper industry.
230	US, VICS (Voluntary Inter-Industry Commerce Standards) Organization that assigns identification numbers for the retail industry.
231	Copper and Brass Fabricators Council Organization that assigns identification numbers for the copper and brass fabricators industry.
233	US, OMB (Office of Management and Budget) Codes are assigned by the United States Office of Management and Budget.
234	DE, Siemens AG Siemens AG, Germany.
235	AU, Tradegate (Electronic Commerce Australia) Australian industry body coordinating codes for use in local and international commerce and trade.
236	US, United States Postal Service (USPS) Code specifying the official postal service of the United States.
237	US, United States health industry Code assigned by the United States health industry.
238	US, TDCC (Transportation Data Coordinating Committee) United States Transportation Data Coordinating Committee.
239	US, HL7 (Health Level 7) United States, electronic data interchange standards-making organization, Health Level 7.
240	US, CHIPS (Clearing House Interbank Payment Systems) United States financial clearing house.
241	PT, SIBS (Sociedade Interbancaria de Servicos) Portuguese automated clearing house.
242	NL, Interpay Giraal Interpay Giraal.
243	NL, Interpay Cards Interpay Cards.

244	US, Department of Health and Human Services United States Department of Health and Human Services.
245	DK, EAN (European Article Numbering) Denmark Denmark based European Article Numbering (EAN) association.
246	DE, Centrale fuer Coorganisation GMBH German representation of European Article Numbering (EAN) International.
247	US, HBICC (Health Industry Business Communication Council) Code identifying the United States HIBCC (Health Industry Business Communication Council).
248	US, ASTM (American Society of Testing and Materials) A not-for-profit organization that provides a forum for producers, users, ultimate consumers, and those having a general interest (representatives of government and academia) to meet on common ground and write standards for materials, products, systems, and services.
249	IP (Institute of Petroleum) An independent European centre for the advancement and dissemination of technical, economic and professional knowledge relating to the international oil and gas industry.
250	US, UOP (Universal Oil Products) An United States based organization that provides products, services and technology primarily in the areas of petroleum refining, olefins, aromatics, and gas processing.
251	AU, HIC (Health Insurance Commission) Australian agency responsible for administering the Health Insurance Act.
252	AU, AIHW (Australian Institute of Health and Welfare) Australian statutory authority responsible for the national collection of health related statistics and health related data definitions.
253	AU, NCCH (National Centre for Classification in Health) Australian national authority responsible for healthcare classifications.
254	AU, DOH (Australian Department of Health) Australian government department responsible for administration of health policy.
255	AU, ADA (Australian Dental Association) Industry association responsible for the classification of dental services in Australia.
256	US, AAR (Association of American Railroads) The official United States organization of the railroads in North America.
257	US, UN/SPSC (United Nations Standard Products and Services Classification) association The agency responsible for the maintenance of the United Nations standard products and services classification code.
258	JP, Japanese Ministry of Transport Japanese Ministry of Transport.
259	JP, Japanese Maritime Safety Agency Japanese Maritime Safety Agency.
260	Ediel Nordic forum A code to identify Ediel Nordic forum, which is an organization standardizing the use of EDI between the participants in the Nordic power market.
261	EEG7, European Expert Group 7 (Insurance) European Expert Group 7 for Insurance.
262	DE, GDV (Gesamtverband der Deutschen Versicherungswirtschaft e.V.) Gesamtverband der Deutschen Versicherungswirtschaft e.V. (German Insurance Association).
263	CA, CSIO (Centre for Study of Insurance Operations)

The Centre for Study of Insurance Operations (CSIO) in Canada.

264 FR, AGF (Assurances Generales de France)
Code lists are administered by Assurances Generales de France (AGF).

265 SE, Central bank
Swedish central bank.

266 US, DoA (Department of Agriculture)
Department of Agriculture, United States federal agency.

ZZZ Mutually defined
Self explanatory.

3139 Contact function code

Code	Name/Description
CN	Consignee (3132) Party to which goods are consigned.
GR	Goods receiving contact Department/person responsible for receiving the goods at the place of delivery.
NT	Notification contact Self explanatory.
PD	Purchasing contact Department/person responsible for issuing this purchase order.
SR	Sales representative or department The sales representative or department contact within an organization.
SU	Supplier contact Department/person to be contacted at the supplier.

3155 Communication number code qualifier

Code	Name/Description
EM	Electronic mail Exchange of mail by electronic means.
FX	Telefax Device used for transmitting and reproducing fixed graphic material (as printing) by means of signals over telephone lines or other electronic transmission media.
TE	Telephone Voice/data transmission by telephone.

3207 Country name code

Code	Name/Description
AD	ANDORRA
AE	UNITED ARAB EMIRATES
AF	AFGHANISTAN

AG	ANTIGUA AND BARBUDA
AI	ANGUILLA
AL	ALBANIA
AM	ARMENIA
AN	NETHERLANDS ANTILES
AO	ANGOLA
AQ	ANTARCTICA
AR	ARGENTINA
AS	AMERICAN SAMOA
AT	AUSTRIA
AU	AUSTRALIA
AW	ARUBA
AZ	AZERBAIJAN
BA	BOSNIA AND HERZEGOVINA
BB	BARBADOS
BD	BANGLADESH
BE	BELGIUM
BF	BURKINA FASO
BG	BULGARIA
BH	BAHRAIN
BI	BURUNDI
BJ	BENIN
BM	BERMUDA
BN	BRUNEI DARUSSALAM
BO	BOLIVIA
BR	BRAZIL
BS	BAHAMAS
BT	BHUTAN
BV	BOUVET ISLAND
BW	BOTSWANA
BY	BELARUS
BZ	BELIZE
CA	CANADA
CC	COCOS (KEELING) ISLANDS

CF	CENTRAL AFRICAN REPUBLIC
CG	CONGO
CH	SWITZERLAND
CI	COTE D'IVOIRE
CK	COOK ISLANDS
CL	CHILE
CM	CAMEROON
CN	CHINA
CO	COLOMBIA
CR	COSTA RICA
CU	CUBA
CV	CAPE VERDE
CX	CHRISTMAS ISLAND
CY	CYPRUS
CZ	CZECH REPUBLIC
DE	GERMANY
DJ	DJIBOUTI
DK	DENMARK
DM	DOMINICA
DO	DOMINICAN REPUBLIC
DZ	ALGERIA
EC	ECUADOR
EE	ESTONIA
EG	EGYPT
EH	WESTERN SAHARA
ER	ERITREA
ES	SPAIN
ET	ETHIOPIA
FI	FINLAND
FJ	FIJI
FK	FALKLAND ISLANDS (MALVINAS)
FM	MICRONESIA (FEDERATED STATES OF)
FO	FAROE ISLANDS
FR	FRANCE

FX	FRANCE, METROPOLITAN
GA	GABON
GB	UNITED KINGDOM
GD	GRENADA
GE	GEORGIA
GF	FRENCH GUIANA
GH	GHANA
GI	GIBRALTAR
GL	GREENLAND
GM	GAMBIA
GN	GUINEA
GP	GUADELOUPE
GQ	EQUATORIAL GUINEA
GR	GREECE
GS	SOUTH GEORGIA AND THE SOUTH SANDWICH ISLANDS
GT	GUATEMALA
GU	GUAM
GW	GUINEA-BISSAU
GY	GUYANA
HK	HONG KONG
HM	HEARD AND MC DONALD ISLANDS
HN	HONDURAS
HR	CROATIA
HT	HAITI
HU	HUNGARY
ID	INDONESIA
IE	IRELAND
IL	ISRAEL
IN	INDIA
IO	BRITISH INDIAN OCEAN TERRITORY
IQ	IRAQ
IR	IRAN (ISLAMIC REPUBLIC OF)
IS	ICELAND
IT	ITALY

JM	JAMAICA
JO	JORDAN
JP	JAPAN
KE	KENYA
KG	KYRGYZSTAN
KH	CAMBODIA
KI	KIRIBATI
KM	COMOROS
KN	SAINT KITTS AND NEVIS
KP	KOREA, DEMOCRATIC PEOPLE'S REPUBLIC OF
KR	KOREA, REPUBLIC OF
KW	KUWAIT
KY	CAYMAN ISLANDS
KZ	KAZAKHSTAN
LA	LAO PEOPLE'S DEMOCRATIC REPUBLIC
LB	LEBANON
LC	SAINT LUCIA
LI	LIECHTENSTEIN
LK	SRI LANKA
LR	LIBERIA
LS	LESOTHO
LT	LITHUANIA
LU	LUXEMBOURG
LV	LATVIA
LY	LIBYAN ARAB JAMAHIRIYA
MA	MOROCCO
MC	MONACO
MD	MOLDOVA
MG	MADAGASCAR
MH	MARSHALL ISLANDS
MK	MACEDONIA, THE FORMER YUGOSLAV REPUBLIC OF
ML	MALI
MM	MYANMAR
MN	MONGOLIA

MO	MACAU
MP	NORTHERN MARIANA ISLANDS
MQ	MARTINIQUE
MR	MAURITANIA
MS	MONTSERRAT
MT	MALTA
MU	MAURITIUS
MV	MALDIVES
MW	MALAWI
MX	MEXICO
MY	MALAYSIA
MZ	MOZAMBIQUE
NA	NAMIBIA
NC	NEW CALEDONIA
NE	NIGER
NF	NORFOLK ISLAND
NG	NIGERIA
NI	NICARAGUA
NL	NETHERLANDS
NO	NORWAY
NP	NEPAL
NR	NAURU
NU	NIUE
NZ	NEW ZEALAND
OM	OMAN
PA	PANAMA
PE	PERU
PF	FRENCH POLYNESIA
PG	PAPUA NEW GUINEA
PH	PHILIPPINES
PK	PAKISTAN
PL	POLAND
PM	ST. PIERRE AND MIQUELON
PN	PITCAIRN

PR	PUERTO RICO
PT	PORTUGAL
PW	PALAU
PY	PARAGUAY
QA	QATAR
RE	REUNION
RO	ROMANIA
RU	RUSSIA
RW	RWANDA
SA	SAUDI ARABIA
SB	SOLOMON ISLANDS
SC	SEYCHELLES
SD	SUDAN
SE	SWEDEN
SG	SINGAPORE
SH	ST. HELENA
SI	SLOVENIA
SJ	SVALBARD AND JAN MAYEN ISLANDS
SK	SLOVAKIA (SLOVAK REPUBLIC)
SL	SIERRA LEONE
SM	SAN MARINO
SN	SENEGAL
SO	SOMALIA
SR	SURINAME
ST	SAO TOME AND PRINCIPE
SV	EL SALVADOR
SY	SYRIAN ARAB REPUBLIC
SZ	SWAZILAND
TC	TURKS AND CAICOS ISLANDS
TD	CHAD
TF	FRENCH SOUTHERN TERRITORIES
TG	TOGO
TH	THAILAND
TJ	TAJIKISTAN

TK	TOKELAU
TM	TURKMENISTAN
TN	TUNISIA
TO	TONGA
TP	EAST TIMOR
TR	TURKEY
TT	TRINIDAD AND TOBAGO
TV	TUVALU
TW	TAIWAN, PROVINCE OF CHINA
TZ	TANZANIA, UNITED REPUBLIC OF
UA	UKRAINE
UG	UGANDA
UM	UNITED STATES MINOR OUTLYING ISLANDS
US	UNITED STATES
UY	URUGUAY
UZ	UZBEKISTAN
VA	VATICAN CITY STATE (HOLY SEE)
VC	SAINT VINCENT AND THE GRENADINES
VE	VENEZUELA
VG	VIRGIN ISLANDS (BRITISH)
VI	VIRGIN ISLANDS (U.S.)
VN	VIET NAM
VU	VANUATU
WF	WALLIS AND FUTUNA ISLANDS
WS	SAMOA
YE	YEMEN
YT	MAYOTTE
YU	YUGOSLAVIA
ZA	SOUTH AFRICA
ZM	ZAMBIA
ZR	ZAIRE
ZW	ZIMBABWE

3227 Location function code qualifier

Code	Name/Description
1	Place of terms of delivery (3018) Point or port of departure, shipment or destination, as required under the applicable terms of delivery, e.g. Incoterms.
2	Payment place Place where funds are to be, or have been made available to the creditor.
4	Goods receipt place Place at which the goods have been received.
5	Place of departure (3214) Port, airport or other location from which a means of transport or transport equipment is scheduled to depart or has departed.
7	Place of delivery (3246) Place to which the goods are to be finally delivered under transport contract terms (operational term).
8	Place of destination Port, airport or other location to which a means of transport or transport equipment is destined.
9	Place/port of loading (3334 + 3230) Seaport, airport, freight terminal, rail station or other place at which the goods (cargo) are loaded on to the means of transport being used for their carriage.
10	Place of acceptance (3348) Place at which the goods are taken over by the carrier.
11	Place/port of discharge (3392 + 3414) Seaport, airport, freight terminal, rail station or other place at which the goods (cargo) are unloaded from the means of transport having been used for their carriage.
12	Port of discharge Port at which the goods are discharged from the vessel used for their transport.
13	Place of transshipment (3424) Place where goods are transferred from one means of transport to another (operational term).
14	Location of goods (3384) Place where goods are located and where they are available for examination.
15	Place of transfer responsibility Place where the responsibility is transferred.
16	Place of transfer of ownership Place where the ownership of the goods is transferred.
17	Border crossing place Place where goods are transported across a country border.
18	Warehouse (3156) Warehouse where a particular consignment has been stored.
19	Factory/plant Factory/plant relevant for a particular consignment.
20	Place of ultimate destination of goods Place where goods will ultimately be delivered.
21	Terms of sale place Place of departure, shipment or destination as specified in the terms of sale agreed between

	the parties.
22	Customs office of clearance (3080) Place where Customs clearance procedure occur (CCC).
23	Port of release Port where goods are released from Customs custody.
24	Port of entry Port where final documentation is filed for Customs Entry processing.
25	Country Country relevant for a particular transaction.
26	City City or town relevant for a particular transaction or consignment.
27	Country of origin [3238] Country in which the goods have been produced or manufactured, according to criteria laid down for the purposes of application of the Customs tariff, of quantitative restrictions, or of any other measure related to trade.
28	Country of destination of goods Country to which the goods are to be delivered.
29	Railway station Name or identification of a railway station/yard relevant to a particular consignment.
30	Country of source Country in which raw material or components were originally produced prior to manufacture or assembly in another country.
31	Building A building or part thereof relevant to a particular consignment or transaction.
32	Beginning of chargeable section First rail station in a predefined section of the chargeable voyage. A complete voyage may be divided in sections, even within one country, that are separately chargeable using different tariff rules (split tariffs).
33	Baseport of discharge The port of discharge according to the tariff as opposed to the operational port of discharge. The goods may or may not be actually discharged at that port on the main transport.
34	Baseport of loading The port of loading according to the tariff as opposed to the operational port of loading. The goods may or may not be actually loaded at that port on the main transport.
35	Country of exportation/despatch (3220) Country from which the goods were initially exported to the importing country without any commercial transaction taking place in intermediate countries. Syn.: country whence consigned. Country of despatch: country from which goods are despatched between countries of a Customs union.
36	Country of ultimate destination (3216) Country known to the consignor or his agent at the time of despatch to be the final country to which the goods are to be delivered.
37	Country of last consignment [3331] Country where the goods are loaded onto the means of transport used for their importation.
38	Country of first destination [3219] Country where the goods are offloaded from the means of transport used for their exportation.

39	Country of production Country where item has been or will be produced.
40	Country of trading Country where item has been or will be traded.
41	Customs office of entry [3088] Customs office at which the goods enter the country of destination.
42	Customs office of exit [3096] Customs office at which the goods leave the country of dispatch/export.
43	Place of Customs examination Place where Customs undertakes a physical inspection of goods to satisfy themselves that the goods' nature, origin, condition, quantity and value are in accordance with the particulars furnished on the goods declaration (CCC).
44	Place of authentication of document (3410) Place where document is signed or otherwise authenticated. Synonym: Place of issue of document.
45	Customs office of destination (transit) (3086) Customs office at which a transit operation is terminated. Synonym: Customs office of transit termination.
46	Region of despatch Region from which goods are despatched between countries of a Customs union.
47	Region of destination Region known to the consignor or his agent at the time of despatch to be the final region to which the goods are to be delivered.
48	Region of production Region where item has been or will be produced.
49	Country of transit Country through which goods transit.
50	Customs office of transit [3106] Customs office which is competent for transit formalities en route.
51	Country of invalid transit guarantee Country in which the security or guarantee for the movement of goods under a transit procedure is not valid.
52	Country of destination (transit) Country at which a Customs transit operation is terminated. Synonym: Country of transit termination.
53	Charge and freight due from Place or point from which charges and freight are charged.
54	Manufacturing department A department within the manufacturing area (e.g. lacquering, assembly).
55	Charges and freight payable to [3274] Name of place up to which freight charges and other charges are to be paid.
56	End of chargeable section Last rail station in a predefined section of the chargeable voyage. A complete voyage may be divided in sections, even within one country, that are separately chargeable using different tariff rules (split tariffs).
57	Place of payment

	Name of the location at which freight and charges for main transport are payable.
58	Full track loading or unloading Identification of the station proceeding to the loading or unloading of a rail wagon on a full track site. (Used only when a rail station is obliged to transfer the load on another wagon for technical reasons - e.g. damage).
59	Place of loss To identify the location where the loss occurred.
60	Place of arrival Place at which the transport means arrives.
61	Next port of call Next port which the vessel is going to call upon.
62	On-carriage port Port of discharge at which the cargo is discharged from the vessel, used for transport after the main transport (transit port).
63	Sub-project location A place at which works occur referring to a sub-project.
64	First optional place of discharge The first optional place or port of discharge as mentioned on the transport document where cargo can be discharged at the option of the shipper.
65	Final port or place of discharge Name of the seaport, airport, freight terminal, rail station or other place at which the goods (cargo) are finally (to be) unloaded from the means of transport used for their carriage according to the transport contract.
66	Express railway station Railway station offering express transportation services.
67	Mixed cargo railway station Railway station offering mixed cargo transportation services .
68	Second optional place of discharge The second optional place or port of discharge as mentioned on the transport document where cargo can be discharged at the option of shipper.
69	Next non-discharge port of call A code to identify the next port of call for a vessel where no cargo will be discharged.
70	Third optional place of discharge The third optional place or port of discharge as mentioned on the transport document where cargo can be discharged at the option of the shipper.
71	Reconsolidation point A place where cargo is reconsolidated.
72	Fourth optional place of discharge The fourth optional place or port of discharge as mentioned on the transport document where cargo can be discharged at the option of the shipper.
73	Bill of lading release office A location where bills of lading are released to customers.
74	Transshipment excluding this place Place/location where a transshipment from a means of transport to another means of transport is not authorised.
75	Transshipment limited to this place Only place/location where a transshipment from a means of transport to another means of

	transport is authorised.
76	Original port of loading The port where the goods were first loaded on a vessel.
77	First port of call - non-discharging Port in the country of destination where the conveyance initially arrives from the 'last place/port of call of conveyance' and where a conveyance will not be discharging cargoes.
78	First port of call - discharging Port in the country of destination where the conveyance initially arrives from the 'last place/port of call of conveyance' and where a conveyance will be discharging cargoes.
79	Place/port of first entry Place or port where final documentation is filed for Customs entry processing.
80	Place of despatch Place at which the goods are taken over for carriage (operational term), if different from the transport contract place of acceptance (see: 10). Synonym: Place of origin of carriage.
81	Fifth optional place of discharge The fifth optional place or port of discharge as mentioned on the transport document where cargo can be discharged at the option of the shipper.
82	Pre-carriage port Port of loading at which the cargo is loaded on the pre-carriage vessel used for the transport prior to the main transport.
83	Place of delivery (by on carriage) Place to which the goods are to be finally delivered.
84	Transport contract place of acceptance Place at which the goods are taken over by the carrier according to the contract of carriage.
85	Transport contract place of destination Place to which the goods are destined.
86	Country of valid transit guarantee Country in which the security or guarantee for the movement of goods under a transit procedure is valid.
87	Place/port of conveyance initial arrival Place/port in the country of destination where the conveyance initially arrives from the "Last place/port of call of conveyance" (125).
88	Place of receipt Identification of the location at which the cargo is actually received.
89	Place of registration Place where the registration occurs.
90	Place/location where special treatments have happened or must happen Self explanatory.
91	Place of document issue The place or location where a document is issued.
92	Routing Indication of a routing place.
93	Station of application of additional costs Rail station where, according to the transport contract, some chargeable operations must happen (re-weighting, re-fixing of the load, control on equipment and on consignment, etc.).
94	Previous port of call

	Previous port which the vessel has called upon.
95	Sailing destination area Geographical area to which the vessel's trip is destined.
96	Place of lodgement of documents Customs station where, required documents for Customs declarations, have been lodged.
97	Optional place of discharge The optional place or port of discharge as mentioned on the bill of lading where cargo is discharged at the option of the shipper.
98	Place of empty equipment despatch The location from which empty equipment is despatched.
99	Place of empty equipment return The location to which empty equipment is returned.
100	Place/port of warehouse entry Location (e.g. district) within a Customs territory where a warehouse entry was filed to enter merchandise into a Customs bonded warehouse.
101	Country of first sale Name of country where firstly a sale took place.
102	Country of purchase [3394] Country where the importer's co-contractor is domiciled or has his business.
103	Place of transfer Place at which goods are transferred from one carrier to another (contractual term).
104	Place of deconsolidation Place where a large consignment is de-grouped into smaller consignments.
105	Place of consumption Place/location where goods enter the marketplace (commerce) of the importing country.
106	Region of origin Region in which the goods have been produced or manufactured according to the criteria laid down for the purposes of the application of the Customs tariff, of quantitative restrictions or of any other measures related to trade (see: 3238).
107	Place of consolidation Place where smaller consignments of goods are grouped together into a large consignment to be transported as a larger unit.
108	Rate combination point Point over which sector rates are combined.
109	Place of prolongation decision of delivery delay Place where it has been decided to prolong the delivery delay.
110	Recharging place/location Place/location where a consignment has been changed of destination and is subject to a recharge note. (Complementary orders to modify the routing of the transport may be given, upon which a new charge calculation may be applied by the carrier).
111	Customs office of despatch Customs office from which goods are despatched between countries of a Customs union.
112	Region of equipment availability Region in which a piece of equipment is requested to be made available for on-hire.
113	Country of despatch Country from which goods are despatched within a Customs union.

114	Customs office of export Customs office from which goods are taken out of the Customs territory (CCC).
115	Free zone of export Foreign free zone (desc: see 1131 = 131) from which goods are exported to the country of importation.
116	Region of export/despatch Region from which the goods were initially exported to the importing country without any commercial transaction taking place in intermediate countries. Region of despatch: region from which goods are despatched between countries of a Customs union.
117	Place of collection Place where goods are to be or could be picked up (collected).
118	Customs office of departure Customs office at which a Customs transit operation commences (CCC).
119	Customs office of transit guarantee [3110] Customs office at which a security or guarantee for the movement of goods under a transit procedure is lodged.
120	Country of transshipment Country where goods are transferred under Customs control from the importing means of transport to the exporting means of transport within the area of one Customs office which is the office of both importation and exportation (CCC).
121	Country of sale [3116] Country where exporter's co-contractor is domiciled or has his business.
122	Customs office of destination Customs office where the goods are to be cleared (CCC).
123	Wagon-load railway station A railway station where rail wagons are loaded.
124	Siding A short railway track for loading or unloading rail wagons, or bypassing of trains, connected with a main track by switch.
125	Last place/port of call of conveyance Conveyance departed from this last foreign place/port of call to go to "Place/port of conveyance initial arrival" (87).
126	Country of previous Customs procedure Country in which the Customs declaration for the previous Customs procedure has been lodged.
127	Customs office of registration of previous Customs declaration Customs office where the previous Customs declaration has been lodged.
128	Participant sender location Place where a participant in the movement of goods is located and can be contacted.
129	Wage negotiation district The district to which workers belong for the purposes of union wage negotiation.
130	Place of ultimate destination of conveyance Seaport, airport, freight terminal, rail station or other place to which a means of transport is ultimately destined.
131	Place of loading of empty equipment Seaport, airport, freight terminal, rail station or other place where empty equipment (e.g. containers) was loaded onto means of transport.

132	Place of discharge of empty equipment Seaport, airport, freight terminal, rail station or other place where empty equipment (e.g. containers) was unloaded from means of transport.
133	Region of delivery (3246) Region to which the goods are to be finally delivered under transport contract terms (operational term).
134	Petroleum warehouse Bonded petroleum warehouse or the supplier source.
135	Place of entry (Customs) Place at which the goods enter the Customs territory.
136	Living animals care place Place where living animal cares are provided.
137	Re-icing place Place where re-icing must be executed.
138	Weighting place Place where weight can be ascertained.
139	Marshalling yard Station where the wagons are disconnected and reconnected to form a new train.
140	Stopping station Station where the train must stop or is stopped for unexpected handling.
141	Loading dock Platform specially equipped for loading and unloading of rail wagons.
142	Port connection Track connecting a rail station to a dock.
143	Place of expiry Place where the documentary credit expires for presentation of required documents.
144	Place of negotiation Place where the documentary credit is to be presented for negotiation.
145	Claims payable place Place where insurance claims are payable.
146	Documentary credit available in Place where the documentary credit is available with any bank.
147	Stowage cell Location on a vessel where units can be stowed.
148	For transportation to Place/country where goods are to be transported to.
149	Loading on board/despatch/taking in charge at/from Place/country where goods have to be loaded on board, despatched or taken in charge.
150	Container stack position Stack position of a container at a terminal, depot or freight station.
151	Private box A private box used for pick-up and delivery of packages, e.g. of express packages.
152	Next port of discharge Next port at which goods are discharged from the vessel used for their transport.

153	Port of call Port where a vessel has called upon or will call upon.
154	Place/location of on-hire Place/location where an object is contracted for use.
155	Place/location of off-hire Place/location where an object's contract for use ends.
156	Other carriers terminal A carrier terminal belonging to a carrier other than the original carrier.
157	Country of Value Added Tax (VAT) jurisdiction The country governing the VAT regulation to which the transaction is subject.
158	Contact location The site where a contact is located.
159	Additional internal destination Any location within the consignee's premises where the goods are moved to.
160	Foreign port of call A code to identify the foreign port where the vessel calls at or will call at.
161	Maintenance location A location where maintenance has been or will be performed.
162	Place or location of sale Place or location at which the sale takes place.
163	Direct investment country Country in which a direct investment is made or withdrawn.
164	Berth Place or location in a port where a vessel is moored.
165	Construction country Country in which the construction work is made.
166	Donation acting country Country acting in the donation of aid.
167	Payment transaction country Country of the foreign counterpart of the payment transaction.
168	Physical place of return of item Physical place at which the item is returned, i.e. the location where the supplier receives the item from the customer.
169	Relay port A location where cargo is transferred from one ocean carrier's vessel to another vessel owned or operated by the same carrier under the same bill of lading.
170	Final port of discharge Last port at which cargo is unloaded from a vessel before the cargo is moved to a place of delivery or destination.
171	Place of destination for pre-stacking prior to stowage The destination location for which items are to be pre-stacked prior to being stowed together on a means of transport.
172	Reporting location The location to which the information being reported is applicable.
173	Transport contract place of despatch

	A place from which goods are despatched as per transport contract.
174	Place of residence A place where a party lives.
175	Activity location A place at which the activity occurs.
176	Pick-up location Location for pick up.
177	Construction site A place at which construction works occur.
178	Port of embarkation Port where the person embarks onto the conveyance.
179	Port of disembarkation Port where the person disembarks from the conveyance.
180	Place of birth Place where the person was born.
181	Registered office Identifies the place or location of a registered office.
182	Place of incorporation Identifies the location of incorporation.
183	Place of business Identifies the place or location of a business.
184	Physical location Identifies the physical location.
185	Location to send mail Identifies the location to which mail is sent.
186	Foreign registration location Identifies the place or location of foreign registration.
187	Tax filed from location Identifies the location from which taxes are filed.
188	Filing location Identifies the location of the filing entity.
189	Former location Identifies an earlier or previous place or location.
190	Head office Identifies the place or location of a head office.
191	Property Identifies the place or location of property.
192	Correct location Identifies the correct place or location.
193	Branch location Identifies the place or location of a branch.
194	Former registered location Identifies the former registered location of an entity.
195	Future location

	Location to be used in the future.
196	Changed to location Identifies the change to location.
197	Place of inquiry Place to which an inquiry is made.
198	Original location Identifies the original location.
199	Country of last source The country where a product or service was last sourced.
200	Place of handling Place where a handling operation is to be, or has been, performed.
201	Country of origin as defined by transportation agency Country of origin as defined by the transportation agency.
202	Terminal A terminus for transport vehicles.
203	Sample location Code identifying the location from which a sample is taken.
204	Hospital Advanced Dependency Unit (ADU) A designated unit in a hospital for advanced dependency nursing care.
205	Hospital Neonatal Intensive Care Unit (NICU) A designated unit in a hospital for the provision of intensive care to neonates.
206	Hospital Paediatric Care Unit (PCU) A designated unit in a hospital for the provision of care to paediatric patients.
207	Hospital Intensive Care Unit (ICU) An intensive care unit in a hospital.
208	Hospital luxury room A room in a hospital for patient accommodation of superior standard.
209	Hospital shared room A room in a hospital for shared accommodation of patients.
210	Hospital private room A room in a hospital for private accommodation of a patient.
211	Bidding area An area for which bids can be made with the same price applicable to the whole area.
212	Price area An area for which the same price is applicable to the whole area.
213	Country of destination of equipment Country of the last place where the equipment will stop.
214	Aircraft airport stand Code used to specify the airport stand allocated to the aircraft.
215	Airport passenger terminal Code used to specify the airport terminal used for the embarking or disembarking of passengers.
216	Previous berth Place or location in a port where a vessel was previously moored.

217	Next berth Place or location in a port where a vessel will be moored, after moving from the current location.
218	Entity location Identifies the place or location of the entity.
ZZZ	Mutually defined Place or location as agreed between the relevant parties.

3453 Language name code

Code	Name/Description
AA	Afar
aa	Afar
AB	Abkhazian
ab	Abkhazian
AF	Afrikaans
af	Afrikaans
AM	Amharic
am	Amharic
AR	Arabic
ar	Arabic
AS	Assamese
as	Assamese
AY	Aymara
ay	Aymara
AZ	Azerbaijani
az	Azerbaijani
BA	Bashkir
ba	Bashkir
BE	Byelorussian
be	Byelorussian
BG	Bulgarian
bg	Bulgarian
BH	Bihari
bh	Bihari
BI	Bislama
bi	Bislama

BN	Bengali; Bangla
bn	Bengali; Bangla
BO	Tibetan
bo	Tibetan
BR	Breton
br	Breton
CA	Catalan
ca	Catalan
CO	Corsican
co	Corsican
CS	Czech
cs	Czech
CY	Welsh
cy	Welsh
DA	Danish
da	Danish
DE	German
de	German
DZ	Bhutani
dz	Bhutani
EL	Greek
el	Greek
EN	English
en	English
EO	Esperanto
eo	Esperanto
ES	Spanish
es	Spanish
ET	Esotonian
et	Esotonian
EU	Basque
eu	Basque
FA	Persian
fa	Persian



FI	Finnish
fi	Finnish
FJ	Fiji
fj	Fiji
FO	Faroese
fo	Faroese
FR	French
fr	French
FY	Frisian
fy	Frisian
GA	Irish
ga	Irish
GD	Scots Gaelic
gd	Scots Gaelic
GL	Galician
gl	Galician
GN	Guarani
gn	Guarani
GU	Gujarati
gu	Gujarati
HA	Hausa
ha	Hausa
HE	Hebrew
he	Hebrew
HI	Hindi
hi	Hindi
HR	Croatian
hr	Croatian
HU	Hungarian
hu	Hungarian
HY	Armenian
hy	Armenian
IA	Interlingua
ia	Interlingua

ID	Indonesian
id	Indonesian
IE	Interlingue
ie	Interlingue
IK	Inupiak
ik	Inupiak
IS	Icelandic
is	Icelandic
IT	Italian
it	Italian
IU	Eskimo, Inuktiut CA
iu	Eskimo, Inuktiut CA
JA	Japanese
ja	Japanese
JW	Javanese
jw	Javanese
KA	Georgian
ka	Georgian
Kk	Kazakh
kk	Kazakh
KL	Greenlandic
kl	Greenlandic
KM	Cambodian
km	Cambodian
KN	Kannada
kn	Kannada
KO	Korean
ko	Korean
KS	Kashmiri
ks	Kashmiri
KU	Kurdish
ku	Kurdish
KY	Kirghiz
ky	Kirghiz

LA	Latin
la	Latin
LN	Lingala
ln	Lingala
LO	Laothian
lo	Laothian
LT	Lithuanian
lt	Lithuanian
LV	Latvian, Lettish
lv	Latvian, Lettish
MG	Malagasy
mg	Malagasy
MI	Maori
mi	Maori
MK	Macedonian
mk	Macedonian
ML	Malayalam
ml	Malayalam
MN	Mangolian
mn	Mangolian
MO	Moldavian
mo	Moldavian
MR	Marathi
mr	Marathi
MS	Malay
ms	Malay
MT	Maltese
mt	Maltese
NA	Nauru
na	Nauru
NE	Nepali
ne	Nepali
NL	Dutch
nl	Dutch

NO	Norwegian
no	Norwegian
OC	Occitan
oc	Occitan
OM	(Afan) Oromo
om	(Afan) Oromo
OR	Oriya
or	Oriya
PA	Punjabi
pa	Punjabi
PL	Polish
pl	Polish
PS	Pashto, Pushto
ps	Pashto, Pushto
PT	Portuguese
pt	Portuguese
QU	Quechua
qu	Quechua
RM	Rhaeto-Romance
rm	Rhaeto-Romance
RN	Kirundi
rn	Kirundi
RO	Romanian
ro	Romanian
RU	Russian
ru	Russian
RW	Kinyarwanda
rw	Kinyarwanda
SA	Sanskrit
sa	Sanskrit
SD	Sindhi
sd	Sindhi
SG	Sangho
sg	Sangho

SH	Serbo-Croatian
sh	Serbo-Croatian
SI	Singhalese
si	Singhalese
SK	Slovak
sk	Slovak
SL	Slovenian
sl	Slovenian
SM	Samoaan
sm	Samoaan
SN	Shona
sn	Shona
SO	Somali
so	Somali
SQ	Albanian
sq	Albanian
SR	Serbian
sr	Serbian
SS	Siswati
ss	Siswati
ST	Sesotho
st	Sesotho
SU	Sundanese
su	Sundanese
SV	Swedish
sv	Swedish
SW	Sawahili
sw	Sawahili
TA	Tamil
ta	Tamil
TE	Telugu
te	Telugu
TG	Tajik
tg	Tajik

TH	Thai
th	Thai
TI	Tigrinya
ti	Tigrinya
TK	Turkmen
tk	Turkmen
TL	Tagalog
tl	Tagalog
TN	Setswana
tn	Setswana
TO	Tonga
to	Tonga
TR	Turkish
tr	Turkish
TS	Tsonga
ts	Tsonga
TT	Tatar
tt	Tatar
TW	Twi
tw	Twi
UG	Uigur
ug	Uigur
UK	Ukrainian
uk	Ukrainian
UR	Urdu
ur	Urdu
UZ	Uzbek
uz	Uzbek
VI	Vietnamese
vi	Vietnamese
VO	Volapük
vo	Volapük
WO	Wolof
wo	Wolof

XH	Xhosa
xh	Xhosa
YI	Yiddish
yi	Yiddish
YO	Yoruba
yo	Yoruba
ZA	Zhuang
za	Zhuang
ZH	Chinese
zh	Chinese
ZU	Zulu
zu	Zulu

4017 Delivery plan commitment level code

Code	Name/Description
1	Firm Indicates that the scheduling information is a firm commitment.

4053 Delivery or transport terms description code

Code	Name/Description
CIP	Freight, Carriage, Insurance to destination
EXW	Ex works

4055 Terms of delivery or transport function, coded

Code	Name/Description
6	Delivery condition Specifies the conditions under which the goods must be delivered to the consignee.

4347 Product id. function qualifier

Code	Name/Description
1	Additional identification Information which specifies and qualifies product identifications.

4441 Free text value code

Code	Name/Description
------	------------------

AGREEMENT

ATTACHMENT

AVIS

CASH

CHEQUE

CUSTEX1

DATE

WH_INSTRUC

4451 Text subject code qualifier

Code	Name/Description
AAA	Goods description [7002] Plain language description of the nature of the goods sufficient to identify them at the level required for banking, Customs, statistical or transport purposes, avoiding unnecessary detail (Generic term).
AAB	Terms of payments [4276] Conditions of payment between the parties to a transaction (generic term).
AAI	General information Self explanatory.
AAK	Price conditions Information on the price conditions that are expected or given.
AAL	Goods dimensions in characters Expression of a number in characters as length of ten meters.
AAR	Terms of delivery (4053) Free text of the non Incoterms terms of delivery. For Incoterms, use: 4053.
ACF	Additional attribute information The text refers to information about an additional attribute not otherwise specified.
AGE	Contract information Details about contract(s).
DEL	Delivery information Information about delivery.
INV	Invoice instruction Note contains invoice instructions.
LIN	Line item Note contains line item information.
ORI	Order instruction Free text contains order instructions.
TDT	Transport details remarks Additional information related to transport details.
WHI	Warehouse instruction/information Note contains warehouse information.

ZZZ Mutually defined
 Note contains information mutually defined by trading partners.

5025 Monetary amount type code qualifier

Code	Name/Description
22	Cash on delivery amount Amount to be collected by carrier upon delivery of goods. This amount represents approximately the value of the goods.
203	Line item amount Goods item total minus allowances plus charges for line item. See also Code 66.

5125 Price qualifier

Code	Name/Description
AAA	Calculation net The price stated is the net price including allowances/ charges. Allowances/charges may be stated for information only.

6063 Quantity type code qualifier

Code	Name/Description
11	Split quantity Part of the whole quantity.
21	Ordered quantity The quantity which has been ordered.

6069 Control total type code qualifier

Code	Name/Description
2	Number of line items in message Self-explanatory.

6343 Currency qualifier

Code	Name/Description
9	Order currency The name or symbol of the monetary unit used in an order.

6345 Currency identification code

Code	Name/Description
EUR	Euro On 1 January 1999, the euro will become the currency of those Member states of the European Union which adopt the single currency in accordance with the Treaty establishing the European

Community. This code has been issued now so that technical preparations can be started. The code element 'EU' has been reserved by the ISO 3166 Maintenance Agency for use within ISO 4217 where 'R' has been appended to make an acceptable mnemonic code.

6347 Currency details qualifier

Code	Name/Description
2	Reference currency The currency applicable to amounts stated. It may have to be converted.

6411 Measurement unit code

Code	Name/Description
EA	each

7077 Item description type, coded

Code	Name/Description
A	Free-form long description Long description of an item in free form.

7143 Item type identification code

Code	Name/Description
EN	International Article Numbering Association (EAN) Number assigned to a manufacturer's product according to the International Article Numbering Association.
IN	Buyer's item number Self explanatory.
SA	Supplier's article number Number assigned to an article by the supplier of that article.

8051 Transport stage code qualifier

Code	Name/Description
20	Main-carriage transport The primary stage in the movement of cargo from the point of origin to the intended destination.

8178 Transport means description

Code	Name/Description
04	
05	
06	

07

08

8179 Transport means description code

Code

Name/Description

17

Customer determined means of transport
The type of means of transport is to be determined by the customer.
