



EDI Implementation Documentation

EDIFACT 99B ORDRSP for suppliers

based on

ORDRSP

Purchase order response message

UN D.99B S4

- **Structure Chart**
- **Branching Diagram**
- **Segment Details**

Version 1
Variant 1
Issue date 04.04.2012

Structure / Table of Contents

Counte	No	Tag	St	MaxOcc	Level	Content
	0000	1 UNA	C	1	0	Service string advice
	0000	2 UNB	M	1	0	Interchange header
	0010	3 UNH	M	1	0	Message header
	0020	4 BGM	M	1	0	Beginning of message
	0030	5 DTM	M	35	1	Date/time/period
	0030	6 DTM	M	35	1	Date/time/period
	0030	7 DTM	M	35	1	Date/time/period
	0070	8 FTX	C	99	1	Free text
	0070	9 FTX	C	99	1	Free text
	0150	SG3	C	99	1	NAD-LOC-FII-SG4-SG5_SG6 BY
	0160	10 NAD	M	1	1	Name and address
	0250	SG6	C	5	2	CTA-COM
	0260	11 CTA	M	1	2	Contact information
	0270	12 COM	C	5	3	Communication contact
	0150	SG3	C	99	1	NAD-LOC-FII-SG4-SG5_SG6 CN
	0160	13 NAD	M	1	1	Name and address
	0250	SG6	C	5	2	CTA-COM
	0260	14 CTA	M	1	2	Contact information
	0270	15 COM	C	5	3	Communication contact
	0150	SG3	C	99	1	NAD-LOC-FII-SG4-SG5_SG6 DP
	0160	16 NAD	M	1	1	Name and address
	0250	SG6	C	5	2	CTA-COM
	0260	17 CTA	M	1	2	Contact information
	0270	18 COM	C	5	3	Communication contact
	0150	SG3	C	99	1	NAD-LOC-FII-SG4-SG5_SG6 SU
	0160	19 NAD	M	1	1	Name and address
	0250	SG6	C	5	2	CTA-COM
	0260	20 CTA	M	1	2	Contact information
	0270	21 COM	C	5	3	Communication contact
	0320	SG8	C	5	1	CUX
	0330	22 CUX	M	1	1	Currencies
	0410	SG10	C	10	1	TDT
	0420	23 TDT	M	1	1	Details of transport
	0460	SG12	C	5	1	TOD
	0470	24 TOD	M	1	1	Terms of delivery or transport
	0970	SG26	C	200000	1	LIN-PIA-IMD-QTY-DTM-MOA-FTX-SG30-SG31-SG37-SG37-SG51
	0980	25 LIN	M	1	1	Line item
	0990	26 PIA	C	25	2	Additional product id

Counter = Counter of segment/group within the standard
 No = Consecutive segment number
 MaxOcc = Maximum occurrence of the segment/group

St = Status
 EDIFACT: M=Mandatory, C=Conditional
 User specific: R=Required, O=Optional, D=Dependent,
 A=Advised, N=Not used

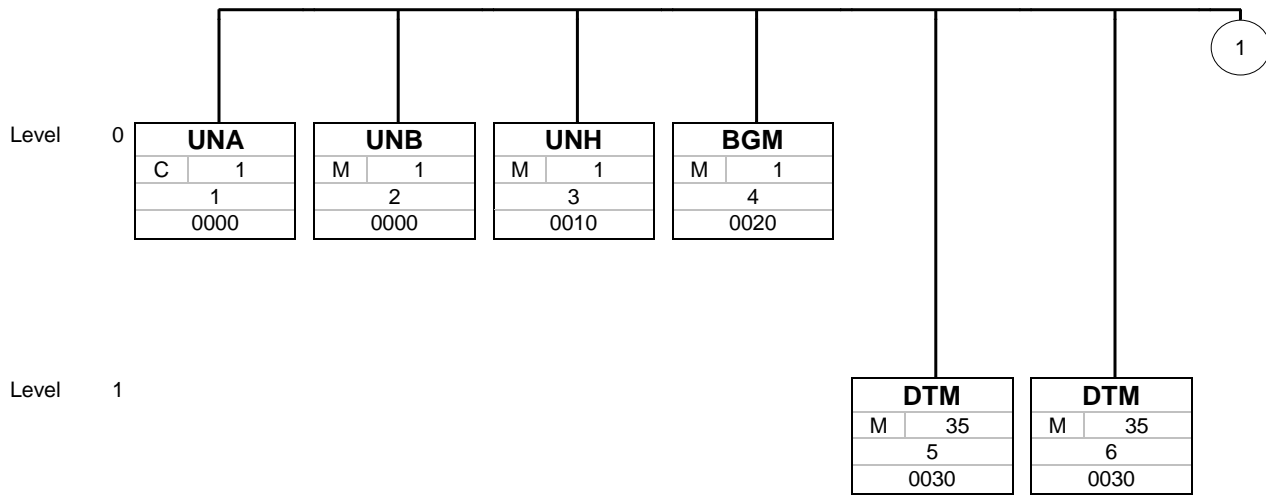
Structure / Table of Contents

Counte	No	Tag	St	MaxOcc	Level	Content	
	1000	27	IMD	C	99	2	Item description
	1020	28	QTY	C	99	2	Quantity
	1050	29	DTM	C	35	2	Date/time/period
	1060	30	MOA	C	10	2	Monetary amount
	1130	31	FTX	C	99	2	Free text
	1260		SG30	C	25	2	PRI
	1270	32	PRI	M	1	2	Price details
	1320		SG31	C	9999	2	RFF-DTM
	1330	33	RFF	M	1	2	Reference
	1340	34	DTM	C	5	3	Date/time/period
	1570		SG37	C	999	2	NAD-LOC-FII-SG38-SG39-SG40 CN
	1580	35	NAD	M	1	2	Name and address
	1670		SG40	C	5	3	CTA-COM
	1680	36	CTA	M	1	3	Contact information
	1690	37	COM	C	5	4	Communication contact
	1570		SG37	C	999	2	NAD-LOC-FII-SG38-SG39-SG40 DP
	1580	38	NAD	M	1	2	Name and address
	1670		SG40	C	5	3	CTA-COM
	1680	39	CTA	M	1	3	Contact information
	1690	40	COM	C	5	4	Communication contact
	2020		SG51	C	100	2	SCC-SG52
	2030	41	SCC	M	1	2	Scheduling conditions
	2060		SG52	C	10	3	QTY-DTM
	2070	42	QTY	M	1	3	Quantity
	2080	43	DTM	C	5	4	Date/time/period
	2190	44	UNS	M	1	0	Section control
	2210	45	CNT	C	10	1	Control total
	2260	46	UNT	M	1	0	Message trailer
	0000	47	UNZ	M	1	0	Interchange trailer

Counter = Counter of segment/group within the standard
 No = Consecutive segment number
 MaxOcc = Maximum occurrence of the segment/group

St = Status
 EDIFACT: M=Mandatory, C=Conditional
 User specific: R=Required, O=Optional, D=Dependent,
 A=Advised, N=Not used

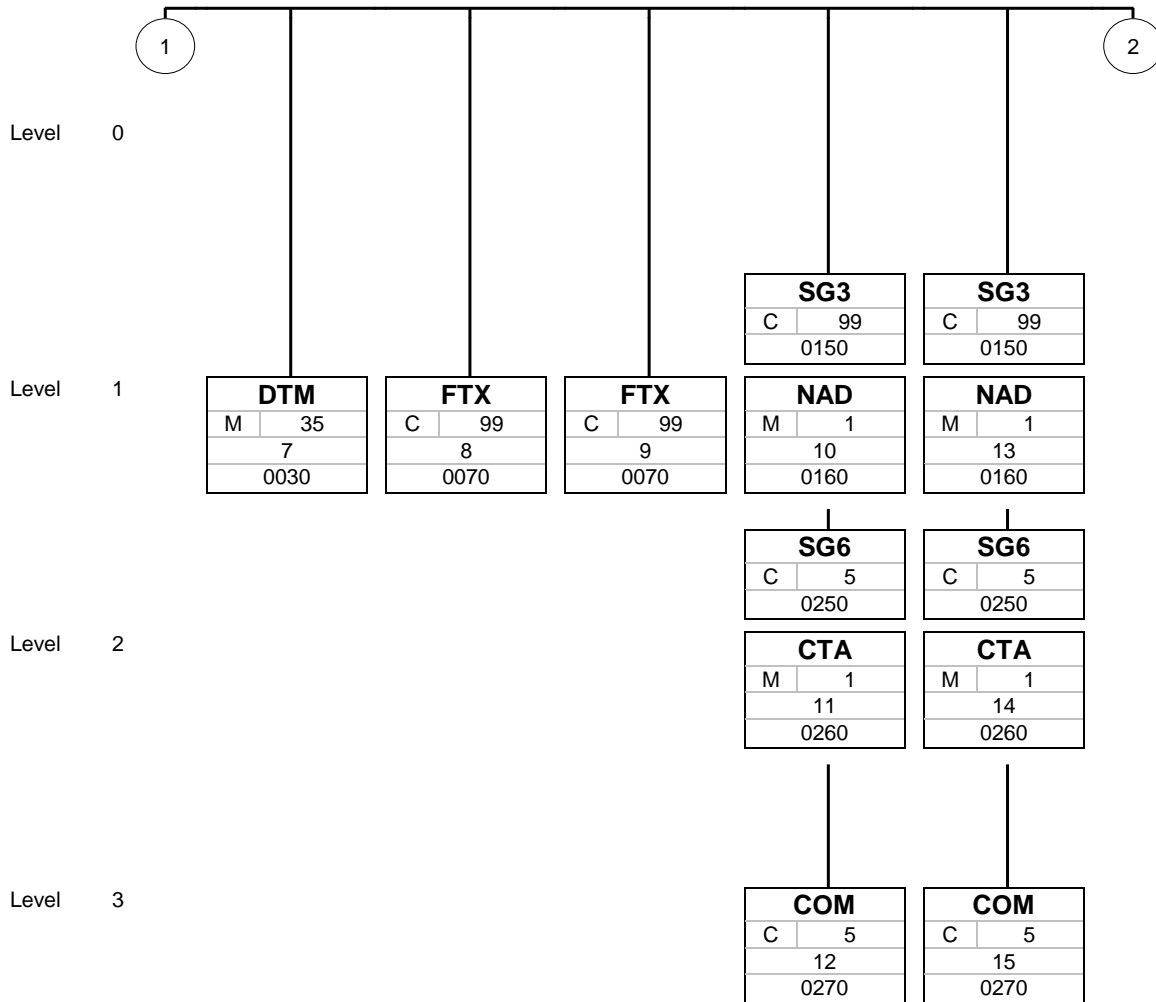
Branching Diagram of Used Segments/Groups



Tag
St MaxOcc
No
Counter

Tag = Segment/Group Tag
 St = Status (M=Mandatory, C=Conditional, R=Required, O=Optional, A=Advised, D=Dependent)
 MaxOcc = Maximum occurrence of the segment/group
 No = Consecutive segment number
 Counter = Counter of segment/group within the standard

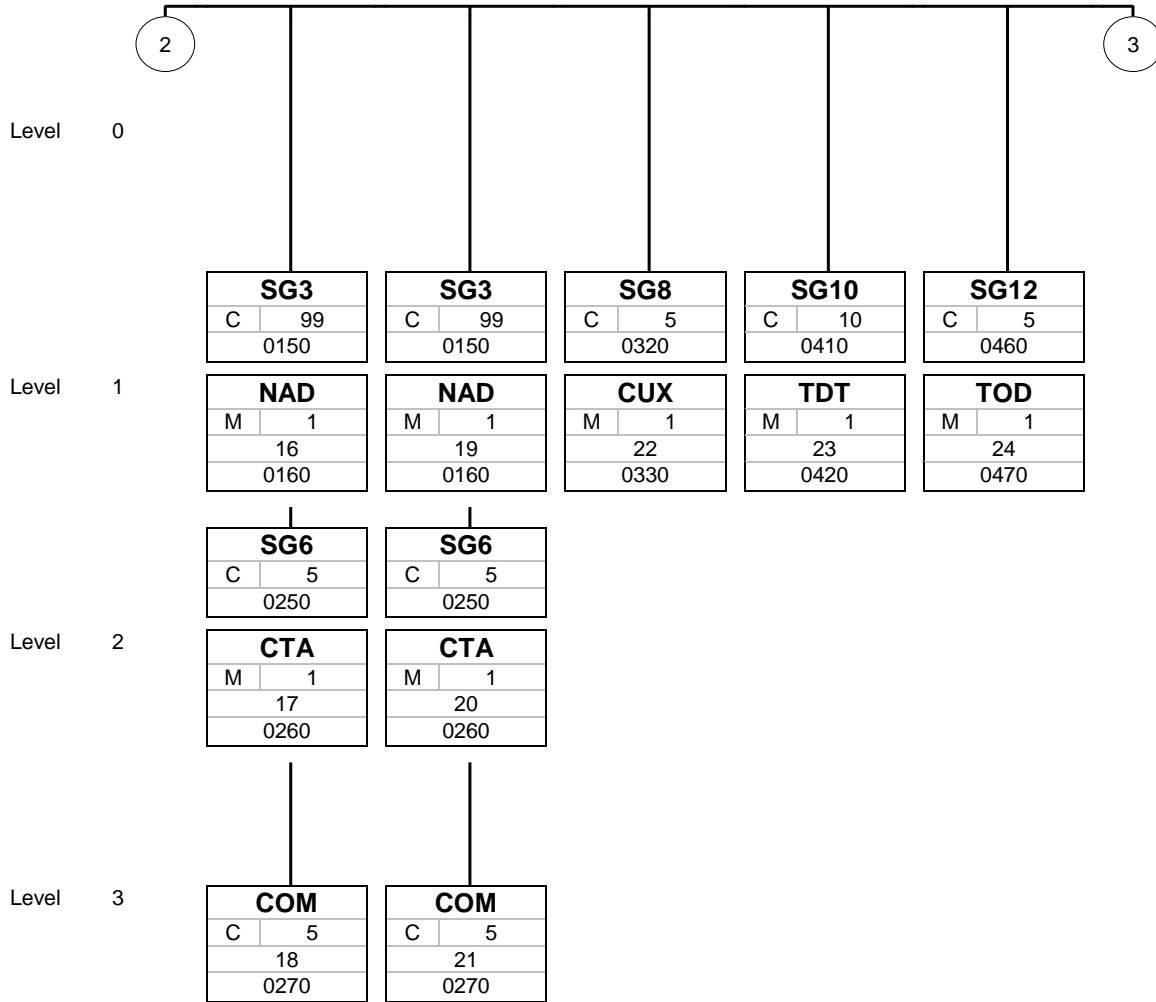
Branching Diagram of Used Segments/Groups



Tag
St MaxOcc
No
Counter

Tag = Segment/Group Tag
 St = Status (M=Mandatory, C=Conditional, R=Required, O=Optional, A=Advised, D=Dependent)
 MaxOcc = Maximum occurrence of the segment/group
 No = Consecutive segment number
 Counter = Counter of segment/group within the standard

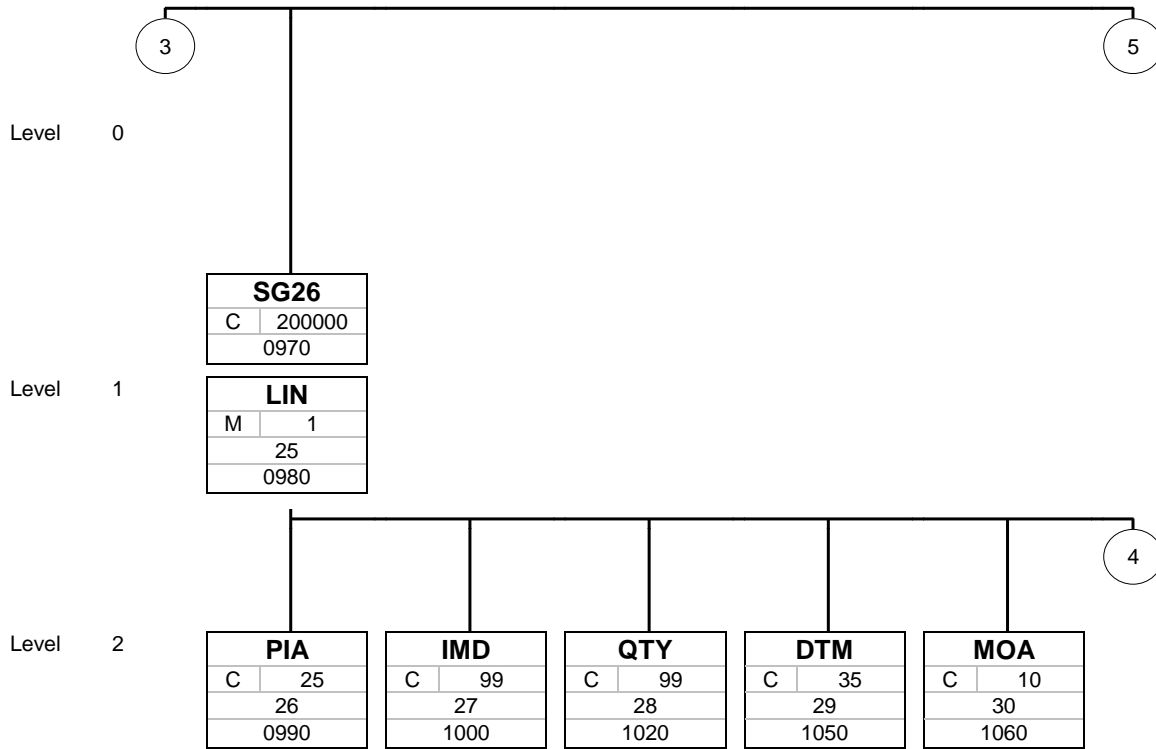
Branching Diagram of Used Segments/Groups



Tag
St MaxOcc
No
Counter

Tag = Segment/Group Tag
 St = Status (M=Mandatory, C=Conditional, R=Required, O=Optional, A=Advised, D=Dependent)
 MaxOcc = Maximum occurrence of the segment/group
 No = Consecutive segment number
 Counter = Counter of segment/group within the standard

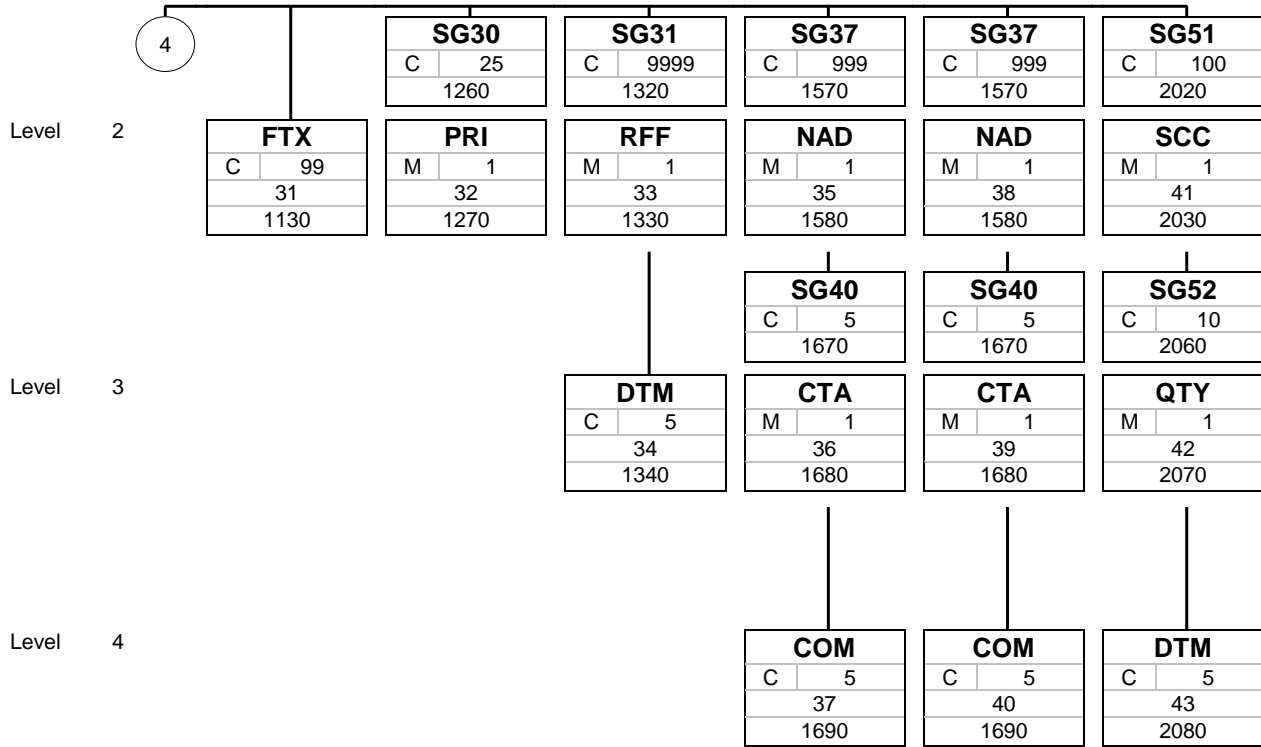
Branching Diagram of Used Segments/Groups



Tag
St MaxOcc
No
Counter

Tag = Segment/Group Tag
 St = Status (M=Mandatory, C=Conditional, R=Required, O=Optional, A=Advised, D=Dependent)
 MaxOcc = Maximum occurrence of the segment/group
 No = Consecutive segment number
 Counter = Counter of segment/group within the standard

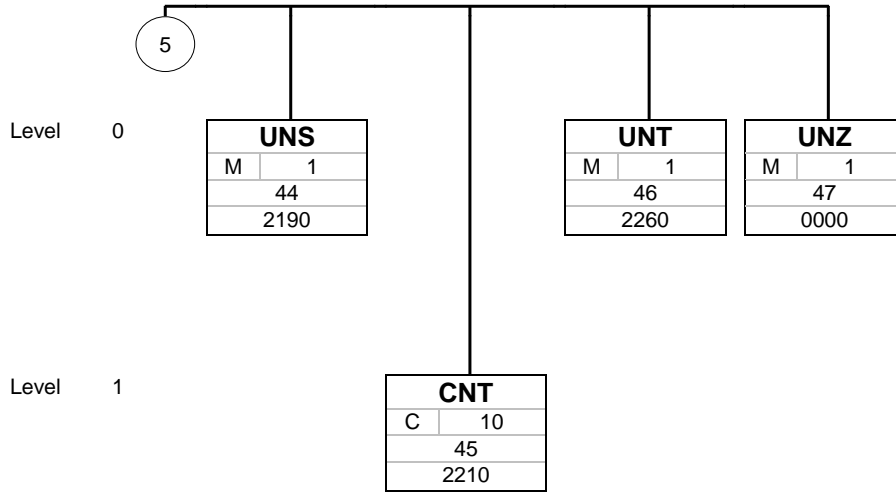
Branching Diagram of Used Segments/Groups



Tag
St MaxOcc
No
Counter

Tag = Segment/Group Tag
 St = Status (M=Mandatory, C=Conditional, R=Required, O=Optional, A=Advised, D=Dependent)
 MaxOcc = Maximum occurrence of the segment/group
 No = Consecutive segment number
 Counter = Counter of segment/group within the standard

Branching Diagram of Used Segments/Groups



Tag	
St	MaxOcc
No	
Counter	

Tag = Segment/Group Tag
 St = Status (M=Mandatory, C=Conditional, R=Required, O=Optional, A=Advised, D=Dependent)
 MaxOcc = Maximum occurrence of the segment/group
 No = Consecutive segment number
 Counter = Counter of segment/group within the standard

Segments

Counter	No	Tag	St	MaxOcc	Level	Name
0000	1	UNA	C	1	0	Service string advice

Standard			Implementation	
Tag	Name	St Format	St Format	Usage / Remark
UNA				
UNA1	Component data element separator	M an1	M an1	
UNA2	Data element separator	M an1	M an1	
UNA3	Decimal mark	M an1	M an1	
UNA4	Release character	M an1	M an1	
UNA5	Repetition separator	M an1	M an1	
UNA6	Segment terminator	M an1	M an1	

Remark:

Example:

UNA:+.?*'

No = Consecutive segment number
 MaxOcc = Maximum occurrence of the segment/group
 Counter = Counter of segment/group within the standard

St = Status
 EDIFACT: M=Mandatory, C=Conditional
 User specific: R=Required, O=Optional, D=Dependent,
 A=Advised, N=Not used

Segments

Counter	No	Tag	St	MaxOcc	Level	Name
0000	2	UNB	M	1	0	Interchange header

Standard			Implementation	
Tag	Name	St Format	St Format	Usage / Remark
UNB				
S001	Syntax identifier	M	M	UNOC UN/ECE level C 4 Version 4
0001	Syntax identifier	M a4	M a4	
0002	Syntax version number	M an1	M an1	
S002	Interchange sender	M	M	ZZZ Mutually defined
0004	Interchange sender identification	M an..35	M an..35	
0007	Identification code qualifier	C an..4	C an..4	
S003	Interchange recipient	M	M	ZZZ Mutually defined
0010	Interchange recipient identification	M an..35	M an..35	
0007	Identification code qualifier	C an..4	C an..4	
S004	Date and time of preparation	M	M	
0017	Date	M n8	M n8	
0019	Time	M n4	M n4	
0020	Interchange control reference	M an..14	M an..14	

Remark:

Example:

UNB+UNOC:4+SUPPLIER_ID:ZZZ+STIHL_WN:ZZZ+20110106:1243+83'

No = Consecutive segment number
 MaxOcc = Maximum occurrence of the segment/group
 Counter = Counter of segment/group within the standard

St = Status
 EDIFACT: M=Mandatory, C=Conditional
 User specific: R=Required, O=Optional, D=Dependent,
 A=Advised, N=Not used

Segments

Counter	No	Tag	St	MaxOcc	Level	Name
0010	3	UNH	M	1	0	Message header

Standard			Implementation	
Tag	Name	St Format	St Format	Usage / Remark
UNH				
0062	Message reference number	M an..14	M an..14	
S009	Message identifier	M	M	
0065	Message type	M an..6	M an..6	ORDRSP Purchase order response message
0052	Message version number	M an..3	M an..3	D Draft version/UN/EDIFACT Directory
0054	Message release number	M an..3	M an..3	99B Release 1999 - B
0051	Controlling agency, coded	M an..3	M an..3	UN UN/CEFACT

Remark:

Example:

UNH+89+ORDRSP:D:99B:UN'

No = Consecutive segment number
 MaxOcc = Maximum occurrence of the segment/group
 Counter = Counter of segment/group within the standard

St = Status
 EDIFACT: M=Mandatory, C=Conditional
 User specific: R=Required, O=Optional, D=Dependent,
 A=Advised, N=Not used

Segments

Counter	No	Tag	St	MaxOcc	Level	Name
0020	4	BGM	M	1	0	Beginning of message

Standard			Implementation	
Tag	Name	St Format	St Format	Usage / Remark
BGM				
C002	Document/message name	C	C	231 Purchase order response PURCHASE ORDER RESPONSE
1001	Document name code	C an..3	C an..3	
1000	Document name	C an..35	C an..35	
C106	Document/message identification	C	C	
1004	Document/message number	C an..35	C an..35	
1225	Message function code	C an..3	C an..3	9 Original 4 Change

Remark:

Example:

BGM+231:::PURCHASE ORDER RESPONSE+45001234+9'

No = Consecutive segment number
MaxOcc = Maximum occurrence of the segment/group
Counter = Counter of segment/group within the standard

St = Status
EDIFACT: M=Mandatory, C=Conditional
User specific: R=Required, O=Optional, D=Dependent,
A=Advised, N=Not used

Segments

Counter	No	Tag	St	MaxOcc	Level	Name
0030	5	DTM	M	35	1	Date/time/period

Standard			Implementation	
Tag	Name	St Format	St Format	Usage / Remark
DTM				
C507	Date/time/period	M	M	
2005	Date/time/period function code qualifier	M an..3	M an..3	137 Document/message date/time
2380	Date/time/period value	C an..35	C an..35	
2379	Date/time/period format code	C an..3	C an..3	102 CCYYMMDD

Remark:

Example:

DTM+137:20101201:102'

No = Consecutive segment number
 MaxOcc = Maximum occurrence of the segment/group
 Counter = Counter of segment/group within the standard

St = Status
 EDIFACT: M=Mandatory, C=Conditional
 User specific: R=Required, O=Optional, D=Dependent,
 A=Advised, N=Not used

Segments

Counter	No	Tag	St	MaxOcc	Level	Name
0030	6	DTM	M	35	1	Date/time/period

Standard			Implementation	
Tag	Name	St Format	St Format	Usage / Remark
DTM				
C507	Date/time/period	M	M	10 Shipment date/time, requested
2005	Date/time/period function code qualifier	M an..3	M an..3	
2380	Date/time/period value	C an..35	C an..35	102 CCYMMDD
2379	Date/time/period format code	C an..3	C an..3	

Remark:

This segment describes the requested shipping date from the customer purchase order. Shipment date means when goods leave the supplier warehouse.
 This segment only occurs on head level if the information is the same for all line items. If they are different please refer to DTM in SG 26.

Example:

DTM+10:20101205:102'

No = Consecutive segment number
 MaxOcc = Maximum occurrence of the segment/group
 Counter = Counter of segment/group within the standard

St = Status
 EDIFACT: M=Mandatory, C=Conditional
 User specific: R=Required, O=Optional, D=Dependent,
 A=Advised, N=Not used

Segments

Counter	No	Tag	St	MaxOcc	Level	Name
0030	7	DTM	M	35	1	Date/time/period

Standard			Implementation	
Tag	Name	St Format	St Format	Usage / Remark
DTM				
C507	Date/time/period	M	M	
2005	Date/time/period function code qualifier	M an..3	M an..3	79 Shipment date/time, promised for Date when supplier plans to ship the goods
2380	Date/time/period value	C an..35	C an..35	
2379	Date/time/period format code	C an..3	C an..3	102 CCYMMDD

Remark:

Example:

DTM+79:20101205:102'

No = Consecutive segment number
 MaxOcc = Maximum occurrence of the segment/group
 Counter = Counter of segment/group within the standard

St = Status
 EDIFACT: M=Mandatory, C=Conditional
 User specific: R=Required, O=Optional, D=Dependent,
 A=Advised, N=Not used

Segments

Counter	No	Tag	St	MaxOcc	Level	Name
0070	8	FTX	C	99	1	Free text

Standard			Implementation	
Tag	Name	St Format	St Format	Usage / Remark
FTX				
4451	Text subject code qualifier	M an..3	M an..3	AAA Goods description
C108	Text literal	C	C	
4440	Free text value	M an..512	M an..512	

Remark:

Example:

FTX+AAA+++It is always a pleasure to be your supplier.'

No = Consecutive segment number
 MaxOcc = Maximum occurrence of the segment/group
 Counter = Counter of segment/group within the standard

St = Status
 EDIFACT: M=Mandatory, C=Conditional
 User specific: R=Required, O=Optional, D=Dependent,
 A=Advised, N=Not used

Segments

Counter	No	Tag	St	MaxOcc	Level	Name
0070	9	FTX	C	99	1	Free text

Standard			Implementation	
Tag	Name	St Format	St Format	Usage / Remark
FTX				
4451	Text subject code qualifier	M an..3	M an..3	DEL Delivery information
C108	Text literal	C	C	
4440	Free text value	M an..512	M an..512	

Remark:

Example:

FTX+DEL+++We have shipped these products together with your previous order as requested.'

No = Consecutive segment number
 MaxOcc = Maximum occurrence of the segment/group
 Counter = Counter of segment/group within the standard

St = Status
 EDIFACT: M=Mandatory, C=Conditional
 User specific: R=Required, O=Optional, D=Dependent,
 A=Advised, N=Not used

Segments

Counter	No	Tag	St	MaxOcc	Level	Name
	0150	SG3	C	99	1	NAD-LOC-FII-SG4-SG5_SG6 BY
	0160	NAD	M	1	1	Name and address

Standard			Implementation	
Tag	Name	St Format	St Format	Usage / Remark
NAD				
3035	Party function code qualifier	M an..3	M an..3	BY Buyer
C082	Party identification details	C	C	91 Assigned by seller or seller's agent
3039	Party identifier	M an..35	M an..35	
3055	Code list responsible agency code	C an..3	C an..3	
C080	Party name	C	C	
3036	Party name	M an..35	M an..35	
3036	Party name	C an..35	C an..35	
C059	Street	C	C	
3042	Street and number/p.o. box	M an..35	M an..35	
3164	City name	C an..35	C an..35	
3251	Postal identification code	C an..17	C an..17	
3207	Country name code	C an..3	C an..3	

Remark:

Example:

NAD+BY+1234567::91++Andreas Stihl AG & CO. KG:Plant 1+Badstraße 115+Waiblingen++71336+DE'

No = Consecutive segment number
 MaxOcc = Maximum occurrence of the segment/group
 Counter = Counter of segment/group within the standard

St = Status
 EDIFACT: M=Mandatory, C=Conditional
 User specific: R=Required, O=Optional, D=Dependent,
 A=Advised, N=Not used

Segments

Counter	No	Tag	St	MaxOcc	Level	Name	
	0250	SG6	C	5	2	CTA-COM	
	0260	11	CTA	M	1	2	Contact information

		Standard	Implementation		
Tag	Name	St Format	St Format	Usage / Remark	
CTA					
3139	Contact function code	C an..3	C an..3	PD Purchasing contact	
C056	Department or employee details	C	C		
3412	Department or employee	C an..35	C an..35		

Remark:

Example:

CTA+PD+:Yvonne Hauber'

No = Consecutive segment number
 MaxOcc = Maximum occurrence of the segment/group
 Counter = Counter of segment/group within the standard

St = Status
 EDIFACT: M=Mandatory, C=Conditional
 User specific: R=Required, O=Optional, D=Dependent,
 A=Advised, N=Not used

Segments

Counter	No	Tag	St	MaxOcc	Level	Name
	0250	SG6	C	5	2	CTA-COM
	0270	12 COM	C	5	3	Communication contact

		Standard	Implementation	
Tag	Name	St Format	St Format	Usage / Remark
COM				
C076	Communication contact	M	M	
3148	Communication number	M an..512	M an..512	
3155	Communication number code qualifier	M an..3	M an..3	EM Electronic mail FX Telefax TE Telephone

Remark:

Example:

COM+07151-26-2222:TE'

No = Consecutive segment number
 MaxOcc = Maximum occurrence of the segment/group
 Counter = Counter of segment/group within the standard

St = Status
 EDIFACT: M=Mandatory, C=Conditional
 User specific: R=Required, O=Optional, D=Dependent,
 A=Advised, N=Not used

Segments

Counter	No	Tag	St	MaxOcc	Level	Name
	0150	SG3	C	99	1	NAD-LOC-FII-SG4-SG5_SG6 CN
	0160	NAD	M	1	1	Name and address

		Standard	Implementation	
Tag	Name	St Format	St Format	Usage / Remark
NAD				
3035	Party function code qualifier	M an..3	M an..3	CN Consignee
C082	Party identification details	C	C	91 Assigned by seller or seller's agent
3039	Party identifier	M an..35	M an..35	
3055	Code list responsible agency code	C an..3	C an..3	
C080	Party name	C	C	
3036	Party name	M an..35	M an..35	
3036	Party name	C an..35	C an..35	
C059	Street	C	C	
3042	Street and number/p.o. box	M an..35	M an..35	
3164	City name	C an..35	C an..35	
3251	Postal identification code	C an..17	C an..17	
3207	Country name code	C an..3	C an..3	

Remark:

The CN qualifier describes the person/company who logically receives the goods. The actual unloading point is carried in the DP segment. Frequently these addresses are the same. If logical (CN) and physical (DP) receiver are the same the DP segment is omitted.

Example: The logical receiving party (CN) is company Imp&Ex Inc. in Main Street. But this specific shipment has to be delivered to their external warehouse (DP) in Silent Lane.

This segment (CN) only occurs on head level if the ship-to address is the same for all line items. If they are different please refer to NAD in SG 37.

Example:

NAD+CN+1234567::91++Andreas Stihl AG & CO. KG:Plant 1+Badstraße 115+Waiblingen++71336+DE'

No = Consecutive segment number
 MaxOcc = Maximum occurrence of the segment/group
 Counter = Counter of segment/group within the standard

St = Status
 EDIFACT: M=Mandatory, C=Conditional
 User specific: R=Required, O=Optional, D=Dependent,
 A=Advised, N=Not used

Segments

Counter	No	Tag	St	MaxOcc	Level	Name	
	0250	SG6	C	5	2	CTA-COM	
	0260	14	CTA	M	1	2	Contact information

		Standard	Implementation	
Tag	Name	St Format	St Format	Usage / Remark
CTA				
3139	Contact function code	C an..3	C an..3	CN Consignee
C056	Department or employee details	C	C	
3412	Department or employee	C an..35	C an..35	

Remark:

Example:

CTA+CN+:Consignee contact'

No = Consecutive segment number
 MaxOcc = Maximum occurrence of the segment/group
 Counter = Counter of segment/group within the standard

St = Status
 EDIFACT: M=Mandatory, C=Conditional
 User specific: R=Required, O=Optional, D=Dependent,
 A=Advised, N=Not used

Segments

Counter	No	Tag	St	MaxOcc	Level	Name
	0250	SG6	C	5	2	CTA-COM
	0270	15 COM	C	5	3	Communication contact

		Standard	Implementation		
Tag	Name	St Format	St Format	Usage / Remark	
COM					
C076	Communication contact	M	M		
3148	Communication number	M an..512	M an..512		
3155	Communication number code qualifier	M an..3	M an..3	EM Electronic mail FX Telefax TE Telephone	

Remark:

Example:

COM+01234-245-1134:TE'

No = Consecutive segment number
 MaxOcc = Maximum occurrence of the segment/group
 Counter = Counter of segment/group within the standard

St = Status
 EDIFACT: M=Mandatory, C=Conditional
 User specific: R=Required, O=Optional, D=Dependent,
 A=Advised, N=Not used

Segments

Counter	No	Tag	St	MaxOcc	Level	Name
	0150	SG3	C	99	1	NAD-LOC-FII-SG4-SG5_SG6 DP
	0160	NAD	M	1	1	Name and address

Standard			Implementation	
Tag	Name	St Format	St Format	Usage / Remark
NAD				
3035	Party function code qualifier	M an..3	M an..3	DP Delivery party
C082	Party identification details	C	C	91 Assigned by seller or seller's agent
3039	Party identifier	M an..35	M an..35	
3055	Code list responsible agency code	C an..3	C an..3	
C080	Party name	C	C	
3036	Party name	M an..35	M an..35	
3036	Party name	C an..35	C an..35	
C059	Street	C	C	
3042	Street and number/p.o. box	M an..35	M an..35	
3164	City name	C an..35	C an..35	
3251	Postal identification code	C an..17	C an..17	
3207	Country name code	C an..3	C an..3	

Remark:

The DP segment provides the necessary information if the physical unloading point differs from the consignee's (CN) address. This segment (DP) only occurs on head level if the ship-to address is the same for all line items. If they are different please refer to NAD in SG 37.

Example:

NAD+DP+987654321::91++Andreas Stihl AG & CO. KG:Plant 1+Badstraße 115+Waiblingen++71336+DE'

No = Consecutive segment number
 MaxOcc = Maximum occurrence of the segment/group
 Counter = Counter of segment/group within the standard

St = Status
 EDIFACT: M=Mandatory, C=Conditional
 User specific: R=Required, O=Optional, D=Dependent,
 A=Advised, N=Not used

Segments

Counter	No	Tag	St	MaxOcc	Level	Name
0250		SG6	C	5	2	CTA-COM
0260	17	CTA	M	1	2	Contact information

Standard			Implementation	
Tag	Name	St Format	St Format	Usage / Remark
CTA				
3139	Contact function code	C an..3	C an..3	GR Goods receiving contact
C056	Department or employee details	C	C	
3412	Department or employee	C an..35	C an..35	

Remark:

Example:

CTA+GR+:Goods receving contact person'

No = Consecutive segment number
 MaxOcc = Maximum occurrence of the segment/group
 Counter = Counter of segment/group within the standard

St = Status
 EDIFACT: M=Mandatory, C=Conditional
 User specific: R=Required, O=Optional, D=Dependent,
 A=Advised, N=Not used

Segments

Counter	No	Tag	St	MaxOcc	Level	Name	
	0250	SG6	C	5	2	CTA-COM	
	0270	18	COM	C	5	3	Communication contact

		Standard	Implementation		
Tag	Name	St Format	St Format	Usage / Remark	
COM					
C076	Communication contact	M	M		
3148	Communication number	M an..512	M an..512		
3155	Communication number code qualifier	M an..3	M an..3	EM Electronic mail FX Telefax TE Telephone	

Remark:

Example:

COM+01234-245-1134:TE'

No = Consecutive segment number
 MaxOcc = Maximum occurrence of the segment/group
 Counter = Counter of segment/group within the standard

St = Status
 EDIFACT: M=Mandatory, C=Conditional
 User specific: R=Required, O=Optional, D=Dependent,
 A=Advised, N=Not used

Segments

Counter	No	Tag	St	MaxOcc	Level	Name
	0150	SG3	C	99	1	NAD-LOC-FII-SG4-SG5_SG6 SU
	0160	NAD	M	1	1	Name and address

Standard			Implementation	
Tag	Name	St Format	St Format	Usage / Remark
NAD				
3035	Party function code qualifier	M an..3	M an..3	SU Supplier
C082	Party identification details	C	C	92 Assigned by buyer or buyer's agent
3039	Party identifier	M an..35	M an..35	
3055	Code list responsible agency code	C an..3	C an..3	
C080	Party name	C	C	
3036	Party name	M an..35	M an..35	
C059	Street	C	C	
3042	Street and number/p.o. box	M an..35	M an..35	
3164	City name	C an..35	C an..35	
3251	Postal identification code	C an..17	C an..17	
3207	Country name code	C an..3	C an..3	

Remark:

Example:

NAD+SU+987654321::92++My Supplier Inc.+Anywhere Road 815+Suppcity++71336+NL'

No = Consecutive segment number
 MaxOcc = Maximum occurrence of the segment/group
 Counter = Counter of segment/group within the standard

St = Status
 EDIFACT: M=Mandatory, C=Conditional
 User specific: R=Required, O=Optional, D=Dependent,
 A=Advised, N=Not used

Segments

Counter	No	Tag	St	MaxOcc	Level	Name	
	0250	SG6	C	5	2	CTA-COM	
	0260	20	CTA	M	1	2	Contact information

		Standard	Implementation	
Tag	Name	St Format	St Format	Usage / Remark
CTA				
3139	Contact function code	C an..3	C an..3	SU Supplier contact
C056	Department or employee details	C	C	
3412	Department or employee	C an..35	C an..35	

Remark:

Example:

CTA+SU+:Supplier contact person'

No = Consecutive segment number
 MaxOcc = Maximum occurrence of the segment/group
 Counter = Counter of segment/group within the standard

St = Status
 EDIFACT: M=Mandatory, C=Conditional
 User specific: R=Required, O=Optional, D=Dependent,
 A=Advised, N=Not used

Segments

Counter	No	Tag	St	MaxOcc	Level	Name	
	0250	SG6	C	5	2	CTA-COM	
	0270	21	COM	C	5	3	Communication contact

		Standard	Implementation		
Tag	Name	St Format	St Format	Usage / Remark	
COM					
C076	Communication contact	M	M		
3148	Communication number	M an..512	M an..512		
3155	Communication number code qualifier	M an..3	M an..3	EM Electronic mail FX Telefax TE Telephone	

Remark:

Example:

COM+01234-245-1134:TE'

No = Consecutive segment number
 MaxOcc = Maximum occurrence of the segment/group
 Counter = Counter of segment/group within the standard

St = Status
 EDIFACT: M=Mandatory, C=Conditional
 User specific: R=Required, O=Optional, D=Dependent,
 A=Advised, N=Not used

Segments

Counter	No	Tag	St	MaxOcc	Level	Name
	0320	SG8	C	5	1	CUX
	0330	CUX	M	1	1	Currencies

Standard			Implementation	
Tag	Name	St Format	St Format	Usage / Remark
CUX				
C504	Currency details	C	C	
6347	Currency details qualifier	M an..3	M an..3	2 Reference currency
6345	Currency identification code	C an..3	C an..3	EUR Euro
				USD US Dollar
				CHF Swiss Franc
6343	Currency qualifier	C an..3	C an..3	9 Order currency

Remark:

Example:

CUX+2 : EUR : 9 '

No = Consecutive segment number
 MaxOcc = Maximum occurrence of the segment/group
 Counter = Counter of segment/group within the standard

St = Status
 EDIFACT: M=Mandatory, C=Conditional
 User specific: R=Required, O=Optional, D=Dependent,
 A=Advised, N=Not used

Segments

Counter	No	Tag	St	MaxOcc	Level	Name	
	0410	SG10	C	10	1	TDT	
	0420	23	TDT	M	1	1	Details of transport

Standard			Implementation	
Tag	Name	St Format	St Format	Usage / Remark
TDT				
8051	Transport stage code qualifier	M an..3	M an..3	20 Main-carriage transport
C220	Mode of transport	C	C	
8067	Transport mode name code	C an..3	C an..3	1 Maritime transport 2 Rail transport 21 Rail express 3 Road transport 4 Air transport 41 Air mail / express 5 Mail 50 Parcel service 51 Parcel service express
C228	Transport means	C	C	
8179	Transport means description code	C an..8	C an..8	

Remark:

Example:

TDT+20++1+6'

No = Consecutive segment number
 MaxOcc = Maximum occurrence of the segment/group
 Counter = Counter of segment/group within the standard

St = Status
 EDIFACT: M=Mandatory, C=Conditional
 User specific: R=Required, O=Optional, D=Dependent,
 A=Advised, N=Not used

Segments

Counter	No	Tag	St	MaxOcc	Level	Name
0460		SG12	C	5	1	TOD
0470	24	TOD	M	1	1	Terms of delivery or transport

		Standard	Implementation	
Tag	Name	St Format	St Format	Usage / Remark
TOD				
4055	Terms of delivery or transport function, coded	C an..3	C an..3	6 Delivery condition
C100	Terms of delivery or transport	C	C	
4053	Delivery or transport terms description code	C an..3	C an..3	
4052	Delivery or transport terms description	C an..70	C an..70	
4052	Delivery or transport terms description	C an..70	C an..70	

Remark:

Example:

TOD+6++CIP:::incl. packaging:Incoterms 2000'

No = Consecutive segment number
 MaxOcc = Maximum occurrence of the segment/group
 Counter = Counter of segment/group within the standard

St = Status
 EDIFACT: M=Mandatory, C=Conditional
 User specific: R=Required, O=Optional, D=Dependent,
 A=Advised, N=Not used

Segments

Counter	No	Tag	St	MaxOcc	Level	Name
	0970	SG26	C	200000	1	LIN-PIA-IMD-QTY-DTM-MOA-FTX-SG30-SG31-SG37-SG51
	0980	LIN	M	1	1	Line item

Standard			Implementation	
Tag	Name	St Format	St Format	Usage / Remark
LIN				
1082	Line item number	C an..6	C an..6	Line item number of order confirmation. This number may but doesn't need to match with line item number of the underlying order.
1229	Action request/notification description code	C an..3	C an..3	<p>3 Changed 5 Accepted without amendment 10 Not found 37 Cancelled 38 Replaced</p> <p>Qualifier 3 is used if the ordered quantity has been changed by the supplier. In this case more information about the changes can be obtained from the QTY segments: QTY+83 indicates that the line item has been changed due to low availability of goods. QTY+53 indicates that the line item has been changed due to the order being below the minimum order quantity. Qualifier 5 is used if the line item does not deviate from the ordered line item. Qualifier 10 is used if the ordered item number does not exist and has never been existing before. Qualifier 37 is used if the ordered item number is valid but the item is not sold any more and there is no successor item available. Qualifier 38 is used if the ordered item number is valid but the item is not sold any more and there is a successor item available. PIA+6 provides information about the successor product id.</p>
C212	Item number identification	C	C	
7140	Item number	C an..35	C an..35	
7143	Item type identification code	C an..3	C an..3	SA Supplier's article number

Remark:

Example:

LIN+1+5+3RP1505-1BP30:SA'

No = Consecutive segment number
 MaxOcc = Maximum occurrence of the segment/group
 Counter = Counter of segment/group within the standard

St = Status
 EDIFACT: M=Mandatory, C=Conditional
 User specific: R=Required, O=Optional, D=Dependent,
 A=Advised, N=Not used

Segments

Counter	No	Tag	St	MaxOcc	Level	Name
	0970	SG26	C	200000	1	LIN-PIA-IMD-QTY-DTM-MOA-FTX-SG30-SG31-SG37-SG51
	0990	PIA	C	25	2	Additional product id

		Standard	Implementation		
Tag	Name	St Format	St Format	Usage / Remark	
PIA					
4347	Product id. function qualifier	M an..3	M an..3	1 Additional identification	
				6 Successor product id	
C212	Item number identification	M	M		
7140	Item number	C an..35	C an..35		
7143	Item type identification code	C an..3	C an..3	IN Buyer's item number	

Remark:

If DE 1229 of LIN has a value of 38 then an additional PIA+6 segment needs to occur (see description in LIN segment).
PIA+1 is mandatory and has to occur in any case.

Example:

PIA+1+47740124405:IN'

No = Consecutive segment number
MaxOcc = Maximum occurrence of the segment/group
Counter = Counter of segment/group within the standard

St = Status
EDIFACT: M=Mandatory, C=Conditional
User specific: R=Required, O=Optional, D=Dependent,
A=Advised, N=Not used

Segments

Counter	No	Tag	St	MaxOcc	Level	Name
0970		SG26	C	200000	1	LIN-PIA-IMD-QTY-DTM-MOA-FTX-SG30-SG31-SG37-SG51
1000	27	IMD	C	99	2	Item description

Standard			Implementation	
Tag	Name	St Format	St Format	Usage / Remark
IMD				
7077	Item description type, coded	C an..3	C an..3	A Free-form long description
C273	Item description	C	C	
3055	Code list responsible agency code	C an..3	C an..3	91 Assigned by seller or seller's agent 92 Assigned by buyer or buyer's agent
7008	Item description	C an..256	C an..256	
3453	Language name code	C an..3	C an..3	DE German EN English PT Portuguese

Remark:

Example:

IMD+A++:::92:SE 122 E Sauger:::DE'

No = Consecutive segment number
MaxOcc = Maximum occurrence of the segment/group
Counter = Counter of segment/group within the standard

St = Status
EDIFACT: M=Mandatory, C=Conditional
User specific: R=Required, O=Optional, D=Dependent,
A=Advised, N=Not used

Segments

Counter	No	Tag	St	MaxOcc	Level	Name
	0970	SG26	C	200000	1	LIN-PIA-IMD-QTY-DTM-MOA-FTX-SG30-SG31-SG37-SG51
	1020	QTY	C	99	2	Quantity

Standard			Implementation	
Tag	Name	St Format	St Format	Usage / Remark
QTY				
C186	Quantity details	M	M	
6063	Quantity type code qualifier	M an..3	M an..3	12 Despatch quantity 21 Ordered quantity 53 Minimum order quantity 83 Backorder quantity 70 Cumulative quantity received QTY+12 is mandatory QTY+21 is mandatory QTY+83 occurs additionally if the item was low in stock. In this case SG51 has to provide more information about the remaining quantity. QTY+53 occurs if DE1229 of LIN has a value of 3 and the line item was ordered below the minimum order quantity.
6060	Quantity	M an..35	M an..35	
6411	Measurement unit code	C an..3	C an..3	EA each

Remark:

Example:

QTY+12:15:EA'

No = Consecutive segment number
 MaxOcc = Maximum occurrence of the segment/group
 Counter = Counter of segment/group within the standard

St = Status
 EDIFACT: M=Mandatory, C=Conditional
 User specific: R=Required, O=Optional, D=Dependent,
 A=Advised, N=Not used

Segments

Counter	No	Tag	St	MaxOcc	Level	Name
	0970	SG26	C	200000	1	LIN-PIA-IMD-QTY-DTM-MOA-FTX-SG30-SG31-SG37-SG51
	1050	DTM	C	35	2	Date/time/period

		Standard	Implementation		
Tag	Name	St Format	St Format	Usage / Remark	
DTM					
C507	Date/time/period	M	M		
2005	Date/time/period function code qualifier	M an..3	M an..3	10 Shipment date/time, requested	
2380	Date/time/period value	C an..35	C an..35		
2379	Date/time/period format code	C an..3	C an..3	102 CCYYMMDD	

Remark:

This segment describes the requested shipping date from the customer purchase order. Shipment date means when goods leave the supplier warehouse.

This segment only occurs on line item level if the date is not the same for all line items. If they are all the same please refer to DTM+10 on head level.

Example:

DTM+10:20101205:102'

No = Consecutive segment number
 MaxOcc = Maximum occurrence of the segment/group
 Counter = Counter of segment/group within the standard

St = Status
 EDIFACT: M=Mandatory, C=Conditional
 User specific: R=Required, O=Optional, D=Dependent,
 A=Advised, N=Not used

Segments

Counter	No	Tag	St	MaxOcc	Level	Name
	0970	SG26	C	200000	1	LIN-PIA-IMD-QTY-DTM-MOA-FTX-SG30-SG31-SG37-SG51
	1060	MOA	C	10	2	Monetary amount

		Standard	Implementation	
Tag	Name	St Format	St Format	Usage / Remark
MOA				
C516	Monetary amount	M	M	
5025	Monetary amount type code qualifier	M an..3	M an..3	203 Line item amount
5004	Monetary amount value	C n..35	C n..35	

Remark:

This segment provides information about the value for the line item. All charges/allowances are already considered in this value.

Example:

MOA+203:142.95'

No = Consecutive segment number
 MaxOcc = Maximum occurrence of the segment/group
 Counter = Counter of segment/group within the standard

St = Status
 EDIFACT: M=Mandatory, C=Conditional
 User specific: R=Required, O=Optional, D=Dependent,
 A=Advised, N=Not used

Segments

Counter	No	Tag	St	MaxOcc	Level	Name
0970		SG26	C	200000	1	LIN-PIA-IMD-QTY-DTM-MOA-FTX-SG30-SG31-SG37-SG51
1130	31	FTX	C	99	2	Free text

		Standard	Implementation		
Tag	Name	St Format	St Format	Usage / Remark	
FTX					
4451	Text subject code qualifier	M an..3	M an..3	DEL Delivery information AAI General information	
C108	Text literal	C	C		
4440	Free text value	M an..512	M an..512		
3453	Language name code	C an..3	C an..3	DE German EN English PT Portuguese	

Remark:

Example:

FTX+DEL+++Goods are shipped in a pink box as requested+DE'

No = Consecutive segment number
MaxOcc = Maximum occurrence of the segment/group
Counter = Counter of segment/group within the standard

St = Status
EDIFACT: M=Mandatory, C=Conditional
User specific: R=Required, O=Optional, D=Dependent,
A=Advised, N=Not used

Segments

Counter	No	Tag	St	MaxOcc	Level	Name	
	1260	SG30	C	25	2	PRI	
	1270	32	PRI	M	1	2	Price details

		Standard	Implementation		
Tag	Name	St Format	St Format	Usage / Remark	
PRI					
C509	Price information	C	C	AAA Calculation net Typical values here are 1, 10, 100, 1000 etc. It means that the price in DE 5118 is per 1, 10, pieces. EA each	
5125	Price qualifier	M an..3	M an..3		
5118	Price	C n..15	C n..15		
5284	Unit price basis	C n..9	R n..9		
6411	Measurement unit code	C an..3	C an..3		

Remark:

This segment provides information about the net price per price unit. The line item total can be seen from the MOA segment above.

Example:

PRI+AAA:9.53:::1:EA'

No = Consecutive segment number
 MaxOcc = Maximum occurrence of the segment/group
 Counter = Counter of segment/group within the standard

St = Status
 EDIFACT: M=Mandatory, C=Conditional
 User specific: R=Required, O=Optional, D=Dependent,
 A=Advised, N=Not used

Segments

Counter	No	Tag	St	MaxOcc	Level	Name
	1320	SG31	C	9999	2	RFF-DTM
	1330	RFF	M	1	2	Reference

Standard			Implementation	
Tag	Name	St Format	St Format	Usage / Remark
RFF				
C506	Reference	M	M	ON Order number (purchase) VN Order number (vendor) ON describes the purchase order number of the customer. VN describes the sales order number of the supplier. Both segments are mandatory.
1153	Reference function code qualifier	M an..3	M an..3	
1154	Reference identifier	C an..35	C an..35	
1156	Line number	C an..6	C an..6	

Remark:

Example:

RFF+ON:4500012345:5'

No = Consecutive segment number
 MaxOcc = Maximum occurrence of the segment/group
 Counter = Counter of segment/group within the standard

St = Status
 EDIFACT: M=Mandatory, C=Conditional
 User specific: R=Required, O=Optional, D=Dependent,
 A=Advised, N=Not used

Segments

Counter	No	Tag	St	MaxOcc	Level	Name
	1320	SG31	C	9999	2	RFF-DTM
	1340	DTM	C	5	3	Date/time/period

Standard			Implementation	
Tag	Name	St Format	St Format	Usage / Remark
DTM				
C507	Date/time/period	M	M	
2005	Date/time/period function code qualifier	M an..3	M an..3	137 Document/message date/time
2380	Date/time/period value	C an..35	C an..35	
2379	Date/time/period format code	C an..3	C an..3	102 CCYYMMDD

Remark:

Example:

DTM+137:20110106:102'

No = Consecutive segment number
 MaxOcc = Maximum occurrence of the segment/group
 Counter = Counter of segment/group within the standard

St = Status
 EDIFACT: M=Mandatory, C=Conditional
 User specific: R=Required, O=Optional, D=Dependent,
 A=Advised, N=Not used

Segments

Counter	No	Tag	St	MaxOcc	Level	Name
	1570	SG37	C	999	2	NAD-LOC-FII-SG38-SG39-SG40 CN
	1580	NAD	M	1	2	Name and address

		Standard	Implementation	
Tag	Name	St Format	St Format	Usage / Remark
NAD				
3035	Party function code qualifier	M an..3	M an..3	CN Consignee
C080	Party name	C	C	
3036	Party name	M an..35	M an..35	
C059	Street	C	C	
3042	Street and number/p.o. box	M an..35	M an..35	
3164	City name	C an..35	C an..35	
3251	Postal identification code	C an..17	C an..17	
3207	Country name code	C an..3	C an..3	

Remark:

The CN qualifier describes the person/company who logically receives the goods. The actual unloading point is carried in the DP segment. Frequently these addresses are the same. If logical (CN) and physical (DP) receiver are the same the DP segment is omitted.

Example: The logical receiving party (CN) is company Imp&Ex Inc. in Main Street. But this specific shipment has to be delivered to their external warehouse (DP) in Silent Lane.

This segment (CN) only occurs on line item level if the consignee address is not the same for all line items. If it is the same it occurs on head level in SG 3.

Example:

NAD+CN+++Andreas Stihl AG & CO. KG+Badstraße 115+Waiblingen++71336+DE'

No = Consecutive segment number
 MaxOcc = Maximum occurrence of the segment/group
 Counter = Counter of segment/group within the standard

St = Status
 EDIFACT: M=Mandatory, C=Conditional
 User specific: R=Required, O=Optional, D=Dependent,
 A=Advised, N=Not used

Segments

Counter	No	Tag	St	MaxOcc	Level	Name
	1670	SG40	C	5	3	CTA-COM
	1680 36	CTA	M	1	3	Contact information

		Standard	Implementation	
Tag	Name	St Format	St Format	Usage / Remark
CTA				
3139	Contact function code	C an..3	C an..3	CN Consignee
C056	Department or employee details	C	C	
3412	Department or employee	C an..35	C an..35	

Remark:

Example:

CTA+CN+:Consignee contact'

No = Consecutive segment number
 MaxOcc = Maximum occurrence of the segment/group
 Counter = Counter of segment/group within the standard

St = Status
 EDIFACT: M=Mandatory, C=Conditional
 User specific: R=Required, O=Optional, D=Dependent,
 A=Advised, N=Not used

Segments

Counter	No	Tag	St	MaxOcc	Level	Name
	1670	SG40	C	5	3	CTA-COM
	1690 37	COM	C	5	4	Communication contact

		Standard	Implementation		
Tag	Name	St Format	St Format	Usage / Remark	
COM					
C076	Communication contact	M	M		
3148	Communication number	M an..512	M an..512		
3155	Communication number code qualifier	M an..3	M an..3	FX Telefax TE Telephone EM Electronic mail	

Remark:

Example:

COM+01234-245-1134:TE'

No = Consecutive segment number
 MaxOcc = Maximum occurrence of the segment/group
 Counter = Counter of segment/group within the standard

St = Status
 EDIFACT: M=Mandatory, C=Conditional
 User specific: R=Required, O=Optional, D=Dependent,
 A=Advised, N=Not used

Segments

Counter	No	Tag	St	MaxOcc	Level	Name
	1570	SG37	C	999	2	NAD-LOC-FII-SG38-SG39-SG40 DP
	1580	NAD	M	1	2	Name and address

		Standard	Implementation	
Tag	Name	St Format	St Format	Usage / Remark
NAD				
3035	Party function code qualifier	M an..3	M an..3	DP Delivery party
C080	Party name	C	C	
3036	Party name	M an..35	M an..35	
C059	Street	C	C	
3042	Street and number/p.o. box	M an..35	M an..35	
3164	City name	C an..35	C an..35	
3251	Postal identification code	C an..17	C an..17	
3207	Country name code	C an..3	C an..3	

Remark:

The DP segment provides the necessary information if the physical unloading point differs from the consignee's (CN) address. This segment (DP) only occurs on line item level if the DP address is not the same for all line items. If it is the same it occurs on head level in SG 3.

Example:

NAD+DP+++Andreas Stihl AG & CO. KG+Badstraße 115+Waiblingen++71336+DE'

No = Consecutive segment number
 MaxOcc = Maximum occurrence of the segment/group
 Counter = Counter of segment/group within the standard

St = Status
 EDIFACT: M=Mandatory, C=Conditional
 User specific: R=Required, O=Optional, D=Dependent,
 A=Advised, N=Not used

Segments

Counter	No	Tag	St	MaxOcc	Level	Name
	1670	SG40	C	5	3	CTA-COM
	1680 39	CTA	M	1	3	Contact information

		Standard	Implementation	
Tag	Name	St Format	St Format	Usage / Remark
CTA				
3139	Contact function code	C an..3	C an..3	GR Goods receiving contact
C056	Department or employee details	C	C	
3412	Department or employee	C an..35	C an..35	

Remark:

Example:

CTA+GR+:Goods receving contact person'

No = Consecutive segment number
 MaxOcc = Maximum occurrence of the segment/group
 Counter = Counter of segment/group within the standard

St = Status
 EDIFACT: M=Mandatory, C=Conditional
 User specific: R=Required, O=Optional, D=Dependent,
 A=Advised, N=Not used

Segments

Counter	No	Tag	St	MaxOcc	Level	Name
	1670	SG40	C	5	3	CTA-COM
	1690 40	COM	C	5	4	Communication contact

		Standard	Implementation		
Tag	Name	St Format	St Format	Usage / Remark	
COM					
C076	Communication contact	M	M		
3148	Communication number	M an..512	M an..512		
3155	Communication number code qualifier	M an..3	M an..3	FX Telefax TE Telephone EM Electronic mail	

Remark:

Example:

COM+01234-245-1134:TE'

No = Consecutive segment number
 MaxOcc = Maximum occurrence of the segment/group
 Counter = Counter of segment/group within the standard

St = Status
 EDIFACT: M=Mandatory, C=Conditional
 User specific: R=Required, O=Optional, D=Dependent,
 A=Advised, N=Not used

Segments

Counter	No	Tag	St	MaxOcc	Level	Name
	2020	SG51	C	100	2	SCC-SG52
	2030 41	SCC	M	1	2	Scheduling conditions

Standard			Implementation	
Tag	Name	St Format	St Format	Usage / Remark
SCC				
4017	Delivery plan commitment level code	M an..3	M an..3	1 Firm

Remark:

If the line item quantity has to be split into several delivery dates SG52 carries the corresponding shipment dates. The sum of all SG52 quantities has to correspond with the value in SG26.

If the ordered quantity of this line item is fully shipped SG51 may be filled with one iteration.

Example:

SCC+1'

No = Consecutive segment number
 MaxOcc = Maximum occurrence of the segment/group
 Counter = Counter of segment/group within the standard

St = Status
 EDIFACT: M=Mandatory, C=Conditional
 User specific: R=Required, O=Optional, D=Dependent,
 A=Advised, N=Not used

Segments

Counter	No	Tag	St	MaxOcc	Level	Name
	2060	SG52	C	10	3	QTY-DTM
	2070	QTY	M	1	3	Quantity

Standard			Implementation	
Tag	Name	St Format	St Format	Usage / Remark
QTY				
C186	Quantity details	M	M	1 Discrete quantity
6063	Quantity type code qualifier	M an..3	M an..3	
6060	Quantity	M an..35	M an..35	EA each
6411	Measurement unit code	C an..3	C an..3	

Remark:

Example:

QTY+1:15:EA'

No = Consecutive segment number
 MaxOcc = Maximum occurrence of the segment/group
 Counter = Counter of segment/group within the standard

St = Status
 EDIFACT: M=Mandatory, C=Conditional
 User specific: R=Required, O=Optional, D=Dependent,
 A=Advised, N=Not used

Segments

Counter	No	Tag	St	MaxOcc	Level	Name	
	2060	SG52	C	10	3	QTY-DTM	
	2080	43	DTM	C	5	4	Date/time/period

		Standard	Implementation	
Tag	Name	St Format	St Format	Usage / Remark
DTM				
C507	Date/time/period	M	M	
2005	Date/time/period function code qualifier	M an..3	M an..3	79 Shipment date/time, promised for
2380	Date/time/period value	C an..35	C an..35	
2379	Date/time/period format code	C an..3	C an..3	102 CCYYMMDD

Remark:

Example:

DTM+79:20101205:102'

No = Consecutive segment number
 MaxOcc = Maximum occurrence of the segment/group
 Counter = Counter of segment/group within the standard

St = Status
 EDIFACT: M=Mandatory, C=Conditional
 User specific: R=Required, O=Optional, D=Dependent,
 A=Advised, N=Not used

Segments

Counter	No	Tag	St	MaxOcc	Level	Name
2190	44	UNS	M	1	0	Section control

Standard			Implementation	
Tag	Name	St Format	St Format	Usage / Remark
UNS				
0081	Section identification	M a1	M a1	S Detail/summary section separation

Remark:

Example:

UNS+S'

No = Consecutive segment number
 MaxOcc = Maximum occurrence of the segment/group
 Counter = Counter of segment/group within the standard

St = Status
 EDIFACT: M=Mandatory, C=Conditional
 User specific: R=Required, O=Optional, D=Dependent,
 A=Advised, N=Not used

Segments

Counter	No	Tag	St	MaxOcc	Level	Name
2210	45	CNT	C	10	1	Control total

Standard			Implementation	
Tag	Name	St Format	St Format	Usage / Remark
CNT				
C270	Control	M	M	2 Number of line items in message
6069	Control total type code qualifier	M an..3	M an..3	
6066	Control value	M n..18	M n..18	

Remark:

Example:

CNT+2 : 2 '

No = Consecutive segment number
 MaxOcc = Maximum occurrence of the segment/group
 Counter = Counter of segment/group within the standard

St = Status
 EDIFACT: M=Mandatory, C=Conditional
 User specific: R=Required, O=Optional, D=Dependent,
 A=Advised, N=Not used

Segments

Counter	No	Tag	St	MaxOcc	Level	Name
2260	46	UNT	M	1	0	Message trailer

Standard			Implementation	
Tag	Name	St Format	St Format	Usage / Remark
UNT				
0074	Number of segments in a message	M n..10	M n..10	
0062	Message reference number	M an..14	M an..14	

Remark:

Example:

UNT+42+89'

No = Consecutive segment number
 MaxOcc = Maximum occurrence of the segment/group
 Counter = Counter of segment/group within the standard

St = Status
 EDIFACT: M=Mandatory, C=Conditional
 User specific: R=Required, O=Optional, D=Dependent,
 A=Advised, N=Not used

Segments

Counter	No	Tag	St	MaxOcc	Level	Name
0000	47	UNZ	M	1	0	Interchange trailer

Standard			Implementation	
Tag	Name	St Format	St Format	Usage / Remark
UNZ				
0036	Interchange control count	M n..6	M n..6	
0020	Interchange control reference	M an..14	M an..14	

Remark:

Example:

UNZ+1+83'

No = Consecutive segment number
 MaxOcc = Maximum occurrence of the segment/group
 Counter = Counter of segment/group within the standard

St = Status
 EDIFACT: M=Mandatory, C=Conditional
 User specific: R=Required, O=Optional, D=Dependent,
 A=Advised, N=Not used

Sample message

No	Tag	Example
01	UNA	UNA:+.?*'
02	UNB	UNB+UNOC:4+SUPPLIER_ID:ZZZ+STIHL_WN:ZZZ+20110106:1243+83'
03	UNH	UNH+89+ORDRSP:D:99B:UN'
04	BGM	BGM+231:::PURCHASE ORDER RESPONSE+45001234+9'
05	DTM	DTM+137:20101201:102'
06	DTM	DTM+10:20101205:102'
07	DTM	DTM+79:20101205:102'
08	FTX	FTX+AAA+++It is always a pleasure to be your supplier.'
09	FTX	FTX+DEL+++We have shipped these products together with your previous order as requested.'
	SG3	
10	NAD	NAD+BY+1234567::91++Andreas Stihl AG & CO. KG:Plant 1+Badstraße 115+Waiblingen++71336+DE'
	SG6	
11	CTA	CTA+PD+:Yvonne Hauber'
12	COM	COM+07151-26-2222:TE'
	SG3	
13	NAD	NAD+CN+1234567::91++Andreas Stihl AG & CO. KG:Plant 1+Badstraße 115+Waiblingen++71336+DE'
	SG6	
14	CTA	CTA+CN+:Consignee contact'
15	COM	COM+01234-245-1134:TE'
	SG3	
16	NAD	NAD+DP+987654321::91++Andreas Stihl AG & CO. KG:Plant 1+Badstraße 115+Waiblingen++71336+DE'
	SG6	
17	CTA	CTA+GR+:Goods receiving contact person'
18	COM	COM+01234-245-1134:TE'
	SG3	
19	NAD	NAD+SU+987654321::92++My Supplier Inc.+Anywhere Road 815+Suppcity++71336+NL'
	SG6	
20	CTA	CTA+SU+:Supplier contact person'
21	COM	COM+01234-245-1134:TE'
	SG8	
22	CUX	CUX+2:EUR:9'
	SG10	
23	TDT	TDT+20++1+6'
	SG12	
24	TOD	TOD+6++CIP:::incl. packaging:Incoterms 2000'
	SG26	
25	LIN	LIN+1+5+3RP1505-1BP30:SA'
26	PIA	PIA+1+47740124405:IN'
27	IMD	IMD+A+:::92:SE 122 E Sauger:::DE'
28	QTY	QTY+12:15:EA'
29	DTM	DTM+10:20101205:102'
30	MOA	MOA+203:142.95'
31	FTX	FTX+DEL+++Goods are shipped in a pink box as requested+DE'
	SG30	
32	PRI	PRI+AAA:9.53:::1:EA'

No = Consecutive segment number

Sample message

No	Tag	Example
	SG31	
33	RFF	RFF+ON:4500012345:5'
34	DTM	DTM+137:20110106:102'
	SG37	
35	NAD	NAD+CN+++Andreas Stihl AG & CO. KG+Badstraße 115+Waiblingen++71336+DE'
	SG40	
36	CTA	CTA+CN+:Consignee contact'
37	COM	COM+01234-245-1134:TE'
	SG37	
38	NAD	NAD+DP+++Andreas Stihl AG & CO. KG+Badstraße 115+Waiblingen++71336+DE'
	SG40	
39	CTA	CTA+GR+:Goods receving contact person'
40	COM	COM+01234-245-1134:TE'
	SG51	
41	SCC	SCC+1'
	SG52	
42	QTY	QTY+1:15:EA'
43	DTM	DTM+79:20101205:102'
44	UNS	UNS+S'
45	CNT	CNT+2:2'
46	UNT	UNT+42+89'
47	UNZ	UNZ+1+83'

No = Consecutive segment number

Permitted Codes of Data elements

List of permitted codes of data elements / code lists

0001 Syntax identifier

Code	Name/Description
UNOC	UN/ECE level C As defined in ISO 8859-1 : Information processing - Part 1: Latin alphabet No. 1.

0002 Syntax version number

Code	Name/Description
4	Version 4 ISO 9735:1998.

0007 Identification code qualifier

Code	Name/Description
ZZZ	Mutually defined Self explanatory.

0051 Controlling agency, coded

Code	Name/Description
UN	UN/CEFACT United Nations Centre for the Facilitation of procedures and practices for Administration, Commerce and Transport (UN/CEFACT).

0052 Message version number

Code	Name/Description
D	Draft version/UN/EDIFACT Directory Message approved and issued as a draft message (Valid for directories published after March 1993 and prior to March 1997). Message approved as a standard message (Valid for directories published after March 1997).

0054 Message release number

Code	Name/Description
99B	Release 1999 - B Message approved and issued in the second 1999 release of the UNTDID (United Nations Trade Data Interchange Directory).

0065 Message type

Code	Name/Description
ORDRSP	Purchase order response message A code to identify the purchase order response message.

0081 Section identification

Code	Name/Description
S	Detail/summary section separation To qualify the segment UNS, when separating the detail from the summary section of a message.

1000 Document name

Code	Name/Description
PURCHASE ORDER RESPONSE	

1001 Document name code

Code	Name/Description
231	Purchase order response Response to an purchase order already received.

1153 Reference function code qualifier

Code	Name/Description
ON	Order number (purchase) [1022] Reference number assigned by the buyer to an order.
VN	Order number (vendor) Reference number assigned by supplier to a buyer's purchase order.

1225 Message function code

Code	Name/Description
4	Change Message containing items to be changed.
9	Original Initial transmission related to a given transaction.

1229 Action request/notification description code

Code	Name/Description
3	Changed

| The information is to be or has been changed.

5 Accepted without amendment
This line item is entirely accepted by the seller.

10 Not found
This line item is not found in the referenced message.

37 Cancelled
Discontinued.

38 Replaced
Provide a replacement.

2005 Date/time/period function code qualifier

Code	Name/Description
10	Shipment date/time, requested Date on which goods should be shipped or despatched by the supplier.
79	Shipment date/time, promised for Shipment might happen at given date/time.
137	Document/message date/time (2006) Date/time when a document/message is issued. This may include authentication.

2379 Date/time/period format code

Code	Name/Description
102	CCYYMMDD Calendar date: C = Century ; Y = Year ; M = Month ; D = Day.

3035 Party function code qualifier

Code	Name/Description
BY	Buyer (3002) Party to which merchandise is sold.
CN	Consignee (3132) Party to which goods are consigned.
DP	Delivery party (3144) Party to which goods should be delivered, if not identical with consignee.
SU	Supplier (3280) Party which manufactures or otherwise has possession of goods, and consigns or makes them available in trade.

3055 Code list responsible agency code

Code	Name/Description
91	Assigned by seller or seller's agent Self explanatory.

92 Assigned by buyer or buyer's agent
Self explanatory.

3139 Contact function code

Code	Name/Description
CN	Consignee (3132) Party to which goods are consigned.
GR	Goods receiving contact Department/person responsible for receiving the goods at the place of delivery.
PD	Purchasing contact Department/person responsible for issuing this purchase order.
SU	Supplier contact Department/person to be contacted at the supplier.

3155 Communication number code qualifier

Code	Name/Description
EM	Electronic mail Exchange of mail by electronic means.
FX	Telefax Device used for transmitting and reproducing fixed graphic material (as printing) by means of signals over telephone lines or other electronic transmission media.
TE	Telephone Voice/data transmission by telephone.

3207 Country name code

Code	Name/Description
AD	ANDORRA
AE	UNITED ARAB EMIRATES
AF	AFGHANISTAN
AG	ANTIGUA AND BARBUDA
AI	ANGUILLA
AL	ALBANIA
AM	ARMENIA
AN	NETHERLANDS ANTILES
AO	ANGOLA
AQ	ANTARCTICA
AR	ARGENTINA
AS	AMERICAN SAMOA

AT	AUSTRIA
AU	AUSTRALIA
AW	ARUBA
AZ	AZERBAIJAN
BA	BOSNIA AND HERZEGOVINA
BB	BARBADOS
BD	BANGLADESH
BE	BELGIUM
BF	BURKINA FASO
BG	BULGARIA
BH	BAHRAIN
BI	BURUNDI
BJ	BENIN
BM	BERMUDA
BN	BRUNEI DARUSSALAM
BO	BOLIVIA
BR	BRAZIL
BS	BAHAMAS
BT	BHUTAN
BV	BOUVET ISLAND
BW	BOTSWANA
BY	BELARUS
BZ	BELIZE
CA	CANADA
CC	COCOS (KEELING) ISLANDS
CF	CENTRAL AFRICAN REPUBLIC
CG	CONGO
CH	SWITZERLAND
CI	COTE D'IVOIRE
CK	COOK ISLANDS
CL	CHILE
CM	CAMEROON
CN	CHINA
CO	COLOMBIA

CR	COSTA RICA
CU	CUBA
CV	CAPE VERDE
CX	CHRISTMAS ISLAND
CY	CYPRUS
CZ	CZECH REPUBLIC
DE	GERMANY
DJ	DJIBOUTI
DK	DENMARK
DM	DOMINICA
DO	DOMINICAN REPUBLIC
DZ	ALGERIA
EC	ECUADOR
EE	ESTONIA
EG	EGYPT
EH	WESTERN SAHARA
ER	ERITREA
ES	SPAIN
ET	ETHIOPIA
FI	FINLAND
FJ	FIJI
FK	FALKLAND ISLANDS (MALVINAS)
FM	MICRONESIA (FEDERATED STATES OF)
FO	FAROE ISLANDS
FR	FRANCE
FX	FRANCE, METROPOLITAN
GA	GABON
GB	UNITED KINGDOM
GD	GRENADA
GE	GEORGIA
GF	FRENCH GUIANA
GH	GHANA
GI	GIBRALTAR
GL	GREENLAND

GM	GAMBIA
GN	GUINEA
GP	GUADELOUPE
GQ	EQUATORIAL GUINEA
GR	GREECE
GS	SOUTH GEORGIA AND THE SOUTH SANDWICH ISLANDS
GT	GUATEMALA
GU	GUAM
GW	GUINEA-BISSAU
GY	GUYANA
HK	HONG KONG
HM	HEARD AND MC DONALD ISLANDS
HN	HONDURAS
HR	CROATIA
HT	HAITI
HU	HUNGARY
ID	INDONESIA
IE	IRELAND
IL	ISRAEL
IN	INDIA
IO	BRITISH INDIAN OCEAN TERRITORY
IQ	IRAQ
IR	IRAN (ISLAMIC REPUBLIC OF)
IS	ICELAND
IT	ITALY
JM	JAMAICA
JO	JORDAN
JP	JAPAN
KE	KENYA
KG	KYRGYZSTAN
KH	CAMBODIA
KI	KIRIBATI
KM	COMOROS
KN	SAINT KITTS AND NEVIS

KP	KOREA, DEMOCRATIC PEOPLE'S REPUBLIC OF
KR	KOREA, REPUBLIC OF
KW	KUWAIT
KY	CAYMAN ISLANDS
KZ	KAZAKHSTAN
LA	LAO PEOPLE'S DEMOCRATIC REPUBLIC
LB	LEBANON
LC	SAINT LUCIA
LI	LIECHTENSTEIN
LK	SRI LANKA
LR	LIBERIA
LS	LESOTHO
LT	LITHUANIA
LU	LUXEMBOURG
LV	LATVIA
LY	LIBYAN ARAB JAMAHIRIYA
MA	MOROCCO
MC	MONACO
MD	MOLDOVA
MG	MADAGASCAR
MH	MARSHALL ISLANDS
MK	MACEDONIA, THE FORMER YUGOSLAV REPUBLIC OF
ML	MALI
MM	MYANMAR
MN	MONGOLIA
MO	MACAU
MP	NORTHERN MARIANA ISLANDS
MQ	MARTINIQUE
MR	MAURITANIA
MS	MONTSERRAT
MT	MALTA
MU	MAURITIUS
MV	MALDIVES
MW	MALAWI

MX	MEXICO
MY	MALAYSIA
MZ	MOZAMBIQUE
NA	NAMIBIA
NC	NEW CALEDONIA
NE	NIGER
NF	NORFOLK ISLAND
NG	NIGERIA
NI	NICARAGUA
NL	NETHERLANDS
NO	NORWAY
NP	NEPAL
NR	NAURU
NU	NIUE
NZ	NEW ZEALAND
OM	OMAN
PA	PANAMA
PE	PERU
PF	FRENCH POLYNESIA
PG	PAPUA NEW GUINEA
PH	PHILIPPINES
PK	PAKISTAN
PL	POLAND
PM	ST. PIERRE AND MIQUELON
PN	PITCAIRN
PR	PUERTO RICO
PT	PORTUGAL
PW	PALAU
PY	PARAGUAY
QA	QATAR
RE	REUNION
RO	ROMANIA
RU	RUSSIA
RW	RWANDA

SA	SAUDI ARABIA
SB	SOLOMON ISLANDS
SC	SEYCHELLES
SD	SUDAN
SE	SWEDEN
SG	SINGAPORE
SH	ST. HELENA
SI	SLOVENIA
SJ	SVALBARD AND JAN MAYEN ISLANDS
SK	SLOVAKIA (SLOVAK REPUBLIC)
SL	SIERRA LEONE
SM	SAN MARINO
SN	SENEGAL
SO	SOMALIA
SR	SURINAME
ST	SAO TOME AND PRINCIPE
SV	EL SALVADOR
SY	SYRIAN ARAB REPUBLIC
SZ	SWAZILAND
TC	TURKS AND CAICOS ISLANDS
TD	CHAD
TF	FRENCH SOUTHERN TERRITORIES
TG	TOGO
TH	THAILAND
TJ	TAJIKISTAN
TK	TOKELAU
TM	TURKMENISTAN
TN	TUNISIA
TO	TONGA
TP	EAST TIMOR
TR	TURKEY
TT	TRINIDAD AND TOBAGO
TV	TUVALU
TW	TAIWAN, PROVINCE OF CHINA

TZ	TANZANIA, UNITED REPUBLIC OF
UA	UKRAINE
UG	UGANDA
UM	UNITED STATES MINOR OUTLYING ISLANDS
US	UNITED STATES
UY	URUGUAY
UZ	UZBEKISTAN
VA	VATICAN CITY STATE (HOLY SEE)
VC	SAINT VINCENT AND THE GRENADINES
VE	VENEZUELA
VG	VIRGIN ISLANDS (BRITISH)
VI	VIRGIN ISLANDS (U.S.)
VN	VIET NAM
VU	VANUATU
WF	WALLIS AND FUTUNA ISLANDS
WS	SAMOA
YE	YEMEN
YT	MAYOTTE
YU	YUGOSLAVIA
ZA	SOUTH AFRICA
ZM	ZAMBIA
ZR	ZAIRE
ZW	ZIMBABWE

3453 Language name code

Code	Name/Description
DE	German
EN	English
PT	Portuguese

4017 Delivery plan commitment level code

Code	Name/Description
1	Firm Indicates that the scheduling information is a firm commitment.

4053 Delivery or transport terms description code

Code	Name/Description
1	Delivery arranged by the supplier Indicates that the supplier will arrange delivery of the goods.
2	Delivery arranged by logistic service provider Code indicating that the logistic service provider has arranged the delivery of goods.
CFR	Cost & Freight
CIF	Cost, Insurance, Freight to named destination
CIP	Freight, Carriage, Insurance to destination
CPT	Freight, Carriage paid to destination
DAF	Delivery at frontier - Named place
DDP	Delivered duty paid to destination
DDU	Delivered duty unpaid to destination
DEQ	Delivered Ex Quay - Duty paid, Named port
DES	Delivered Ex ship - Named port of destination
EXW	Ex works
FAS	Free alongside ship
FCA	Free carrier - Named point
FOA	FOB Airport - Named airport of departure
FOB	Free on Board - Named port of shipment
FOR	Free on Rail - Named departure point

4055 Terms of delivery or transport function, coded

Code	Name/Description
6	Delivery condition Specifies the conditions under which the goods must be delivered to the consignee.

4347 Product id. function qualifier

Code	Name/Description
1	Additional identification Information which specifies and qualifies product identifications.
6	Successor product id Product id of the product that will follow the one currently in production/trade.

4451 Text subject code qualifier

Code	Name/Description
------	------------------

AAA Goods description
[7002] Plain language description of the nature of the goods sufficient to identify them at the level required for banking, Customs, statistical or transport purposes, avoiding unnecessary detail (Generic term).

AAI General information
Self explanatory.

DEL Delivery information
Information about delivery.

5025 Monetary amount type code qualifier

Code	Name/Description
203	Line item amount Goods item total minus allowances plus charges for line item. See also Code 66.

5125 Price qualifier

Code	Name/Description
AAA	Calculation net The price stated is the net price including allowances/ charges. Allowances/charges may be stated for information only.

6063 Quantity type code qualifier

Code	Name/Description
1	Discrete quantity Self explanatory.
12	Despatch quantity Quantity despatched by the seller.
21	Ordered quantity The quantity which has been ordered.
53	Minimum order quantity Self explanatory.
70	Cumulative quantity received Cumulative quantity of all deliveries of this article received by the buyer.
83	Backorder quantity Self explanatory.

6069 Control total type code qualifier

Code	Name/Description
2	Number of line items in message Self-explanatory.

6343 Currency qualifier

Code	Name/Description
9	Order currency The name or symbol of the monetary unit used in an order.

6345 Currency identification code

Code	Name/Description
CHF	Swiss Franc
EUR	Euro On 1 January 1999, the euro will become the currency of those Member states of the European Union which adopt the single currency in accordance with the Treaty establishing the European Community. This code has been issued now so that technical preparations can be started. The code element 'EU' has been reserved by the ISO 3166 Maintenance Agency for use within ISO 4217 where 'R' has been appended to make an acceptable mnemonic code.
USD	US Dollar

6347 Currency details qualifier

Code	Name/Description
2	Reference currency The currency applicable to amounts stated. It may have to be converted.

6411 Measurement unit code

Code	Name/Description
EA	each

7077 Item description type, coded

Code	Name/Description
A	Free-form long description Long description of an item in free form.

7143 Item type identification code

Code	Name/Description
IN	Buyer's item number Self explanatory.
SA	Supplier's article number Number assigned to an article by the supplier of that article.

8051 Transport stage code qualifier

Code	Name/Description
20	Main-carriage transport The primary stage in the movement of cargo from the point of origin to the intended destination.

8067 Transport mode name code

Code	Name/Description
1	Maritime transport This code should be used whenever the transport vehicle completes any part of its journey by sea.
2	Rail transport
3	Road transport
4	Air transport
5	Mail (Actual mode of transport unknown) - This code is provided for practical reasons, despite the fact that mail is not a genuine mode of transport. In many countries, the value of merchandise exported by mail is considerable, but the exporter or importer concerned would be unable to state by which mode postal items had passed the national border.
21	Rail express
41	Air mail / express
50	Parcel service (Actual mode of transport unknown) - This code is provided for practical reasons, despite the fact that mail is not a genuine mode of transport. In many countries, the value of merchandise exported by mail is considerable, but the exporter or importer concerned would be unable to state by which mode postal items had passed the national border.
51	Parcel service express

8179 Transport means description code

Code	Name/Description
1	Barge chemical tanker A barge equipped to transport liquid chemicals.
2	Coaster chemical tanker A coaster vessel equipped to transport liquid chemicals.
3	Dry bulk carrier Self explanatory.
4	Deep sea chemical tanker An ocean-going vessel equipped to transport liquid chemicals.
5	Gas tanker A vessel equipped to transport gas.
6	Aircraft A machine capable of flight.
7	Car with caravan A caravan towed by a car.

8	Container ship Vessel capable of carrying containers and other cargo.
9	Exceptional transport Transport for which common characteristics are not applicable (e.g. big transformers requiring special wagons, special tackles, special routing etc.).
10	Bus To specify that the means of transportation is a bus.
11	Ship A large vessel navigating deep water.
12	Ship tanker A large vessel equipped to transport liquids.
13	Ocean vessel An ocean-going vessel that is not a ship.
14	Flatbed trailer A means of transport identification code indicating a flatbed trailer.
15	Taxi A means of transport identification code indicating a taxi.
16	Barge A category of boat used to transport material over water.
17	Customer determined means of transport The type of means of transport is to be determined by the customer.
18	Seller determined means of transport The type of means of transport is to be determined by the seller.
19	Tip-up truck A truck capable of tipping up in order to deliver its load.
20	Furniture truck A truck used explicitly for the conveyance of furniture.
21	Rail tanker A rail wagon equipped to transport liquids.
22	Rail silo tanker Self explanatory.
23	Rail bulk car A rail wagon equipped to transport bulk cargo.
24	Customer rail tanker A customer-owned rail wagon equipped to transport liquids.
25	Rail express Description to be provided.
26	Tip-up articulated truck An articulated truck capable of tipping up in order to deliver its load.
27	Rigid truck with tank A rigid truck fitted with a tank capable of carrying liquids or bulk goods.
28	Refrigerated truck and trailer A combined truck and trailer equipped to maintain refrigerated temperatures.
29	Freezer truck and trailer

	A combined truck and trailer equipped to maintain freezing temperatures.
30	Tautliner 25 tonne, combined with 90 cubic meter trailer with removable roof A truck with non-ridged sides, 25 tonne capacity combined with a 90 cubic meter trailer with removable roof.
31	Truck An automotive vehicle for hauling goods.
32	Road tanker An over-the-road tank trucker or trailer.
33	Road silo tanker Description to be provided.
34	Tautliner truck A truck with non-ridged sides.
35	Truck/trailer with tilt A truck and trailer combination with a tilting capability.
36	Pipeline A line of pipes for conveying water, gas, oil, etc.
37	Hydrant cart Vehicle used at large airports with installed distribution systems to make into-plane deliveries of fuel; distinguished from other types of fuelling vehicles.
38	Car Car.
39	Tautliner truck with removable roof A truck with non-ridged sides and removable roof.
40	Truck with opening floor A truck with an opening floor mechanism which is used to discharge the cargo.
41	Freezer truck A truck equipped to maintain freezing temperatures.
42	Isothermic truck A truck equipped to maintain controlled temperatures.
43	Refrigerated truck A truck equipped to maintain refrigerated temperatures.
44	Freezer van A small rigid covered vehicle for conveying frozen goods.
45	Isothermic van A small rigid covered vehicle for conveying temperature controlled goods.
46	Refrigerated van A small rigid covered vehicle for conveying refrigerated goods.
47	Bulk truck A truck suitable for transporting bulk goods.
48	Van A small vehicle suitable for carrying small volume loads.
49	Roadrailer Used for shipments that travel by multimodal rail or highway trailer (roadrailer).
50	Passenger vessel Vessel for carrying passengers.

51	Cargo and passenger vessel Vessel for carrying cargo and passengers.
52	General cargo vessel Vessel for carrying general cargo.
53	Crude oil tanker Vessel for carrying crude oil.
54	Liquefied Petroleum Gas (LPG) carrier Vessel for carrying Liquefied Petroleum Gas (LPG).
55	Liquefied Natural Gas (LNG) carrier Vessel for carrying Liquefied Natural Gas (LNG).
56	Grain carrier Vessel for carrying grain.
57	Timber or log carrier Vessel for carrying timber or logs.
58	Wood chip carrier Vessel for carrying wood chips.
59	Steel products vessel Vessel for carrying steel products.
60	Gravel vessel Vessel for carrying gravel.
61	Cement vessel Vessel for carrying cement in bulk.
62	Coal vessel Vessel for carrying coal.
63	Ore carrier Vessel for carrying ore in bulk.
64	Car carrier Vessel for carrying complete cars and/or their knock-down parts.
65	Container only vessel Vessel for carrying containers only.
66	Roll on - roll off vessel A vessel capable of carrying roll on - roll off cargo.
67	Ferry A means of transport for carrying passengers and/or vehicles on a regular basis.
68	Fishing vessel Vessel used in the catching of fish.
69	Work vessel A vessel engaged in "port and harbour work", which means construction, improvement, maintenance or rehabilitation of port and harbour facilities. Dredger, floating crane, sand carrier with grab bucket are included in this type of the means of transport.
70	Patrol vessel A vessel to patrol port or coastal area.
71	Tug and/or push boat A vessel to push and/or pull other vessels.

72	Train with one wagon A train with a single wagon used to carry goods.
73	Train with more than one and less than 20 wagons A train with more than one and less than 20 wagons used to carry goods.
74	Train with 20 or more wagons A train with 20 or more wagons used to carry goods.